

MULTINOX-VE+

VERTICAL MULTISTAGE CENTRIFUGAL PUMPS

High hydraulic efficiency, strong and resistant

The MULTINOX-VE+ series vertical multi-stage centrifugal pumps are particularly suitable for the realization of lifting units, especially in the cases where high efficiency and silence are required, with compact dimensions.

USAGE DATA

- Type of liquid: clean water without suspended solids or abrasive material.
- Maximum temperature of the liquid 50°C.
- Maximum suction height recommended 6 m with foot valve.
- Maximum operating pressure: 9 bar
- 12 bar (version MULTINOX-VE+ 4-90 e 6-90)
- 16 bar (version MULTINOX-VE+ 4-120)
- 20 bar (version MULTINOX-VE+ 8-90 e 8-120)

APPLICATIONS

- Lifting and distribution of water in domestic systems in continuous or intermittent operation.
- Pressurization systems.
- Fire prevention systems.
- Washing, irrigation, gardens, fountains.

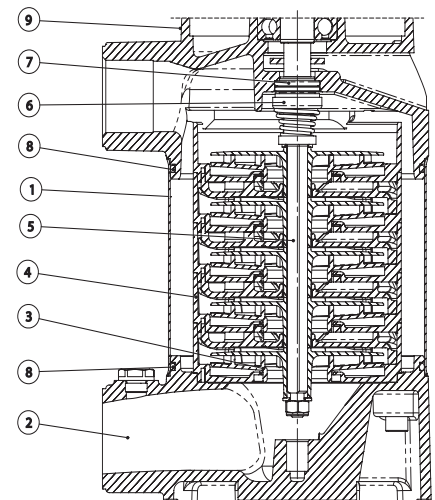
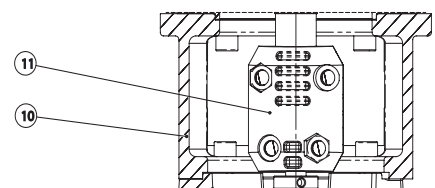
MOTOR

- Closed, ventilated from outside.
- Degree of protection:
IP44: MULTINOX-VE+ 8-30 a 8-70.
IP55: MULTINOX-VE+ 8-90 e 8-120
- Insulation class F.
- Motor efficiency:
IE2: MULTINOX-VE+ 8-30 a 8-70
IE3: MULTINOX-VE+ 8-90 e 8-120.
- Single-phase power supply with capacitor permanently on and thermal protection built into the motor casing.
- Three-phase power supply with external protection provided by the user.
- Speed of rotation 2850 rpm.
- Continuous service.



TABLE OF MATERIALS

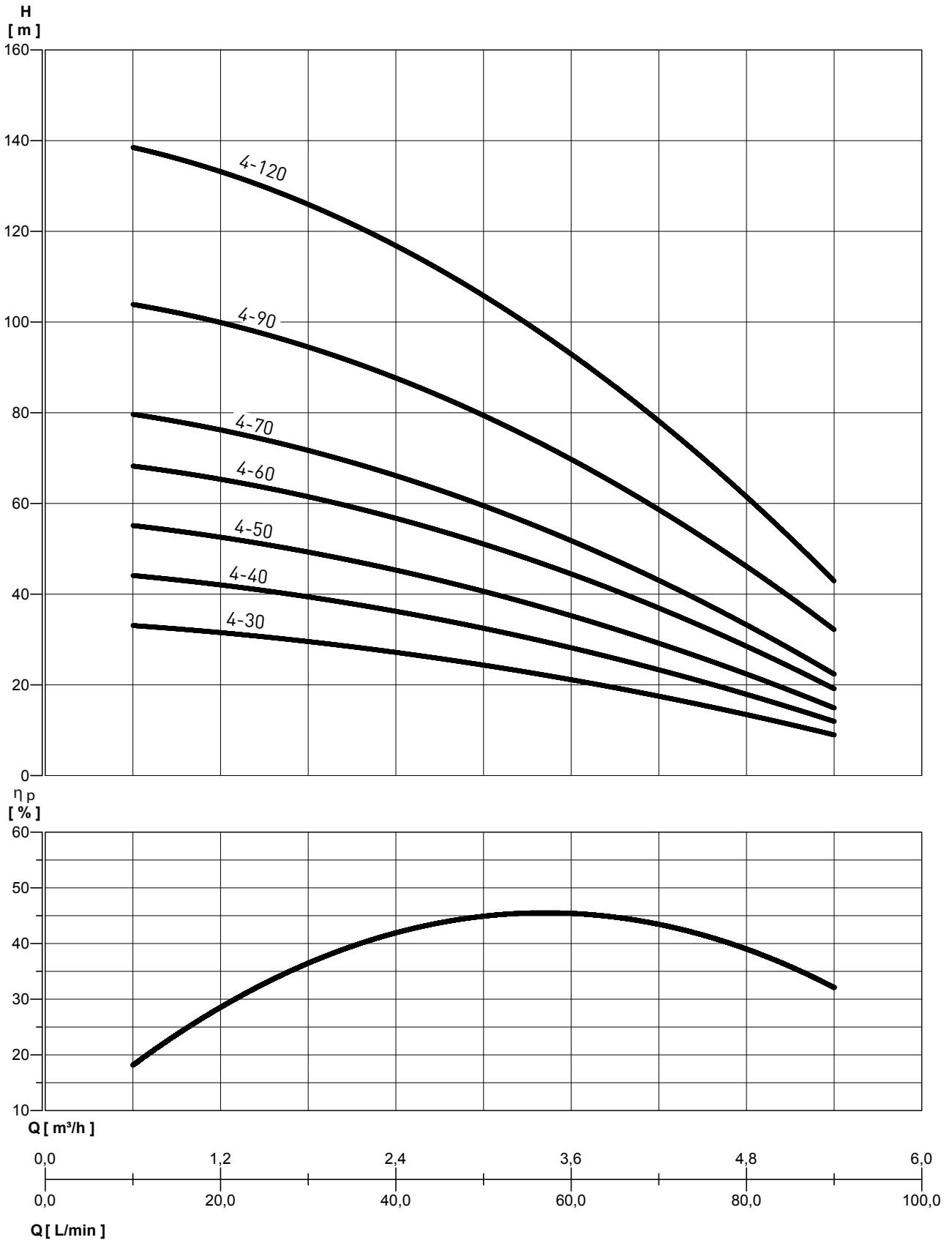
Component	Material
1 Sleeve (pump body)	Stainless steel EN 10088-1- X5 CrNi 1810 (AISI 304)
2 Intake flange	Cast iron EN GJL 200
3 Impellers	Technopolymer
4 Diffusers:	Technopolymer
5 Shaft (hydraulic part)	Stainless steel EN 10088-1- X5 CrNi 1810 (AISI 304)
6 Mechanical seal	Graphite/Silicon Carbide for MULTINOX-VE+ 8-90 and 8-120
7 Counterface	Aluminium Oxide / Graphite for MULTINOX-VE+ 8-90 and 8-120
8 Gaskets	Nitrile-Butadiene Rubber (NBR)
9 Motor support supply flange	Cast iron EN GJL 200
10 Motor bell	Cast iron EN GJL 200
11 Motor coupling	Aluminium alloy



MULTINOX-VE+

VERTICAL MULTISTAGE CENTRIFUGAL PUMPS

HYDRAULIC PERFORMANCE



Hydraulic performance in accordance with ISO 9906:2012 - Curves at 2900 rpm

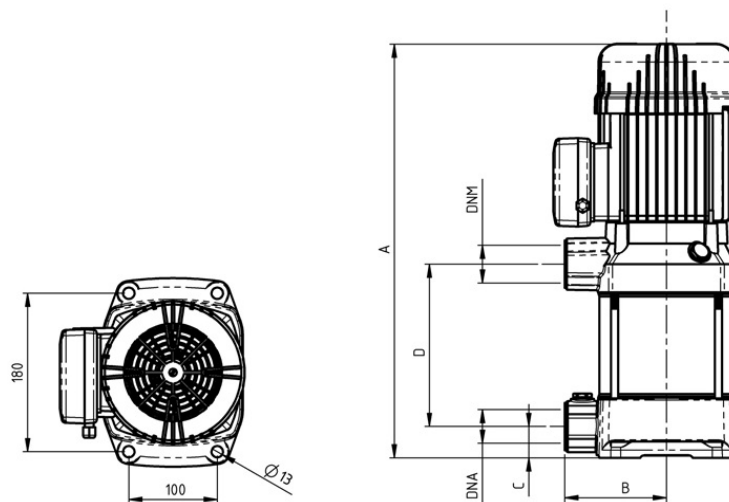
MEI ≥ 0.4 - Reference MEI ≥ 0.70 - The information on the reference efficiency is available at the address: www.europump.org/efficiencycharts

MULTINOX-VE+

VERTICAL MULTISTAGE CENTRIFUGAL PUMPS

PERFORMANCE TABLE

MODEL	Motor power (P2)		Motor power (P1)		VOLT. (V)	In (A)	μF	0	m.c.w.							
	HP	kW	HP	kW					l/min	10	30	40	50	60	70	90
									m ³ /h	0,6	1,8	2,4	3	3,6	4,2	5,4
MULTINOX VE+ 4-30 M MULTINOX VE+ 4-30 T	0,68	0,5	1,2 1	0,86 0,73	1~230 3~230/400	3,6 2,6-1,5	20		33	30	27	24	21	17	9	
MULTINOX VE+ 4-40 M MULTINOX VE+ 4-40 T	0,91	0,67	1,4 1,3	1 0,97	1~230 3~230/400	4,4 3,1-1,8	20		44	40	36	32	28	23	12	
MULTINOX VE+ 4-50 M MULTINOX VE+ 4-50 T	1,1	0,84	1,8 1,6	1,3 1,16	1~230 3~230/400	5,3 4-2,3	20		55	50	45	41	35	29	15	
MULTINOX VE+ 4-60 M MULTINOX VE+ 4-60 T	1,4	1	2 1,9	1,5 1,4	1~230 3~230/400	6,6 4,3-2,5	25		68	62	57	51	44	37	19	
MULTINOX VE+ 4-70 M MULTINOX VE+ 4-70 T	1,6	1,17	2,4 2,3	1,8 1,7	1~230 3~230/400	7,7 5-2,8	25		79	72	67	59	51	43	22	
MULTINOX VE+ 4-90 T	2	1,5	2,6	1,9	3~230/400	7,1-4			104	95	88	79	69	59	32	
MULTINOX VE+ 4-120 T	3	2	3,7	2,7	3~230/400	8,5-4,8			138	127	117	105	92	78	43	



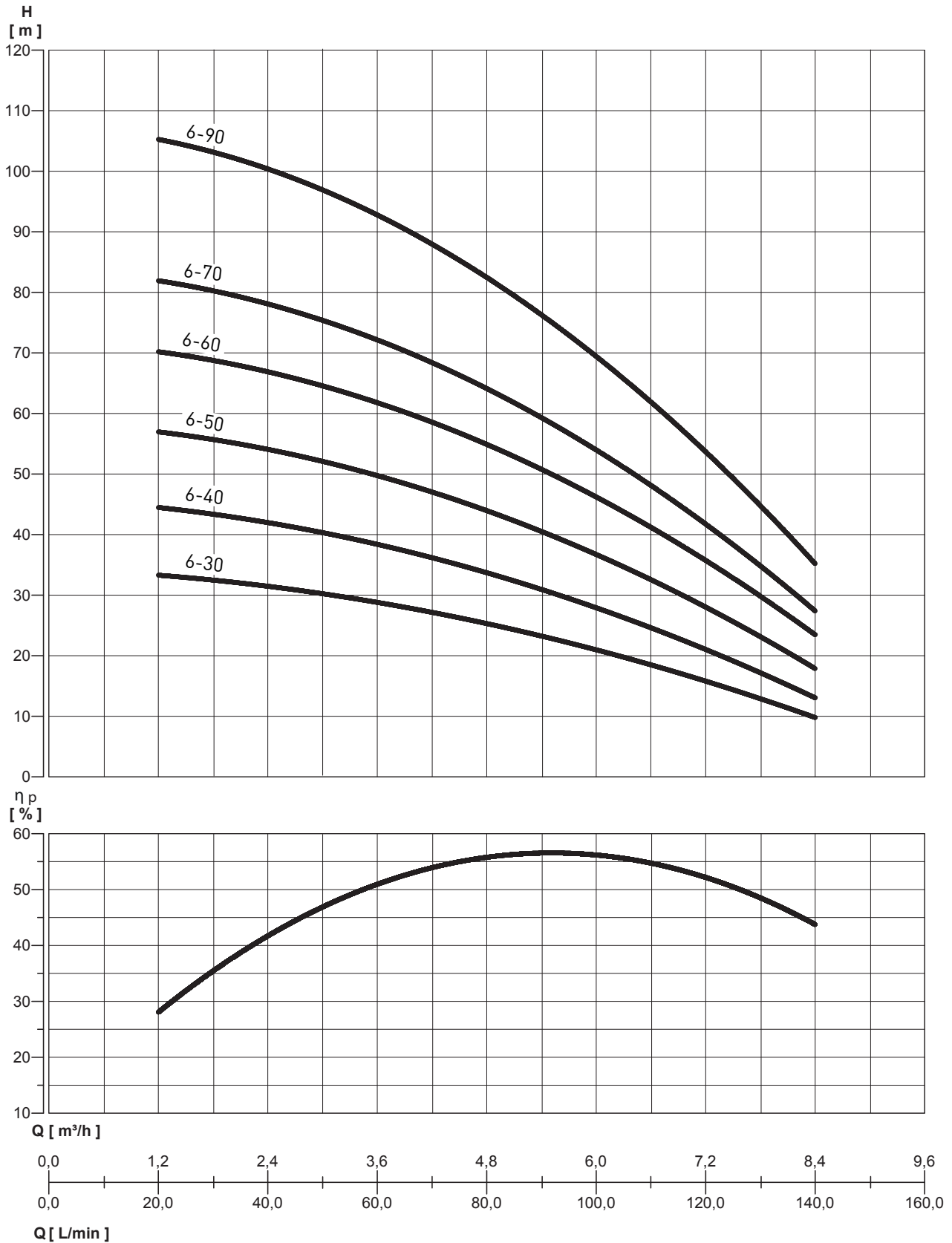
OVERALL DIMENSIONS AND WEIGHTS

MODEL	Dimensions (mm)						WEIGHT (Kg)
	A	B	C	D	DNA	DNM	
MULTINOX VE+ 4-30	416	115	35	130	1" 1/4	1" 1/4	19
MULTINOX VE+ 4-40	443	115	35	157	1" 1/4	1" 1/4	21
MULTINOX VE+ 4-50	470	115	35	184	1" 1/4	1" 1/4	23
MULTINOX VE+ 4-60	497	115	35	211	1" 1/4	1" 1/4	25
MULTINOX VE+ 4-70	524	115	35	238	1" 1/4	1" 1/4	27
MULTINOX VE+ 4-90	578	115	35	292	1" 1/4	1" 1/4	28
MULTINOX VE+ 4-120	660	115	35	373	1" 1/4	1" 1/4	30

MULTINOX-VE+

VERTICAL MULTISTAGE CENTRIFUGAL PUMPS

HYDRAULIC PERFORMANCE



Hydraulic performance in accordance with ISO 9906:2012 - Curves at 2900 rpm

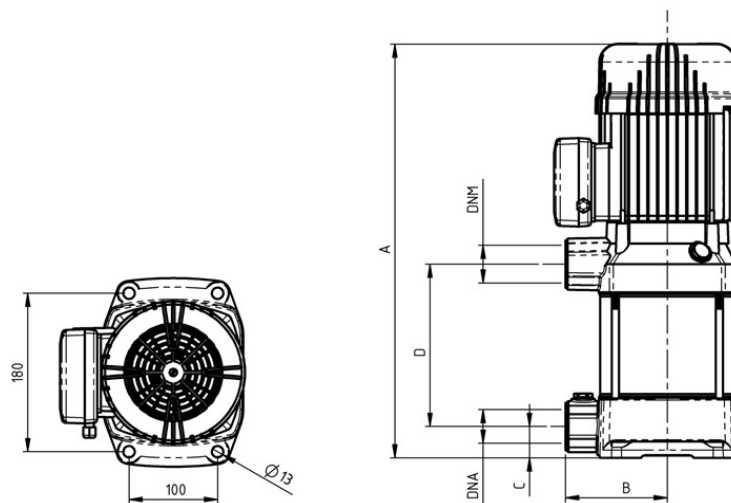
MEI ≥ 0.7 - Reference MEI ≥ 0.70 - The information on the reference efficiency is available at the address: www.europump.org/efficiencycharts

MULTINOX-VE+

VERTICAL MULTISTAGE CENTRIFUGAL PUMPS

PERFORMANCE TABLE

MODEL	Motor power (P2)		Motor power (P1)		VOLT. (V)	In (A)	μF	0	m.c.w.							
	HP	kW	HP	kW					l/min	20	40	60	80	100	120	140
									m³/h	1,2	2,4	3,6	4,8	6	7,2	8,4
MULTINOX VE+ 6-30 M MULTINOX VE+ 6-30 T	0,9	0,67	1,4	1	1~230 3~230/400	4,4 3,1-1,8	20		34	31	28	26	21	16	10	
MULTINOX VE+ 6-40 M MULTINOX VE+ 6-40 T	1,2	0,9	1,9	1,36	1~230 3~230/400	6,4 2,3-4	25		45	41	38	34	28	21	13	
MULTINOX VE+ 6-50 M MULTINOX VE+ 6-50 T	1,50	1,1	2,2	1,6	1~230 3~230/400	7 4,7-2,6	35		58	53	49	44	37	28	17	
MULTINOX VE+ 6-60 M MULTINOX VE+ 6-60 T	1,8	1,3	2,6	1,9	1~230 3~230/400	8 5,3-3	35		71	66	61	55	47	36	23	
MULTINOX VE+ 6-70 T	2	1,5	2,7	2	3~230/400	7,2-3,8			83	77	71	64	55	42	27	
MULTINOX VE+ 6-90 T	3	2	3,5	2,6	3~230/400	8,2-4,5			107	99	92	83	71	54	34	



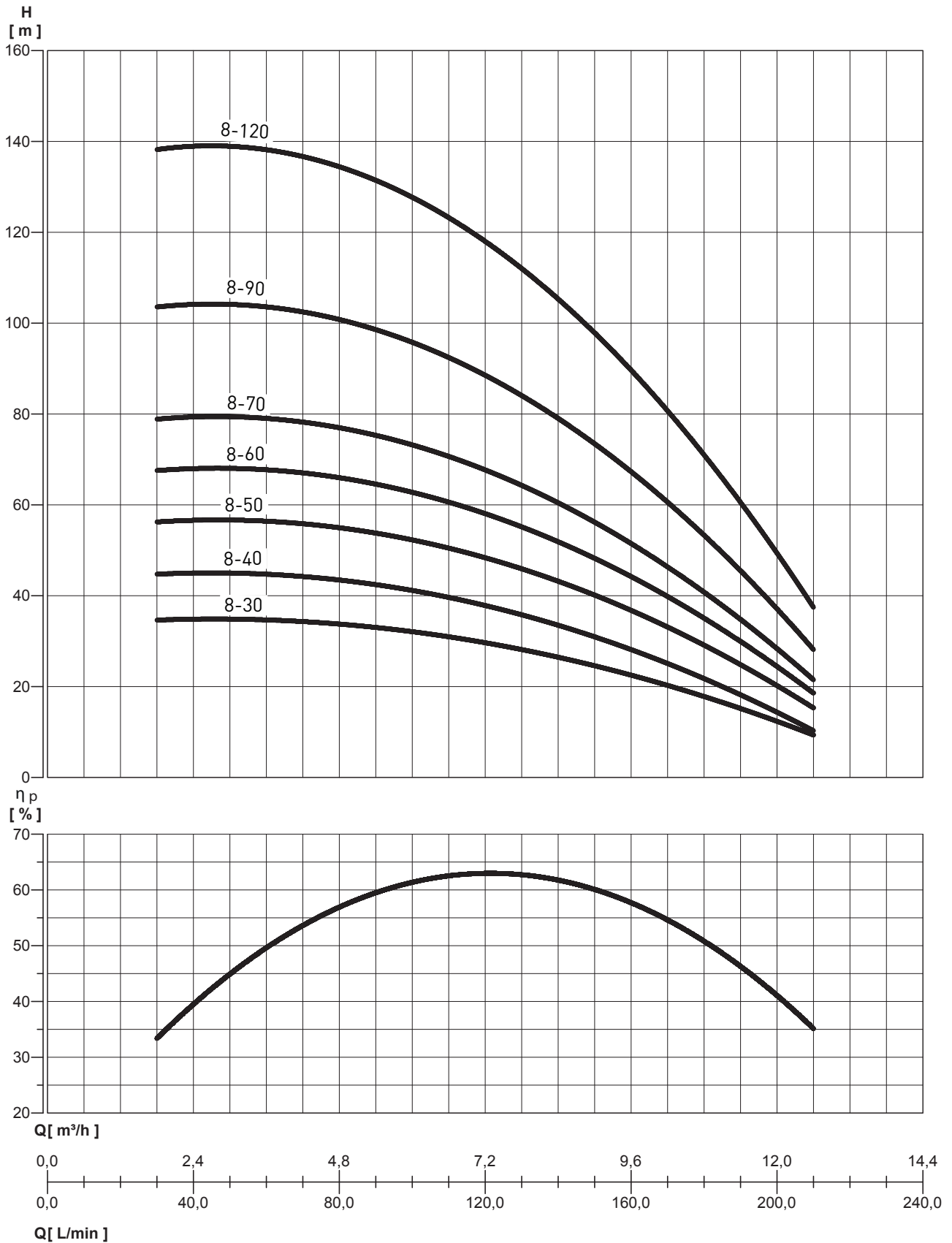
OVERALL DIMENSIONS AND WEIGHTS

MODEL	Dimensions (mm)						WEIGHT (Kg)
	A	B	C	D	DNA	DNM	
MULTINOX VE+ 6-30	416	115	35	130	1" 1/4	1" 1/4	19
MULTINOX VE+ 6-40	443	115	35	157	1" 1/4	1" 1/4	21
MULTINOX VE+ 6-50	470	115	35	184	1" 1/4	1" 1/4	23
MULTINOX VE+ 6-60	497	115	35	211	1" 1/4	1" 1/4	25
MULTINOX VE+ 6-70	524	115	35	238	1" 1/4	1" 1/4	27
MULTINOX VE+ 6-90	578	115	35	292	1" 1/4	1" 1/4	28

MULTINOX-VE+

VERTICAL MULTISTAGE CENTRIFUGAL PUMPS

HYDRAULIC PERFORMANCE



Hydraulic performance in accordance with ISO 9906:2012 - Curves at 2900 rpm

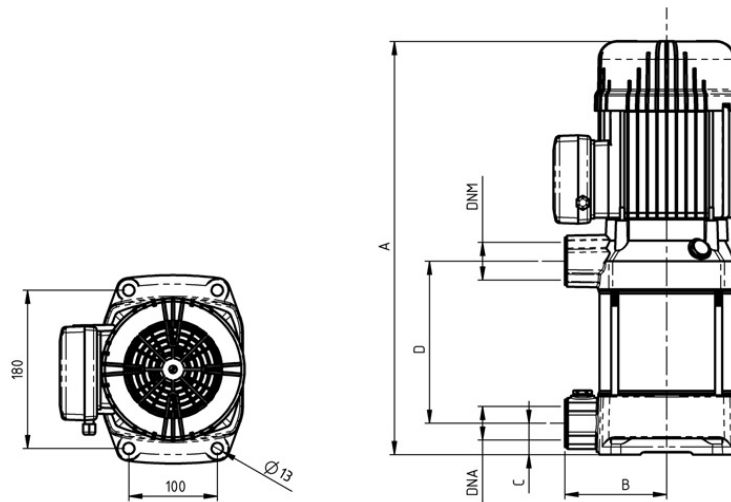
MEI ≥ 0.7 - Reference MEI ≥ 0.70 - The information on the reference efficiency is available at the address: www.europump.org/efficiencycharts

MULTINOX-VE+

VERTICAL MULTISTAGE CENTRIFUGAL PUMPS

PERFORMANCE TABLE

MODEL	Motor power (P2)		Motor power (P1)		VOLT. (V)	In (A)	μF	Q	l/min	30	60	90	120	150	180	210
	HP	kW	HP	kW						m³/h	1,8	3,6	5,4	7,2	9	10,8
MULTINOX VE+ 8-30 M MULTINOX VE+ 8-30 T	1,35	1	1,9	1,4	1 ~ 230 3 ~ 230/400	6,3 4-2,3	20			35	35	33	30	25	18	10
MULTINOX VE+ 8-40 M MULTINOX VE+ 8-40 T	1,6	1,2	2,3	1,7	1 ~ 230 3 ~ 230/400	7,8 5,7-3,3	25			45	44	42	39	32	20	11
MULTINOX VE+ 8-50 M MULTINOX VE+ 8-50 T	2	1,5	3	2,2	1 ~ 230 3 ~ 230/400	9,5 6-3,7	35	m.c.w.		57	56	53	50	40	28	16
MULTINOX VE+ 8-60 T	2,3	1,7	3,3	2,4	3 ~ 230/400	6,7-4,7			68	67	64	60	48	34	19	
MULTINOX VE+ 8-70 T	2,5	1,9	3,4	2,5	3 ~ 230/400	7-4,9			80	78	74	70	56	40	22	
MULTINOX VE+ 8-90 T	4	3	4,4	3,2	3 ~ 230/400	10,2-5,9			104	103	98	90	73	52	29	
MULTINOX VE+ 8-120 T	5,5	4	6,2	4,6	3 ~ 230/400	13,5-7,6			139	138	131	120	98	70	38	



OVERALL DIMENSIONS AND WEIGHTS

MODEL	Dimensions (mm)						WEIGHT (Kg)
	A	B	C	D	DNA	DNM	
MULTINOX VE+ 8-30	416	115	35	130	1" 1/4	1" 1/4	19
MULTINOX VE+ 8-40	443	115	35	157	1" 1/4	1" 1/4	21
MULTINOX VE+ 8-50	470	115	35	184	1" 1/4	1" 1/4	23
MULTINOX VE+ 8-60	497	115	35	211	1" 1/4	1" 1/4	25
MULTINOX VE+ 8-70	524	115	35	238	1" 1/4	1" 1/4	27
MULTINOX VE+ 8-90	730	115	35	292	1" 1/4	1" 1/4	36
MULTINOX VE+ 8-120	855	115	35	373	1" 1/4	1" 1/4	39