

## MULTI EVO-E MULTISTAGE CENTRIFUGAL PUMPS WITH INVERTER

The system consists of a multi-stage centrifugal horizontal pump Multi EVO-E and an electronic control system (inverter) which allows to keep the pressure constant in the system, reducing or increasing the speed of rotation of the pump.

All models are certified for use with drinking water (ACS and DM174)

### ADVANTAGES

The series Multi EVO-E pumps feature the following advantages:

- High reliability - thanks to the durable and innovative design
- Silent - more comfort for the user thanks to its silent operation
- Compact shape
- Many possible uses for the residential market
- Excellent priming ability



### SPECIFICATIONS:

#### PUMP

- Hydraulic performance according to ISO 9906:2012 - Grade 3B
- Type of liquid: clean water without suspended solids or abrasive material
- Maximum temperature of the liquid 50°C
- Maximum operating pressure 8 bar
- Maximum intake height recommended 6m with foot valve

#### MOTOR

- Closed, air ventilated (TEFC)
- 2 poles, 50 Hz (n=2850 rpm)
- IE3 three-phase AC (P2 ≥ 0.75 kW)
- Protection level: IP55
- Insulation class: F
- Maximum ambient temperature 40°C
- Single-phase power supply



### APPLICATIONS

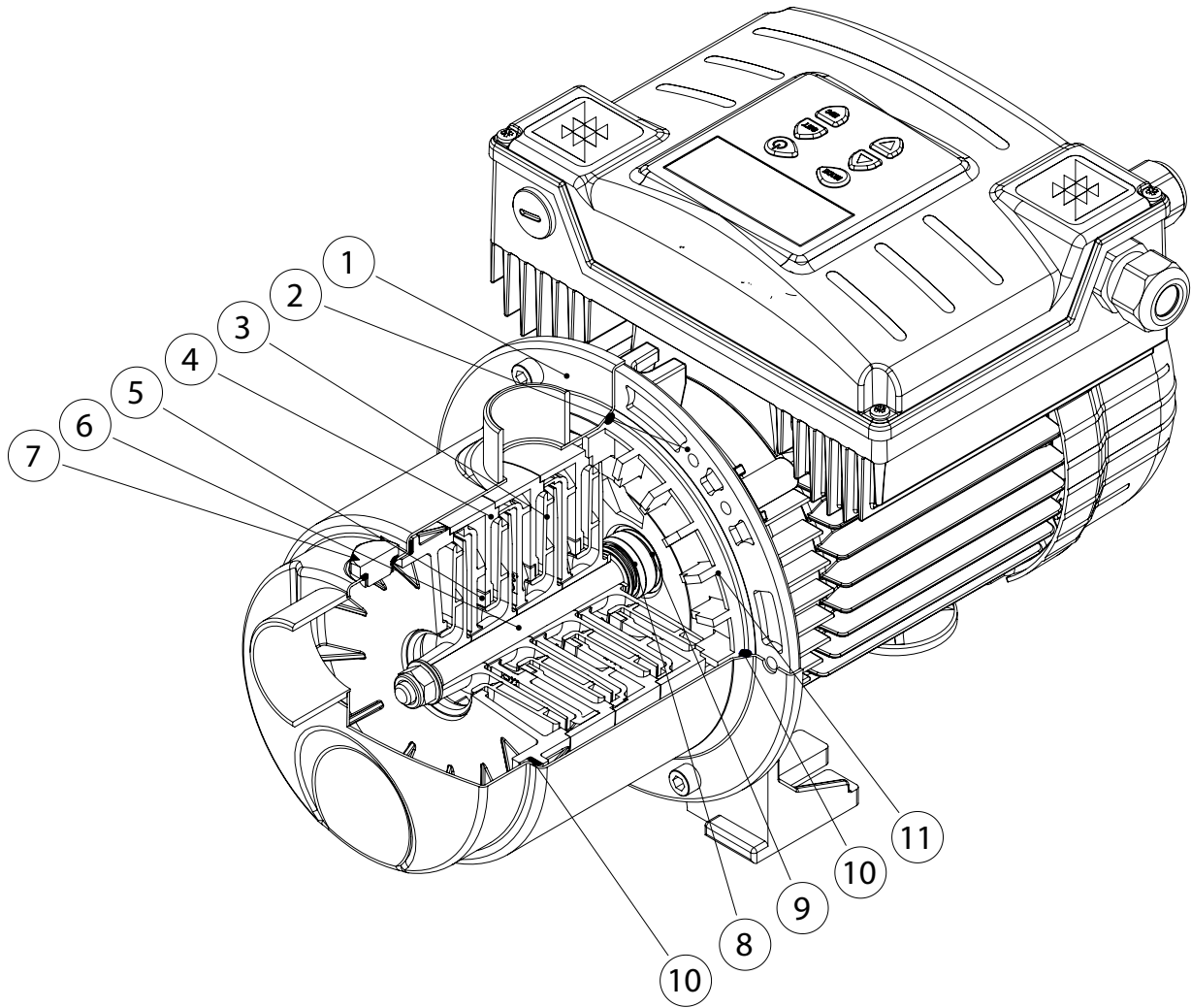
- Pressurising and supply
- Irrigation
- Use of rainwater
- Washing systems



# MULTI EVO-E

## MULTISTAGE CENTRIFUGAL PUMPS WITH INVERTER

### CONSTRUCTION FEATURES



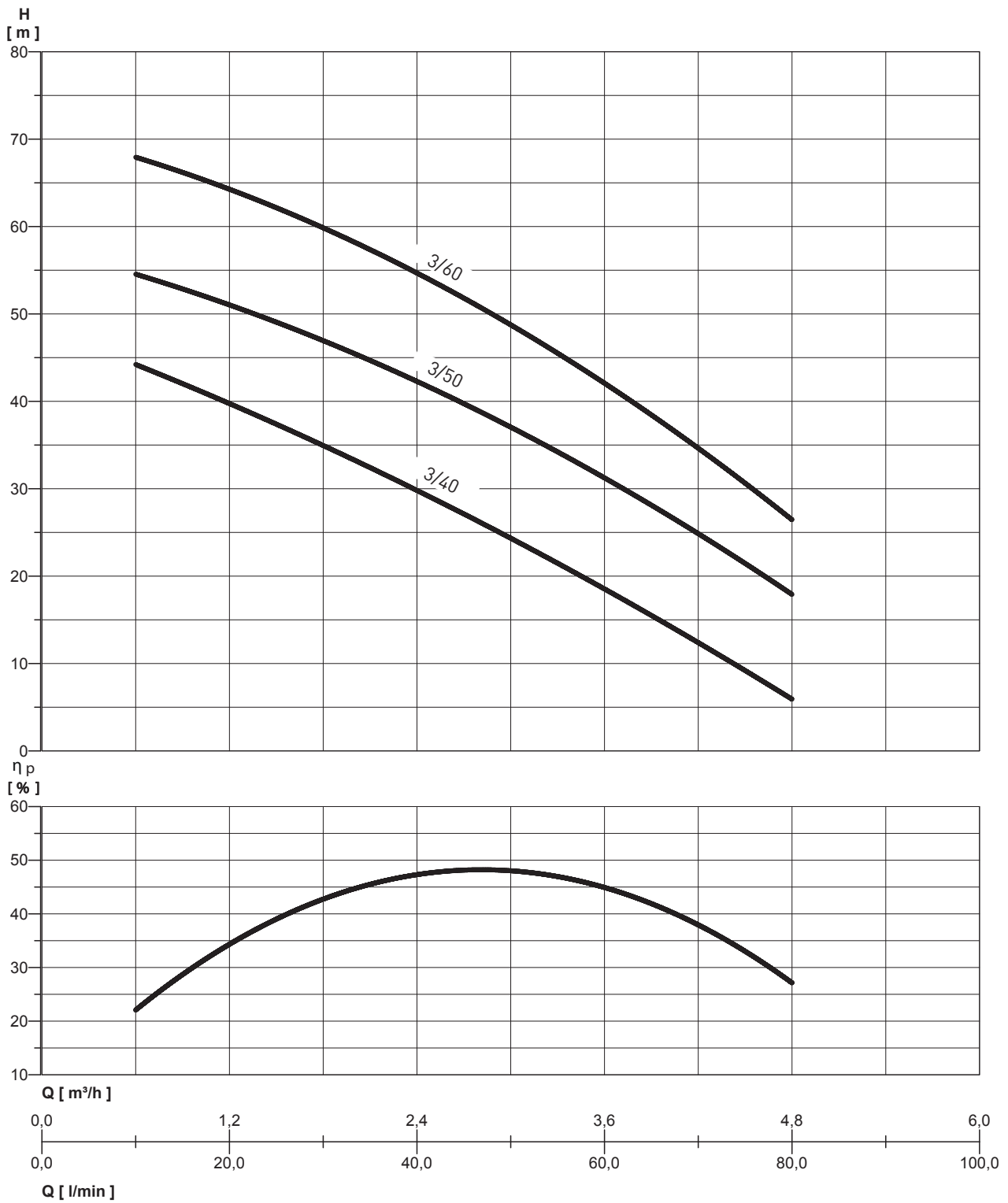
### TABLE OF MATERIALS

Ref.	Component	Material
1	Pump body	Stainless steel Europe: EN10088-1 X5CrNi18-10 (1.4301) USA: AISI 304
2	Motor casing	Die-cast aluminium
3	Impeller	PPO reinforced with fibreglass
4	Diffuser	PPO reinforced with fibreglass
5	Wear ring	PTFE
6	Shaft (hydraulic part)	Stainless steel Europe: EN10088-1 X5CrNi18-10 (1.4301) USA: AISI 304
7	Inlet / outlet caps	Stainless steel Europe: EN10088-1 X8CrNiS18-9 (1.4305) USA: AISI 303
8	Mechanical seal	Carbon graphite / NBR / SS Europe: EN10088-1 X5CrNi18-10 (1.4301) USA: AISI 304
9	Counterface	Ceramic / NBR
10	Gaskets	NBR 70 Shore A
11	Seal holder plate	PPO reinforced with fibreglass

# MULTI EVO-E 3

## MULTISTAGE CENTRIFUGAL PUMPS WITH INVERTER

### HYDRAULIC PERFORMANCE

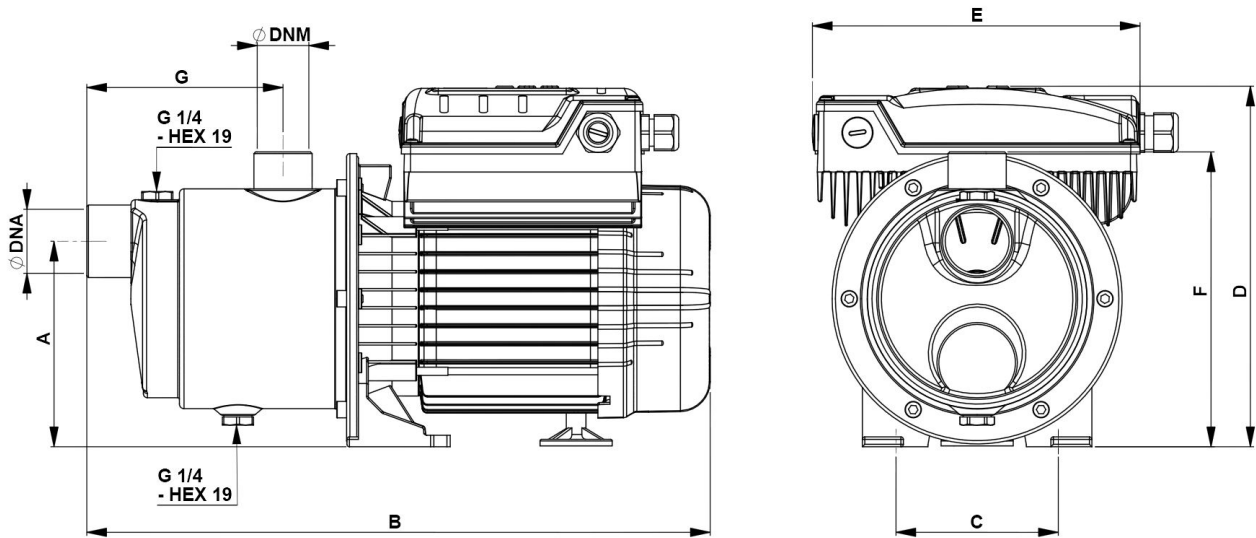


# MULTI EVO-E 3

## MULTISTAGE CENTRIFUGAL PUMPS WITH INVERTER

### PERFORMANCE TABLE

MODEL	Nominal power (P2)		Absorbed power (P1)		VOLT. (V)	In (A)	0	total head in water column metres							
	HP	kW	HP	kW				l/min	10	20	30	40	50	60	80
								m <sup>3</sup> /h	0,6	1,2	1,8	2,4	3	3,6	4,8
MULTI EVO-E 3-40	0,74	0,55	1,1	0,8	1~230	5,3			44	40	35	30	24	18,5	6
MULTI EVO-E 3-50	1	0,75	1,34	1	1~230	7			54,5	51	47	42,5	37	31	18
MULTI EVO-E 3-60	1,27	0,95	1,8	1,35	1~230	8,7			68	64	60	55	48,5	42	26,5



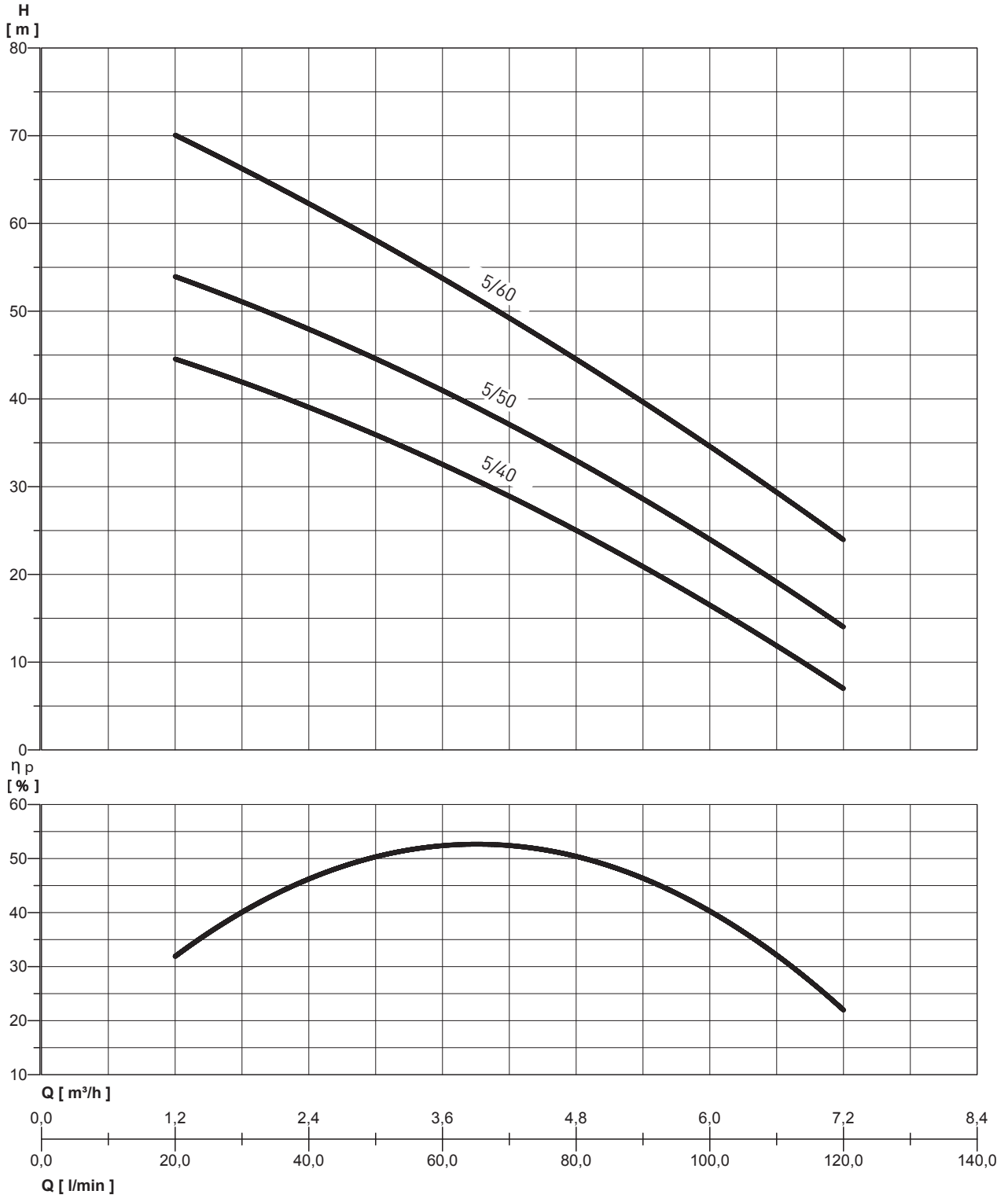
### OVERALL DIMENSIONS AND WEIGHTS

MODEL	Dimensions mm.										WEIGHTS (Kg)
	A	B	C	D	E	F	G	DNA	DNM		
MULTI EVO-E 3-40	129	360	100	211	198	180	116	1"	1"	10	
MULTI EVO-E 3-50	129	377	100	220	198	180	116	1"	1"	12,1	
MULTI EVO-E 3-60	129	377	100	220	198	180	116	1"	1"	13,4	

# MULTI EVO-E 5

## MULTISTAGE CENTRIFUGAL PUMPS WITH INVERTER

### HYDRAULIC PERFORMANCE

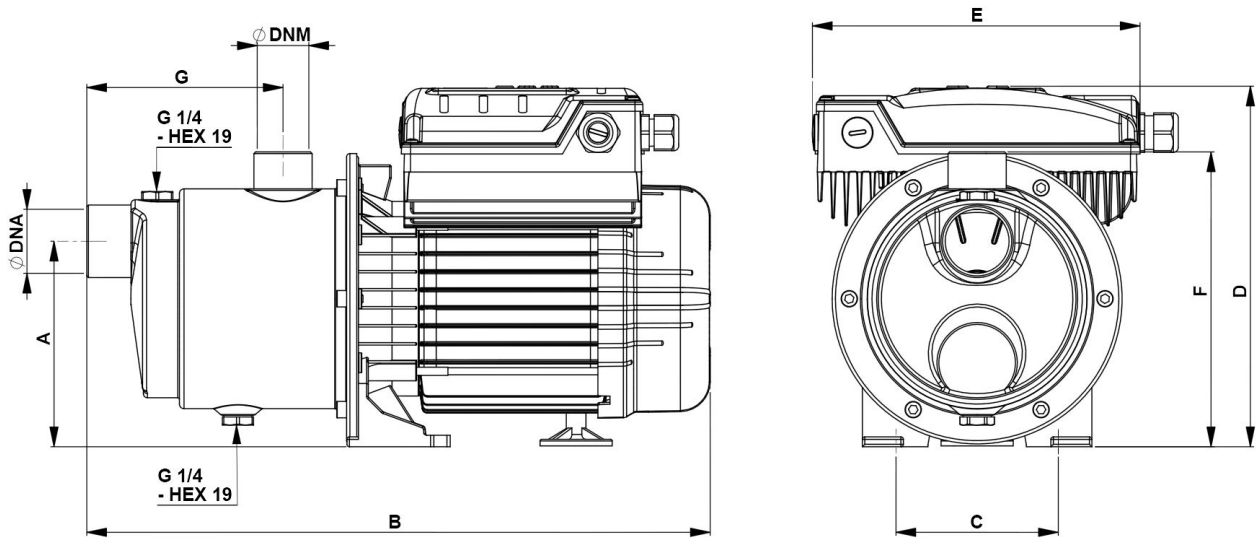


# MULTI EVO-E 5

## MULTISTAGE CENTRIFUGAL PUMPS WITH INVERTER

### PERFORMANCE TABLE

MODEL	Nominal power (P2)		Absorbed power (P1)		VOLT. (V)	In (A)	0	l/min m <sup>3</sup> /h	20	30	40	50	60	80	100	120
	HP	kW	HP	kW					7	8,5	7,2					
MULTI EVO-E 5-40	1	0,75	1,34	1	1~230	7	total head in water column metres	44,5	42	39	36	32,5	25	16,5	7	
MULTI EVO-E 5-50	1,2	0,9	1,68	1,25	1~230	8,5		54	51	48	44,5	41	33	24	14	
MULTI EVO-E 5-60	1,74	1,3	2,4	1,8	1~230	11,5		70	66,5	62	58	54	44,5	34,5	24	



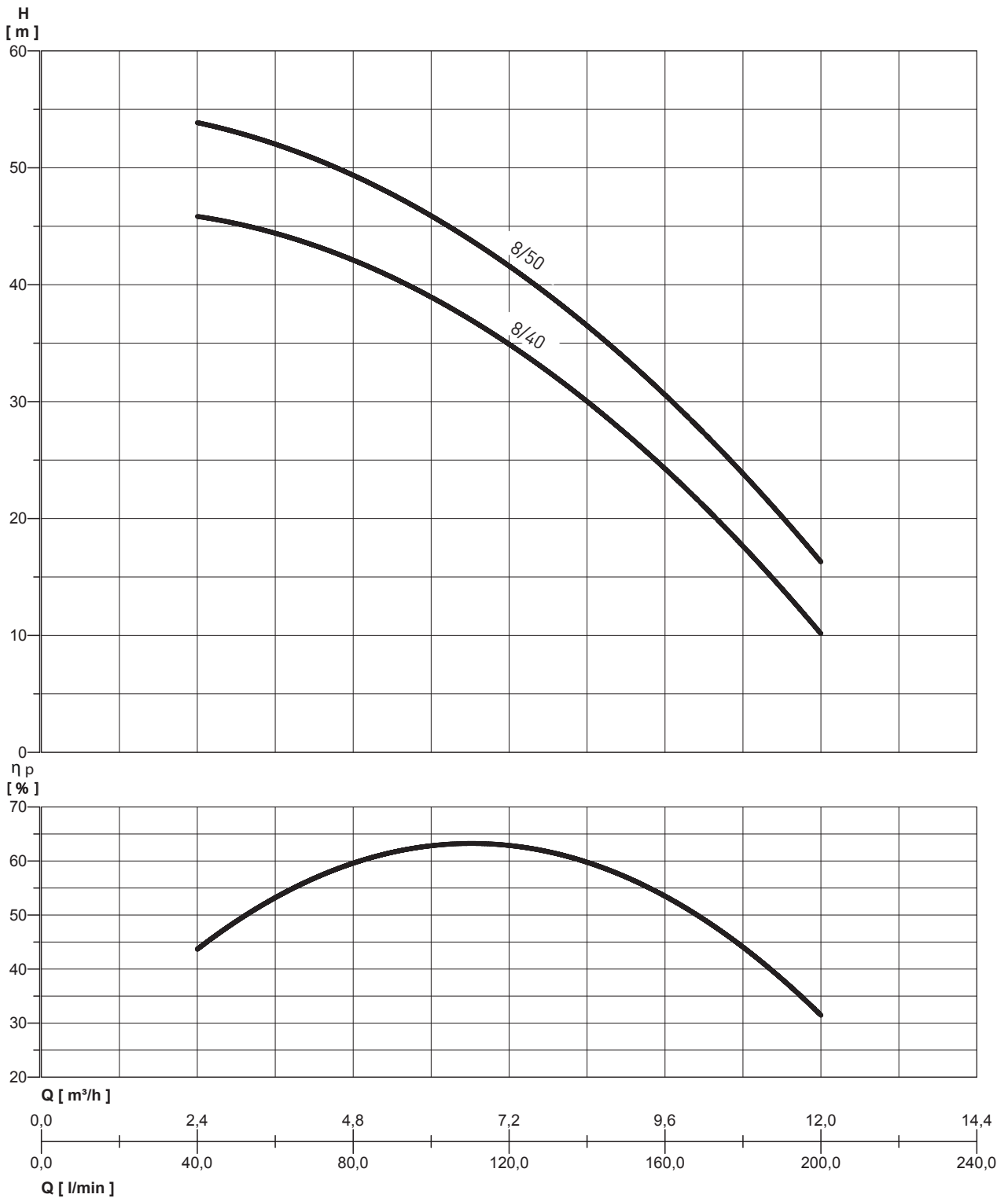
### OVERALL DIMENSIONS AND WEIGHTS

MODEL	Dimensions mm.										WEIGHTS (Kg)
	A	B	C	D	E	F	G	DNA	DNM		
MULTI EVO-E 5-40 M	125	380	100	220	198	180	119	1 1/4	1"	12,2	
MULTI EVO-E 5-50 M	125	380	100	220	198	180	119	1 1/4	1"	13	
MULTI EVO-E 5-60 M	125	413	100	230	198	180	119	1 1/4	1"	14,5	

# MULTI EVO-E 8

## MULTISTAGE CENTRIFUGAL PUMPS WITH INVERTER

### HYDRAULIC PERFORMANCE

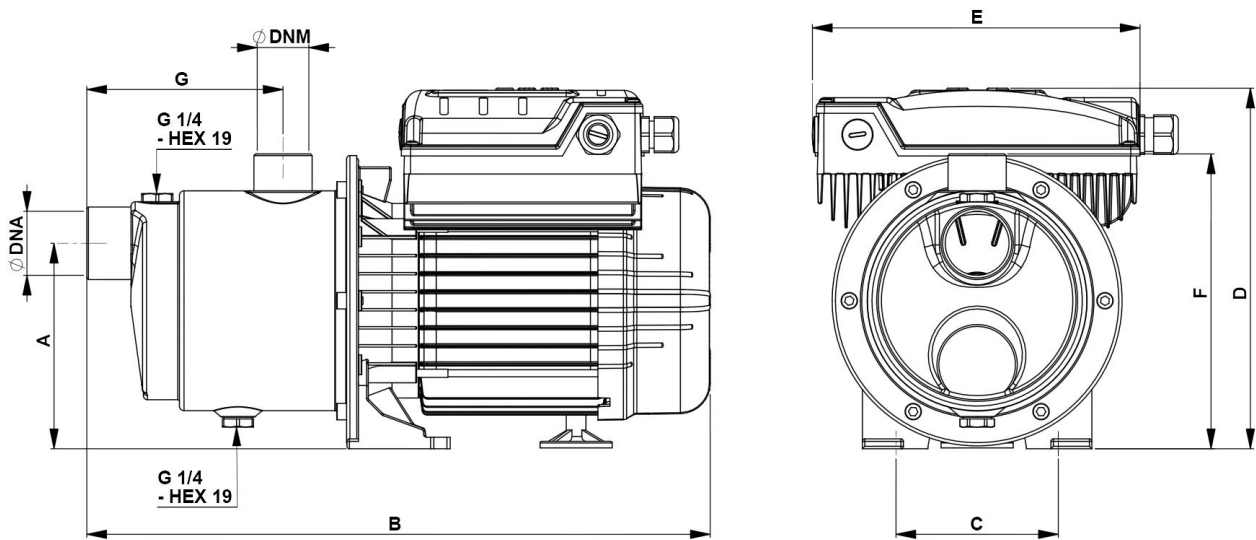


# MULTI EVO-E 8

## MULTISTAGE CENTRIFUGAL PUMPS WITH INVERTER

### PERFORMANCE TABLE

MODEL	Nominal power (P2)		Absorbed power (P1)		VOLT. (V)	In (A)	0												
	HP	kW	HP	kW				l/min	40	50	60	80	100	120	140	160	180	200	
								m <sup>3</sup> /h	2,4	3	3,6	4,8	6	7,2	8,4	9,6	10,8	12	
MULTI EVO-E 8-40	1,6	1,2	2,15	1,7	1~230	11	Total head in water column metres	46	45	44,5	42	39	35	30	24	18	10		
MULTI EVO-E 8-50	1,9	1,4	2,7	2	1~230	13		54	53	52	49	46	42	36,5	30,5	23,5	16,5		



### OVERALL DIMENSIONS AND WEIGHTS

MODEL	Dimensions mm.										WEIGHTS (Kg)
	A	B	C	D	E	F	G	DNA	DNM		
MULTI EVO-E 8-40 M	125	430	100	230	198	187	137	1"1/4	1"1/4	15	
MULTI EVO-E 8-50 M	125	430	100	230	198	187	137	1"1/4	1"1/4	16,7	