

## DHI

### MULTISTAGE CENTRIFUGAL PUMPS MADE OF STAINLESS STEEL AISI 316

The DHI series horizontal multi-stage centrifugal pumps have the following advantages: high hydraulic performance regarding pressure and capacity. Minimum consumption of electricity. Extremely silent operation.

#### USAGE DATA

- Type of liquid: clean water without suspended solids or abrasive material.
- Maximum temperature of the liquid 90°C.
- Max recommended suction height 6 m with foot valve (with max. temperature of the liquid at 50° C)
- Maximum operating pressure 10 bar. (with temp. of liquid 50°C)  
6 bar (with temp. of liquid 90°C)

#### APPLICATIONS

- Handling of aggressive liquids.
- Lifting and distribution of water in domestic systems in continuous or intermittent operation.
- Pressurization systems.
- Washing, irrigation, gardens, fountains.

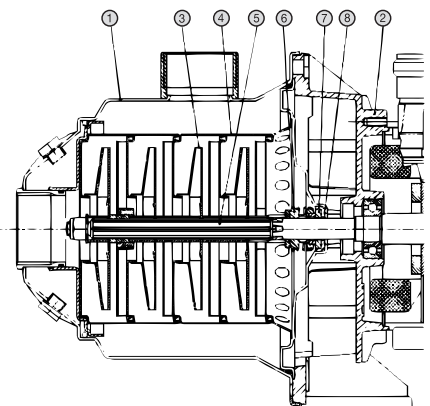
#### MOTOR

- Asynchronous motor
- Closed, ventilated from outside.
- Degree of protection IP 55.
- Insulation class F.
- Single phase power supply with permanently activated capacitor and thermal cutout protection incorporated in the motor winding.
- Three-phase power supply with external protection provided by the user.
- Speed of rotation 2850 rpm.
- Continuous service.



## TABLE OF MATERIALS

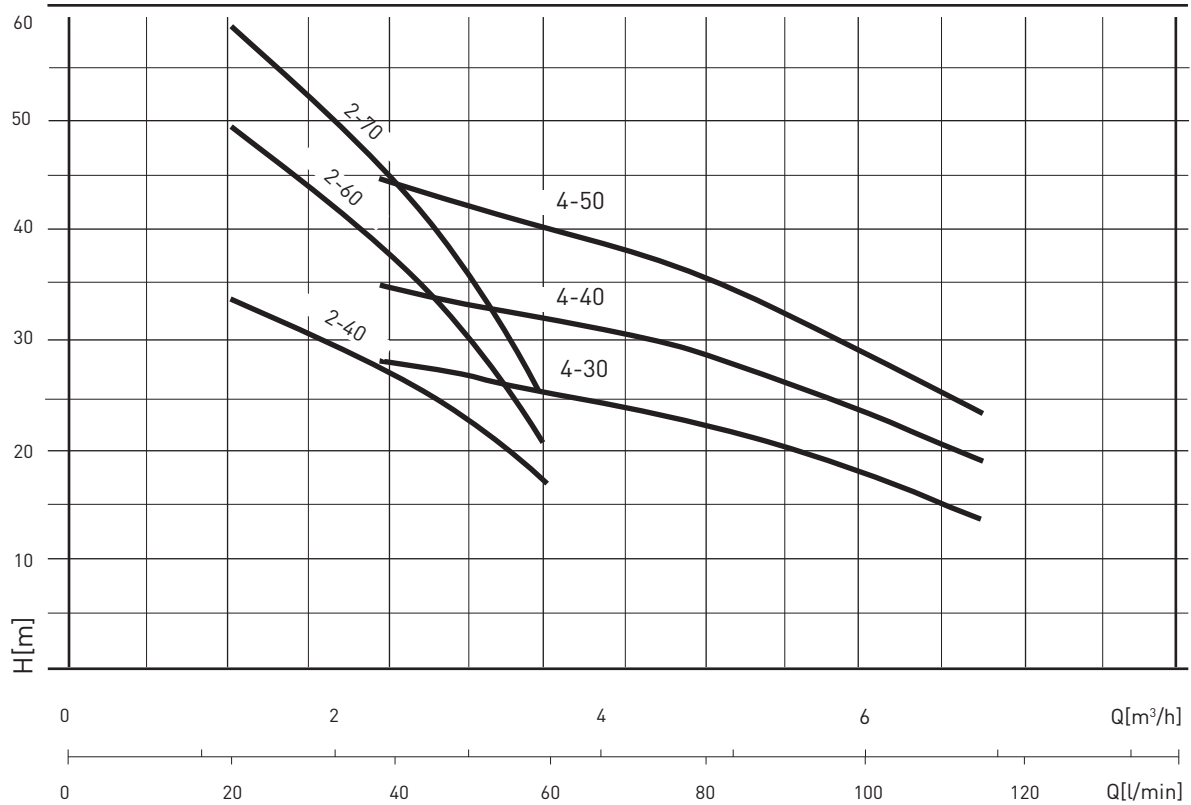
Component	Material
1 Pump body	Stainless steel X CrNiMo 17-12-03 (AISI 316)
2 Motor casing	Die-cast aluminium
3 Impeller	Stainless steel X CrNiMo 17-12-03 (AISI 316)
4 Intermediate chamber	Stainless steel X CrNiMo 17-12-03 (AISI 316)
5 Motor shaft	Stainless steel X CrNiMo 17-12-03 (AISI 316)
6 Mechanical seal	Graphite
7 Counterface	Ceramic
8 Seal-holding flange	Stainless steel X CrNiMo 17-12-03 (AISI 316)
Gaskets	EPDM



# DHI 2 - DHI 4

## MULTISTAGE CENTRIFUGAL PUMPS MADE OF STAINLESS STEEL AISI 316

### HYDRAULIC PERFORMANCE



### PERFORMANCE TABLE

MODEL	Motor power (P2)		Absorbed power (P1)		VOLT. (V)	In (A)	μF.	Q	Q						
	HP	kW	HP	kW					l/min	10	20	30	40	50	60
									m³/h	0,6	1,2	1,8	2,4	3	3,6
DHI 2-40 M	0,5	0,4	0,9	0,7	1~230	3,2	12,5	m.c.w.		36	34	31	27	22	17
DHI 2-40 T	0,5	0,4	0,9	0,7	3~230/400	2,3-1,4	-			36	34	31	27	22	17
DHI 2-60 M	0,8	0,6	1,2	0,9	1~230	4,1	16			53	49	43	37	30	21
DHI 2-60 T	0,8	0,6	1,2	0,9	3~230/400	3-1,8	-			53	49	43	37	30	21
DHI 2-70 M	1	0,78	1,5	1,1	1~230	5,2	20			63	58	52	44	36	26
DHI 2-70 T	1	0,78	1,36	1	3~230/400	3-1,8	-			63	58	52	44	36	26

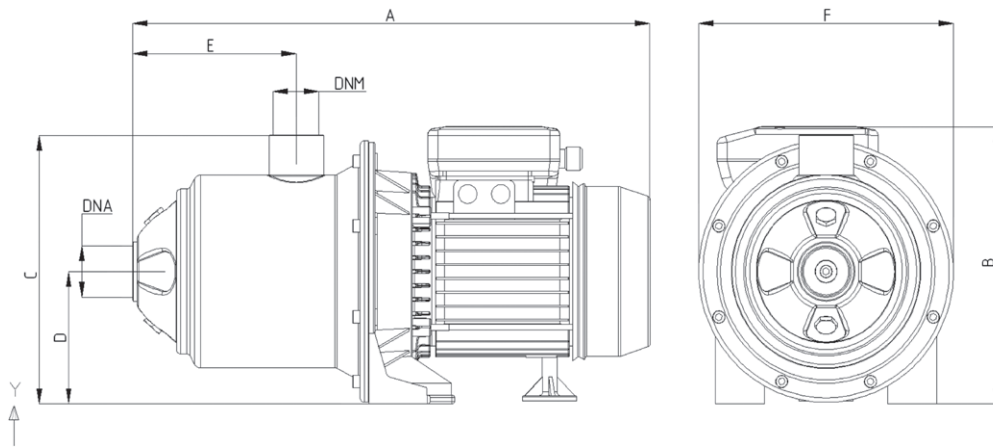
MODEL	Motor power (P2)		Absorbed power (P1)		VOLT. (V)	In (A)	μF.	Q	Q						
	HP	kW	HP	kW					l/min	40	50	60	80	100	120
									m³/h	2,4	3	3,6	4,8	6	7,2
DHI 4-30 M	0,67	0,5	1,1	0,8	1~230	3,6	12,5	m.c.w.		27	26	25	22	18	14
DHI 4-30 T	0,67	0,5	1,1	0,8	3~230/400	2,9-1,7	-			27	26	25	22	18	14
DHI 4-40 M	0,94	0,7	1,36	1	1~230	4,4	16			35	33	32	28	24	18
DHI 4-40 T	0,94	0,7	1,36	1	3~230/400	3,3-2	-			35	33	32	28	24	18
DHI 4-50 M	1,2	0,9	1,68	1,25	1~230	5,8	20			44	42	40	36	30	23
DHI 4-50 T	1,2	0,9	1,6	1,2	3~230/400	3,3-2	-			44	42	40	36	30	23

## DHI 2 - DHI 4

MULTISTAGE CENTRIFUGAL PUMPS MADE OF STAINLESS STEEL AISI 316

### OVERALL DIMENSIONS AND WEIGHTS

---



### OVERALL DIMENSIONS AND WEIGHTS

---

MODEL	Dimensions in mm.								WEIGHT (Kg)
	A	B	C	D	E	F	DNA	DNM	
DHI 2-40	368	220	213,5	105	80	208	1" 1/4	1" 1/4	11
DHI 2-60	396	220	213,5	105	108	208	1" 1/4	1" 1/4	11,7
DHI 2-70	422	220	213,5	105	134	208	1" 1/4	1" 1/4	14,1
DHI 4-30	368	220	213,5	105	80	208	1" 1/4	1" 1/4	11,3
DHI 4-40	396	220	213,5	105	108	208	1" 1/4	1" 1/4	12,1
DHI 4-50	422	220	213,5	105	134	208	1" 1/4	1" 1/4	14