

MULTI EVO

MULTISTAGE CENTRIFUGAL PUMPS

Multi EVO-A is a multi-stage centrifugal horizontal pump with an inlet with axial thread and an outlet with radial thread. The innovative, high efficiency hydraulic system is connected to a motor of the latest generation with a mechanical seal.

All models are certified for use with drinking water (ACS and DM174)

ADVANTAGES

The Multi EVO series pumps feature the following advantages:

- Low energy consumption thanks to the highly efficient hydraulic system
- High efficiency
- High reliability - thanks to the durable and innovative design
- Silent - more comfort for the user thanks to its silent operation
- Compact shape
- Wide range

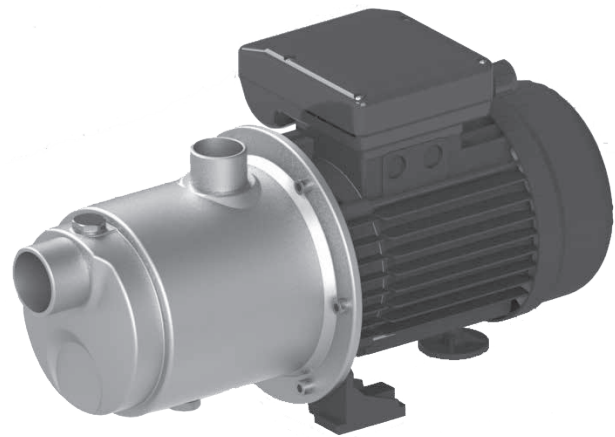
SPECIFICATIONS:

PUMP

- Hydraulic performance according to ISO 9906:2012 - Grade 3B
- Type of liquid: clean water without suspended solids or abrasive material
- Maximum temperature of the liquid 50°C
- Maximum operating pressure 8 bar
- Maximum intake height recommended 6m with foot valve

MOTOR

- Closed, air ventilated (TEFC)
- 2 poles, 50 Hz (n=2850 rpm)
- IE3 three-phase AC (P2 ≥ 0.75 kW)
- Protection level: IP55
- Insulation class: F
- Maximum ambient temperature 40°C
- Single-phase power supply with capacitor permanently on and thermal protection built into the motor casing.



APPLICATIONS

- Pressurising and supply
- Irrigation
- Use of rainwater
- Washing systems



MULTI EVO

MULTISTAGE CENTRIFUGAL PUMPS

CONSTRUCTION FEATURES

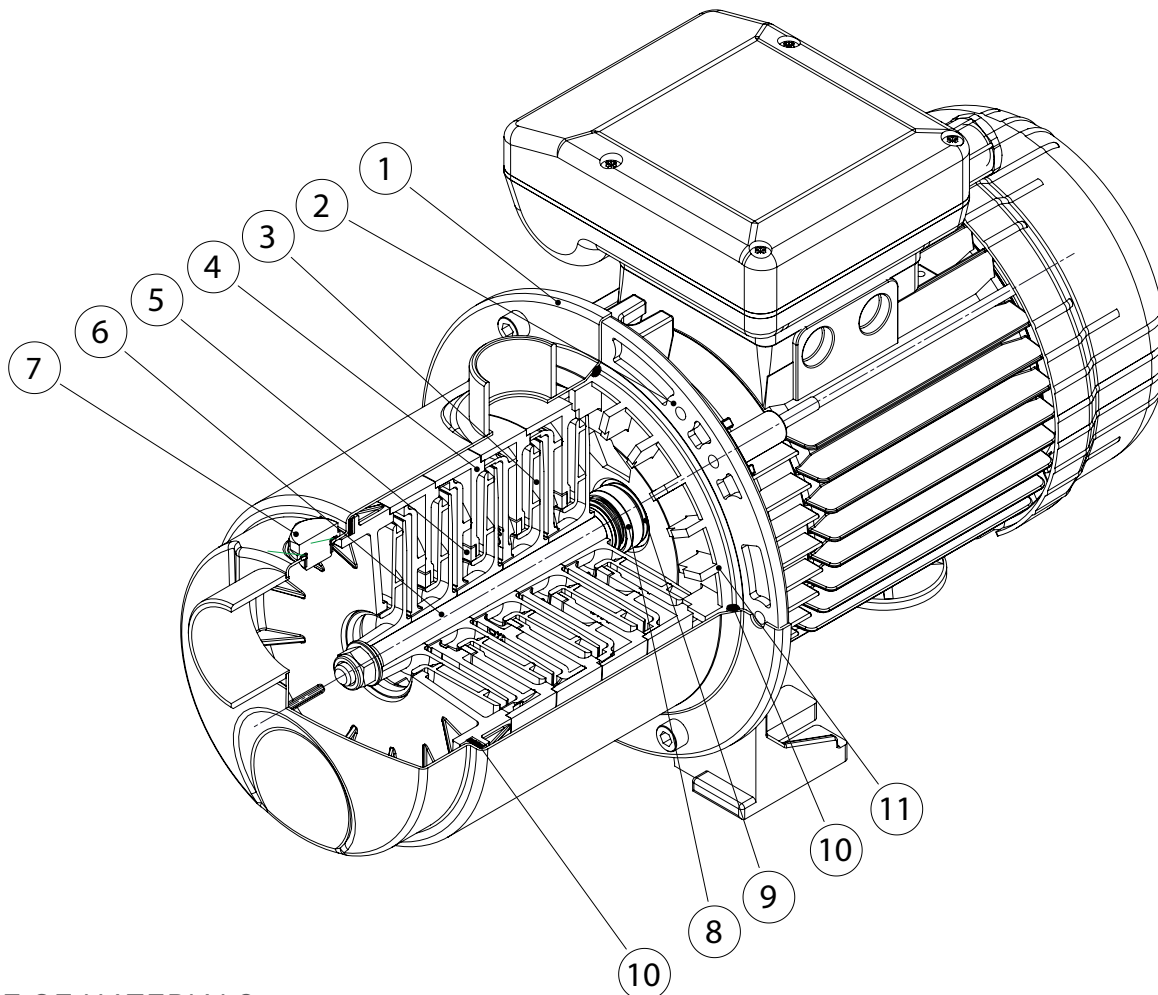


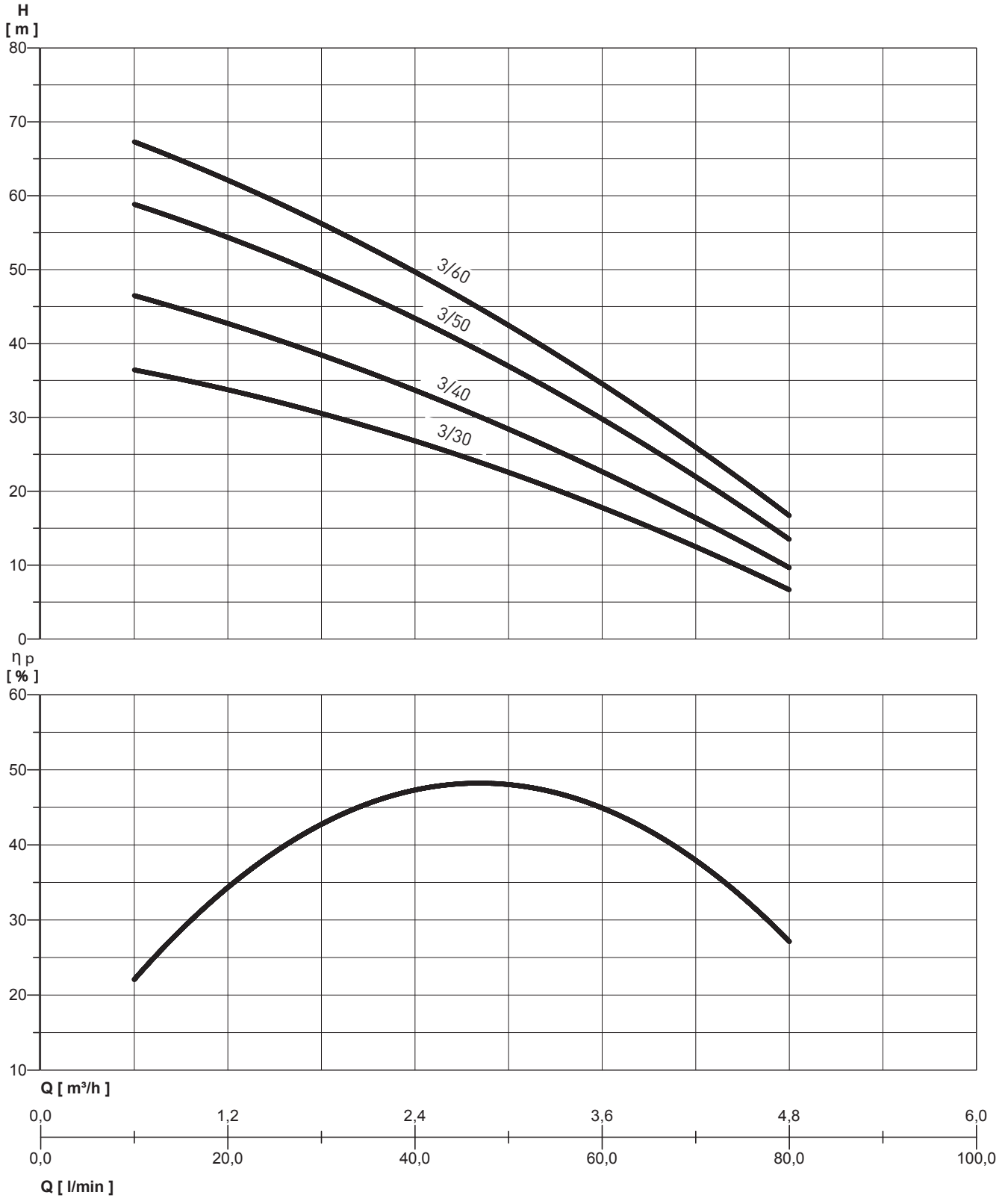
TABLE OF MATERIALS

Ref.	Component	Material
1	Pump body	Stainless steel Europe: EN10088-1 X5CrNi18-10 (1.4301) USA: AISI 304
2	Motor casing	Die-cast aluminium
3	Impeller	PPO reinforced with fibreglass
4	Diffuser	PPO reinforced with fibreglass
5	Wear ring	PTFE
6	Shaft (hydraulic part)	Stainless steel Europe: EN10088-1 X5CrNi18-10 (1.4301) USA: AISI 304
7	Inlet / outlet caps	Stainless steel Europe: EN10088-1 X8CrNiS18-9 (1.4305) USA: AISI 303
8	Mechanical seal	Carbon graphite / NBR / SS Europe: EN10088-1 X5CrNi18-10 (1.4301) USA: AISI 304
9	Counterface	Ceramic / NBR
10	Gaskets	NBR 70 Shore A
11	Seal holder plate	PPO reinforced with fibreglass

MULTI EVO 3

MULTISTAGE CENTRIFUGAL PUMPS

HYDRAULIC PERFORMANCE

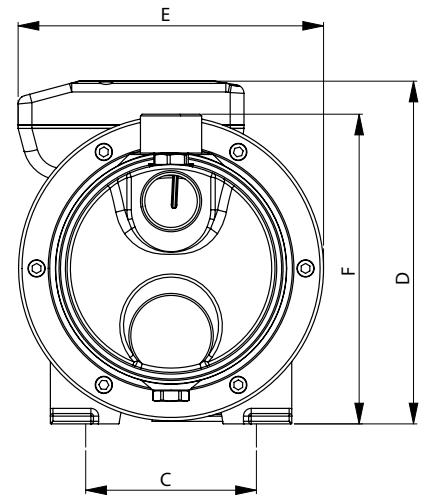
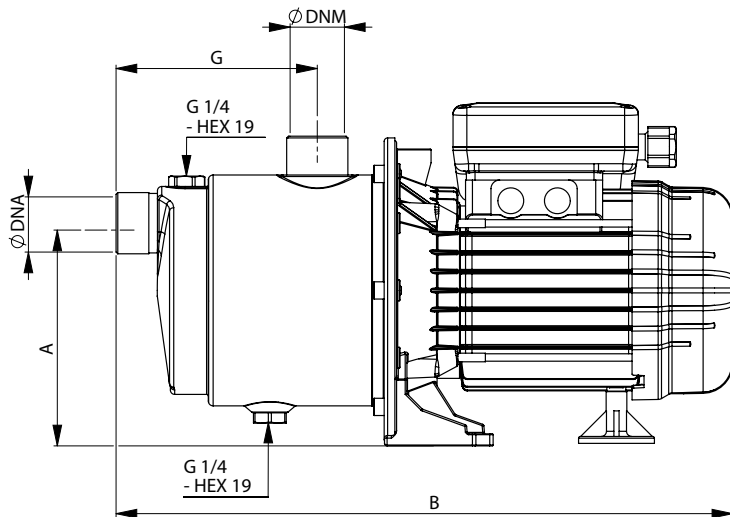


MULTI EVO 3

MULTISTAGE CENTRIFUGAL PUMPS

PERFORMANCE TABLE

MODEL	Nominal power (P2)		Absorbed power (P1)		VOLT. (V)	In (A)	μF	0	total head in water column metres							
	HP	kW	HP	kW					l/min	10	20	30	40	50	60	80
									m ³ /h	0,6	1,2	1,8	2,4	3	3,6	4,8
MULTI EVO 3-30 M	0,54	0,4	0,87	0,65	1~230	2,95	12,5			36	34	31	27	22,5	17	7
MULTI EVO 3-30 T	0,54	0,4	0,87	0,65	3~230/400	2,3/1,3	--									
MULTI EVO 3-40 M	0,74	0,55	1,1	0,8	1~230	3,7	12,5			46	43	39	34	28	22	10
MULTI EVO 3-40 T	0,71	0,53	1,05	0,78	3~230/400	2,7/1,55	--									
MULTI EVO 3-50 M	0,94	0,7	1,34	1	1~230	4,4	16			58	55	50	44	36	29	14
MULTI EVO 3-50 T	0,94	0,7	1,34	1	3~230/400	3,3/1,9	--									
MULTI EVO 3-60 M	1,2	0,9	1,68	1,25	1~230	5,8	20			67	62	57	50	42	34	17
MULTI EVO 3-60 T	1,1	0,82	1,57	1,17	3~230/400	3,5/2	--									



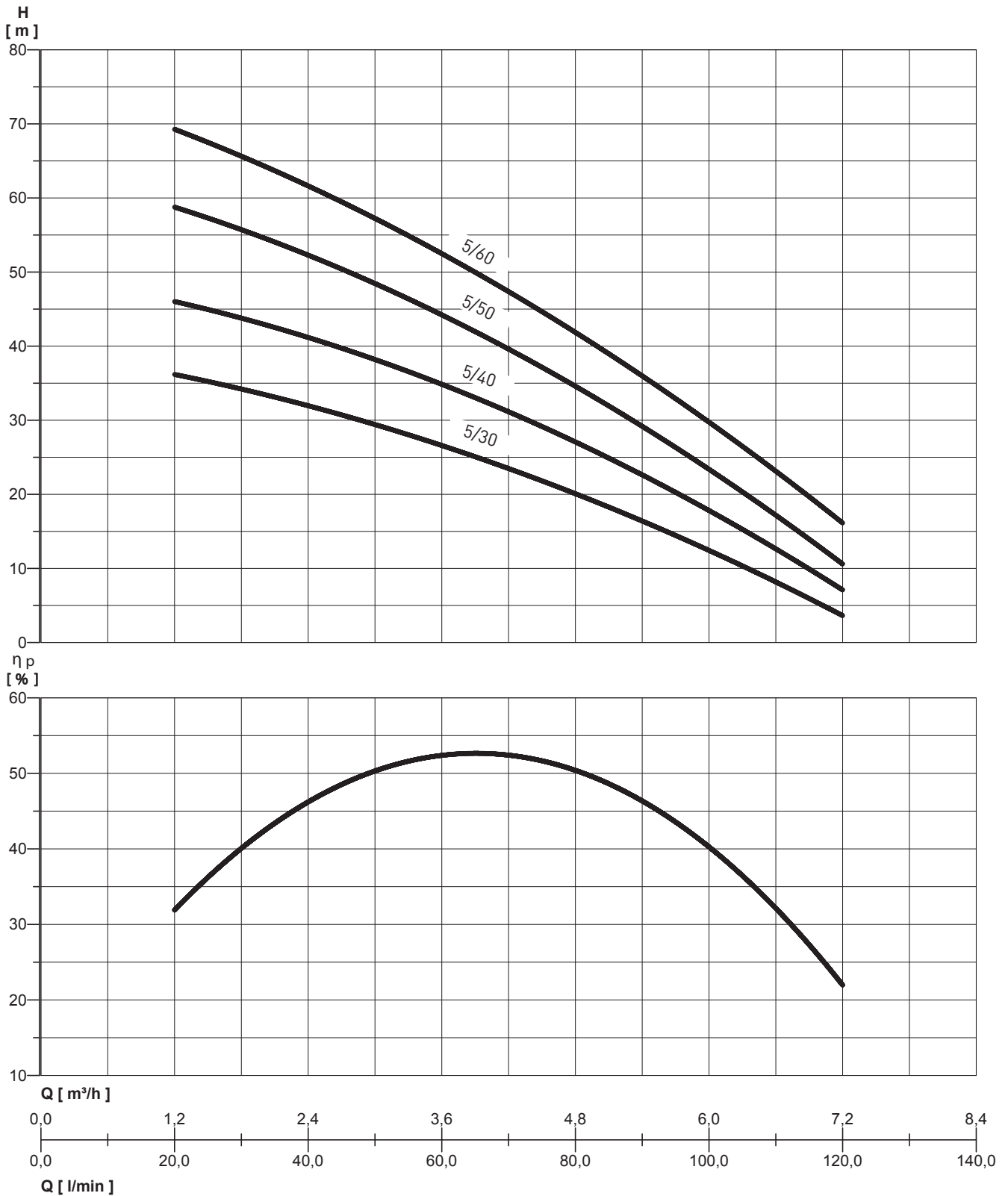
OVERALL DIMENSIONS AND WEIGHTS

MODEL	Dimensions mm.										WEIGHTS (Kg)
	A	B	C	D	E	F	G	DNA	DNM		
MULTI EVO 3-30 M	129	356	100	199	177	180	116	1"	1"	6,7	
MULTI EVO 3-30 T	129	356	100	199	177	180	116	1"	1"	6,7	
MULTI EVO 3-40 M	129	356	100	199	177	180	116	1"	1"	7,1	
MULTI EVO 3-40 T	129	356	100	199	177	180	116	1"	1"	7,1	
MULTI EVO 3-50 M	129	400	100	207	177	180	139	1"	1"	9,1	
MULTI EVO 3-50 T	129	400	100	207	177	180	139	1"	1"	9,1	
MULTI EVO 3-60 M	129	422	100	207	177	180	161	1"	1"	10,8	
MULTI EVO 3-60 T	129	422	100	207	177	180	161	1"	1"	10,8	

MULTI EVO 5

MULTISTAGE CENTRIFUGAL PUMPS

HYDRAULIC PERFORMANCE

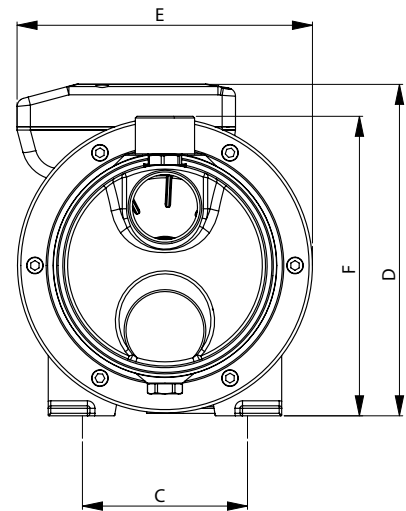
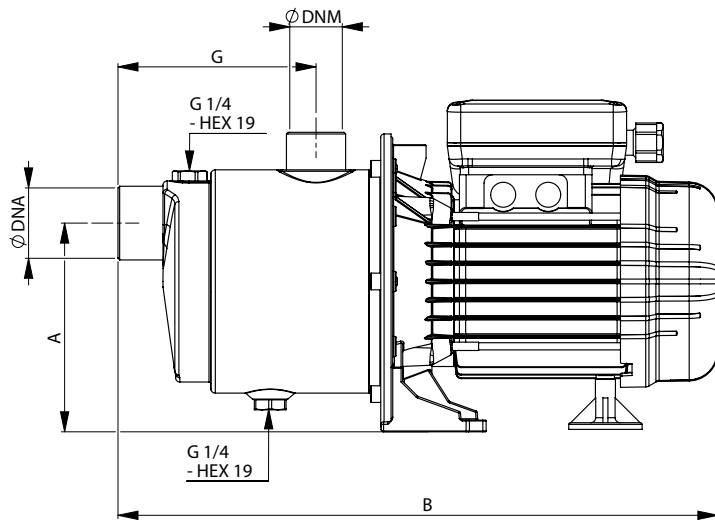


MULTI EVO 5

MULTISTAGE CENTRIFUGAL PUMPS

PERFORMANCE TABLE

MODEL	Nominal power (P2)		Absorbed power (P1)		VOLT. (V)	In (A)	μF	0	total head in water column metres									
	HP	kW	HP	kW					l/min	20	30	40	50	60	80	100	120	
									m ³ /h	1,2	1,8	2,4	3	3,6	4,8	6	7,2	
MULTI EVO 5-30 M	0,75	0,55	1,1	0,8	1~230	3,7	12,5											
MULTI EVO 5-30 T	0,71	0,53	1,05	0,78	3~230/400	2,7 / 1,55	--		36	34	32	30	27	19,5	12	4		
MULTI EVO 5-40 M	1	0,75	1,5	1,1	1~230	4,7	16											
MULTI EVO 5-40 T	1	0,75	1,5	1,1	3~230/400	3,5 / 2	--		46	44	41	38	35	27	18	7		
MULTI EVO 5-50 M	1,27	0,95	1,8	1,35	1~230	6,2	20											
MULTI EVO 5-50 T	1,2	0,9	1,68	1,25	3~230/400	3,7 / 2,1	--		58	56	53	49	44	34	23	11		
MULTI EVO 5-60 M	1,6	1,2	2,2	1,65	1~230	7,5	31,5											
MULTI EVO 5-60 T	1,6	1,2	2,1	1,57	3~230/400	5,3 / 3,1	--		69	66	62	57	52	42	30	16		



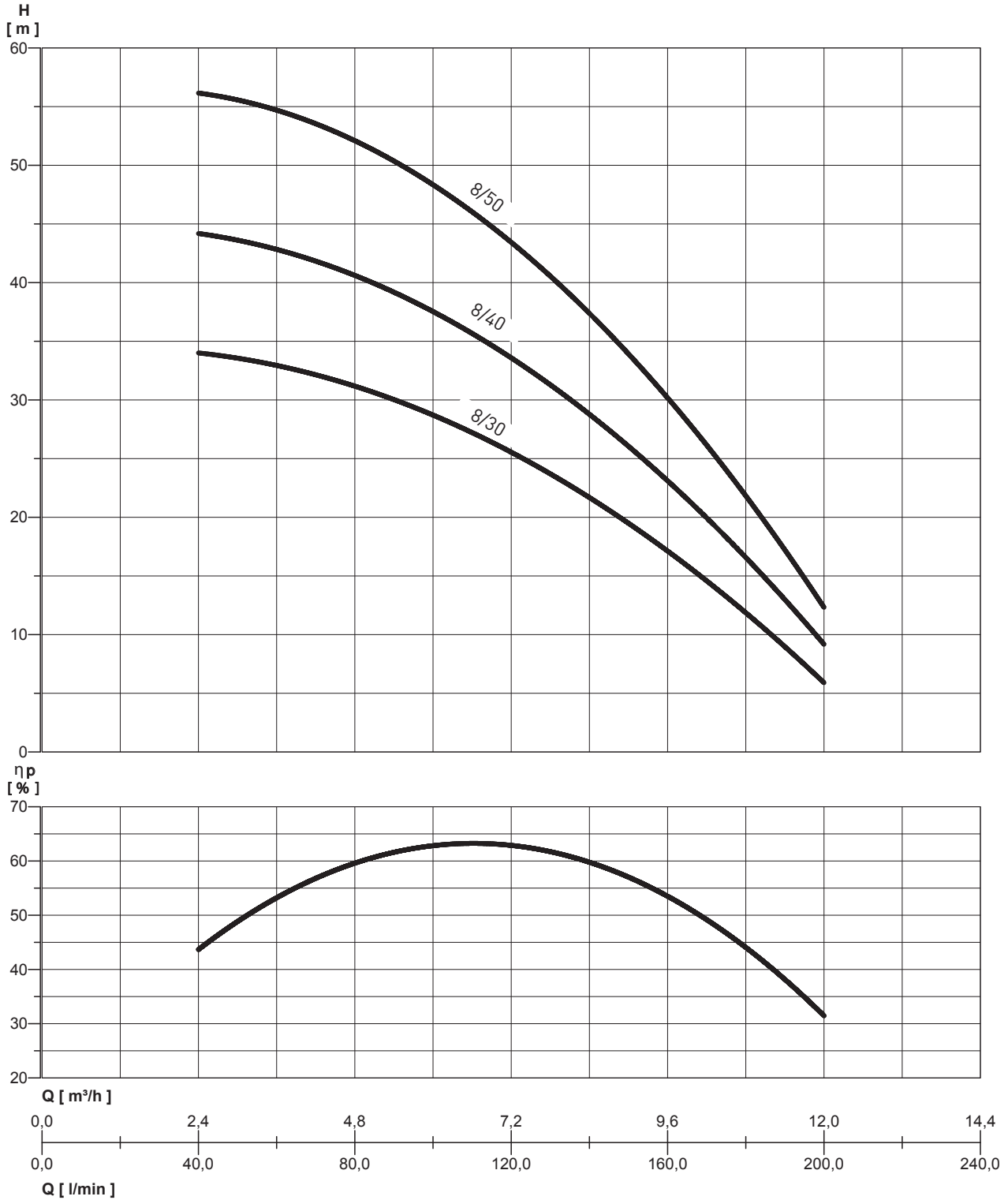
OVERALL DIMENSIONS AND WEIGHTS

MODEL	Dimensions mm.									WEIGHTS (Kg)
	A	B	C	D	E	F	G	DNA	DNM	
MULTI EVO 5-30 M	125	360	100	199	177	180	119	1 1/4"	1"	7,1
MULTI EVO 5-30 T	125	360	100	199	177	180	119	1 1/4"	1"	7,1
MULTI EVO 5-40 M	125	380	100	207	177	180	119	1 1/4"	1"	8,8
MULTI EVO 5-40 T	125	380	100	207	177	180	119	1 1/4"	1"	8,8
MULTI EVO 5-50 M	125	402	100	207	177	180	142	1 1/4"	1"	10,4
MULTI EVO 5-50 T	125	402	100	207	177	180	142	1 1/4"	1"	10,4
MULTI EVO 5-60 M	125	457	100	215	203	180	164	1 1/4"	1"	13,5
MULTI EVO 5-60 T	125	457	100	215	177	180	164	1 1/4"	1"	13,5

MULTI EVO 8

MULTISTAGE CENTRIFUGAL PUMPS

HYDRAULIC PERFORMANCE

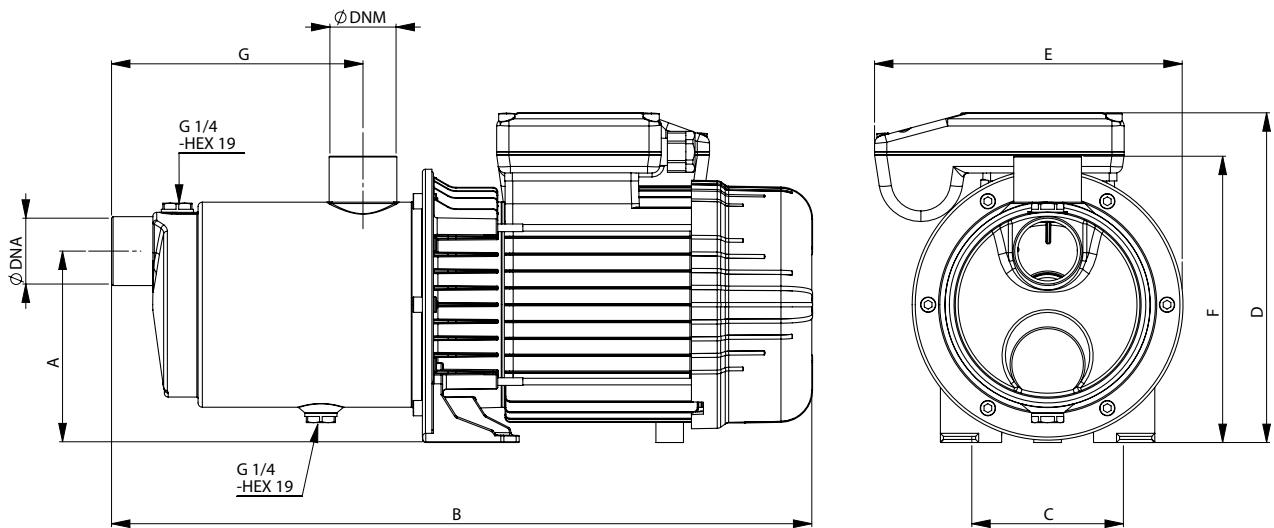


MULTI EVO 8

MULTISTAGE CENTRIFUGAL PUMPS

PERFORMANCE TABLE

MODEL	Nominal power (P2)		Absorbed power (P1)		VOLT. (V)	In (A)	μF	0	l/min	40	60	80	100	120	140	160	180	200	
	HP	kW	HP	kW															m³/h
MULTI EVO 8-30 M	1,2	0,9	1,7	1,28	1~230	5,9	20	total head in water column metres	34	33,5	31	29	25,5	22	16,5	12	6		
MULTI EVO 8-30 T	1,2	0,9	1,6	1,2	3~ 230/400	3,7 / 2,1	--		44,5	42,5	40,5	37,5	34	29	23	16	9,5		
MULTI EVO 8-40 M	1,6	1,2	2,23	1,66	1~230	7,7	31,5		56,5	54,5	51,5	48,5	44	37,5	30	21,5	12,5		
MULTI EVO 8-40 T	1,6	1,18	2	1,5	3~ 230/400	5 / 2,95	--												
MULTI EVO 8-50 M	1,9	1,4	2,7	2	1~230	9	35												
MULTI EVO 8-50 T	1,9	1,4	2,6	1,95	3~ 230/400	6,7 / 4	--												



OVERALL DIMENSIONS AND WEIGHTS

MODEL	Dimensions mm.									Weights (Kg)
	A	B	C	D	E	F	G	DNA	DNM	
MULTI EVO 8-30 M	125	398	100	207	177	187	137	1 1/4	1 1/4	10,5
MULTI EVO 8-30 T	125	398	100	207	177	187	137	1 1/4	1 1/4	10,5
MULTI EVO 8-40 M	125	430	100	215	203	187	137	1 1/4	1 1/4	13,4
MULTI EVO 8-40 T	125	430	100	215	177	187	137	1 1/4	1 1/4	13,4
MULTI EVO 8-50 M	125	457	100	215	203	187	164	1 1/4	1 1/4	14,5
MULTI EVO 8-50 T	125	457	100	215	177	187	164	1 1/4	1 1/4	14,5