

CPS3-10/MULTINOX-VE+

FREQUENCY CONVERTER - THREE PHASE

- Pressure measurement with the possibility to manage 2 independent levels adjustable by means of a time added internally or with an external connection
- Internal clock
- Calculation of the speed of the motor
- Protection against dry running
- Over and under current protection



DESCRIPTION

CPS 3-10 is an electronic device capable of changing the frequency of a pump. Integrated directly on the motor, it allows to adjust its speed so as to supply the same pressure at all times, even when the water demand changes. CPS represents a compact, essential and reliable solution which is easy to use; designed to offer great comfort and benefits in various applications such as: irrigation, pressurization and water transfer, residential, commercial and industrial uses. The CPS range is characterised by a simple and elegant design with a backlight graphic display which informs the user of the operating parameters in real time.

The operating principle is simple and effective. The CPS powers the electric motor of the pump on which it is mounted and, by means of a feedback system that uses a pressure transducer, it changes the supply frequency of the electric motor depending on the water demand in order to keep the output pressure of the pump constant, the value of which is set on the device (set point). CPS ensures high levels of efficiency and greater flexibility in performance, ensuring a high energy saving and making the use of other control devices unnecessary.

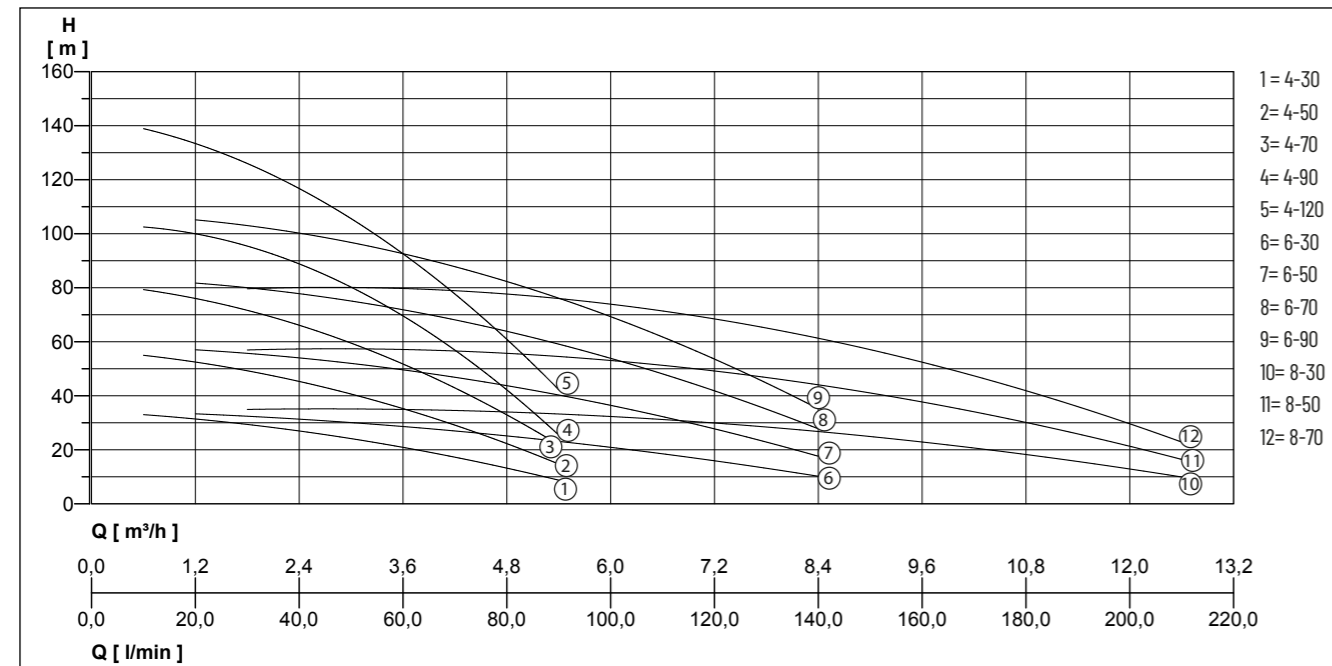
APPLICATIONS

- Pressurization systems
- Water supply
- Industry
- Construction
- Washes

CPS3-10/MULTINOX-VE+

FREQUENCY CONVERTER - THREE PHASE

PERFORMANCE



We reserve the right to change specifications without notice. Pump performance is subject to ISO 9906 ISO 9906:2012 - Grade 3B tolerances. MEI ≥ 0.4 - Reference MEI ≥ 0.70 - The information on the reference efficiency is available at the address: www.europump.org/efficiencycharts For the efficiency data see the PUMPS of the series MULTINOX-VE+

Type	Flow rate Q [m³/h]	0.6	1.2	2	2.4	3	3.6	4.2	5	5.4	6	7.2	8.4	9	11	13
CPS3-10 MULTINOX VE+ 4-30	Delivery head H [m]	33	31	30	27	24	21	17	13	9						
CPS3-10 MULTINOX VE+ 4-50		55	52	50	45	41	35	29	22	15						
CPS3-10 MULTINOX VE+ 4-70		79	76	72	67	59	51	43	33	22						
CPS3-10 MULTINOX VE+ 4-90		104	99	95	88	79	69	59	46	32						
CPS3-10 MULTINOX VE+ 4-120		138	134	127	117	105	92	78	60	43						
CPS3-10 MULTINOX VE+ 6-30			34	32	31	30	28	27	26	23	21	16	10			
CPS3-10 MULTINOX VE+ 6-50			58	56	53	51	49	47	44	41	37	28	17			
CPS3-10 MULTINOX VE+ 6-70			83	80	77	74	71	68	64	60	55	42	27			
CPS3-10 MULTINOX VE+ 6-90			107	103	99	95	92	87	83	77	71	54	34			
CPS3-10 MULTINOX VE+ 8-30				35	35	35	35	35	34	33	32	30	27	25	18	10
CPS3-10 MULTINOX VE+ 8-50				57	57	56	56	56	54	53	52	50	45	40	28	16
CPS3-10 MULTINOX VE+ 8-70				80	80	79	78	78	76	74	72	70	63	56	40	22
CPS3-10 MULTINOX VE+ 8-90				104	104	104	103	103	101	98	94	90	82	73	52	29
CPS3-10 MULTINOX VE+ 8-120				139	139	139	138	138	135	131	126	120	109	98	70	38

MECHANICAL DATA

Run dry protection	Yes	Diffuser	Technopolymer
Shaft	Stainless steel X5 CrNi 1810 (AISI 304)	Type of liquid	clean water without suspended solids or abrasive material
Impeller	Technopolymer	Temperature of the liquid max.	50 °C
Pump housing	Stainless steel X5 CrNi 1810 (AISI 304)	Saughöhe max.	6 m
		Gasket	NBR

ELECTRICAL DATA

Voltage	3/N/PE~400 V	Ambient temperature max.	40 °C
Type of enclosure	IP 55	Rotation speed	2850 rpm
Insulation class	F		

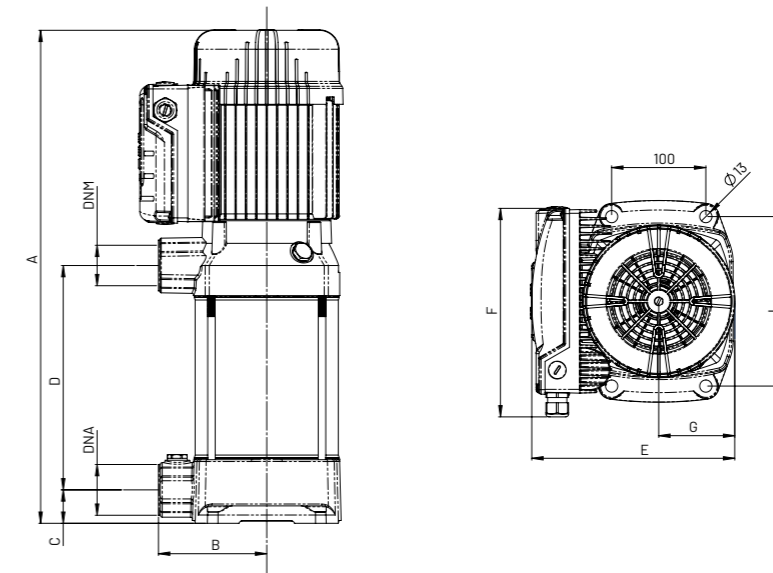
CPS3-10/MULTINOX-VE+

FREQUENCY CONVERTER - THREE PHASE

CPS3-10/MULTINOX-VE+

Type	Code No.	Motor rating		Current	Weight
		P1	P2		
CPS3-10 MULTINOX VE+ 4-30	N4810340	0.75 W	0.7 kW	1.7 A	21 kg
CPS3-10 MULTINOX VE+ 4-50	N4810400	1.30 kW	1.3 kW	3.0 A	25 kg
CPS3-10 MULTINOX VE+ 4-70	N4810410	1.60 kW	1.3 kW	3.2 A	29 kg
CPS3-10 MULTINOX VE+ 4-90	N4810420	2.00 kW	1.5 kW	4.0 A	30 kg
CPS3-10 MULTINOX VE+ 4-120	N4810430	2.60 kW	1.5 kW	5.2 A	32 kg
CPS3-10 MULTINOX VE+ 6-30	N4810350	0.90 kW	0.7 kW	2.3 A	21 kg
CPS3-10 MULTINOX VE+ 6-50	N4810440	1.40 kW	1.3 kW	3.2 A	25 kg
CPS3-10 MULTINOX VE+ 6-70	N4810450	1.80 kW	1.5 kW	3.6 A	29 kg
CPS3-10 MULTINOX VE+ 6-90	N4810460	2.41 kW	1.5 kW	7.6 A	30 kg
CPS3-10 MULTINOX VE+ 8-30	N4810470	1.00 kW	1.3 kW	2.1 A	21 kg
CPS3-10 MULTINOX VE+ 8-50	N4810480	1.80 kW	1.5 kW	3.6 A	25 kg
CPS3-10 MULTINOX VE+ 8-70	N4810490	2.60 kW	1.5 kW	5.0 A	41 kg
CPS3-10 MULTINOX VE+ 8-90	N4800380	-	3.0 kW	9.7 A	42 kg
CPS3-10 MULTINOX VE+ 8-120	N4800390	-	4.0 kW	12.3 A	45 kg

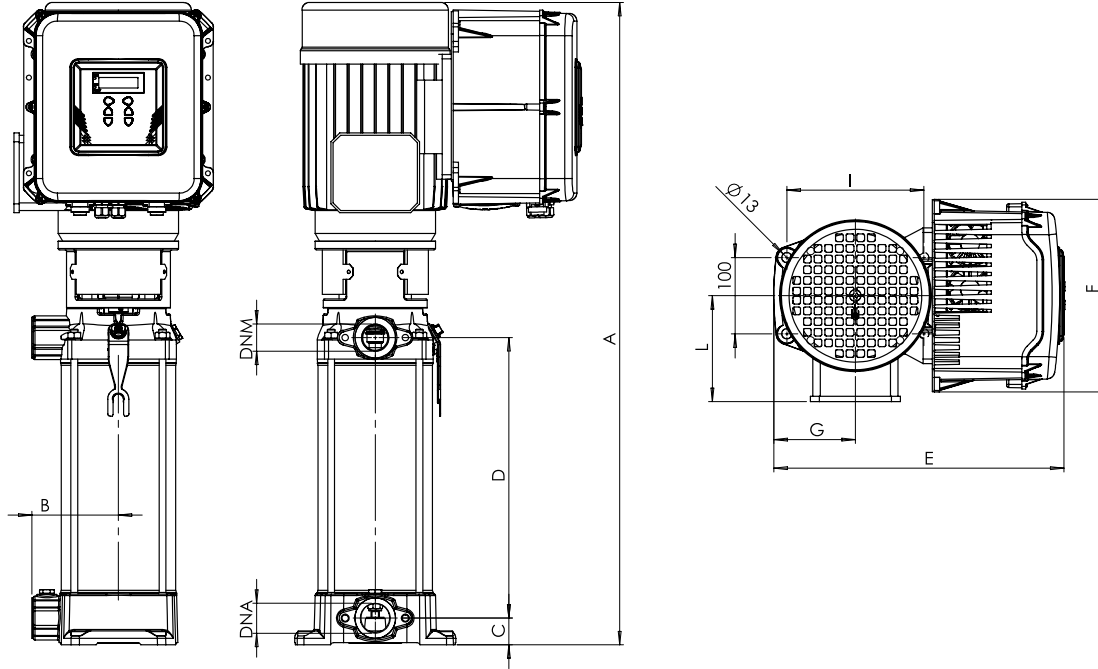
Figure 1



CPS3-10/MULTINOX-VE+

FREQUENCY CONVERTER - THREE PHASE

Figure 2



DIMENSIONS [mm]

Type	Fig.	A	B	C	D	F	G	I	L	DNA	DNM	E
CPS3-10 MULTINOX VE+ 4-30	1	416	115	35	130	220	80	180		1 1/4"	1 1/4"	213
CPS3-10 MULTINOX VE+ 4-50	1	470	115	35	184	220	80	180		1 1/4"	1 1/4"	213
CPS3-10 MULTINOX VE+ 4-70	1	524	115	35	238	220	80	180		1 1/4"	1 1/4"	213
CPS3-10 MULTINOX VE+ 4-90	1	578	115	35	292	220	80	180		1 1/4"	1 1/4"	213
CPS3-10 MULTINOX VE+ 4-120	1	660	115	35	373	220	80	180		1 1/4"	1 1/4"	213
CPS3-10 MULTINOX VE+ 6-30	1	416	115	35	130	220	80	180		1 1/4"	1 1/4"	213
CPS3-10 MULTINOX VE+ 6-50	1	470	115	35	184	220	80	180		1 1/4"	1 1/4"	213
CPS3-10 MULTINOX VE+ 6-70	1	524	115	35	238	220	80	180		1 1/4"	1 1/4"	213
CPS3-10 MULTINOX VE+ 6-90	1	578	115	35	292	220	80	180		1 1/4"	1 1/4"	213
CPS3-10 MULTINOX VE+ 8-30	1	416	115	35	130	220	80	180		1 1/4"	1 1/4"	213
CPS3-10 MULTINOX VE+ 8-50	1	470	115	35	184	220	80	180		1 1/4"	1 1/4"	213
CPS3-10 MULTINOX VE+ 8-70	1	524	115	35	373	220	80	180		1 1/4"	1 1/4"	213
CPS3-10 MULTINOX VE+ 8-90	2	730	115	35	292	253	105	180	140	1 1/4"	1 1/4"	370
CPS3-10 MULTINOX VE+ 8-120	2	855	115	35	373	253	105	180	145	1 1/4"	1 1/4"	380

CPS3-10/PVM

FREQUENCY CONVERTER - THREE PHASE



- Pressure measurement with the possibility to manage 2 independent levels adjustable by means of a time added internally or with an external connection
- Start and stop
- Internal clock
- Calculation of the speed of the motor
- Protection against dry running
- Over and under current protection

DESCRIPTION

CPS 3-10 is an electronic device capable of changing the frequency of a pump. Integrated directly on the motor, it allows to adjust its speed so as to supply the same pressure at all times, even when the water demand changes. CPS represents a compact, essential and reliable solution which is easy to use; designed to offer great comfort and benefits in various applications such as: irrigation, pressurization and water transfer, residential, commercial and industrial uses. The CPS range is characterised by a simple and elegant design with a backlight graphic display which informs the user of the operating parameters in real time.

The operating principle is simple and effective. The CPS powers the electric motor of the pump on which it is mounted and, by means of a feedback system that uses a pressure transducer, it changes the supply frequency of the electric motor depending on the water demand in order to keep the output pressure of the pump constant, the value of which is set on the device (set point). CPS ensures high levels of efficiency and greater flexibility in performance, ensuring a high energy saving and making the use of other control devices unnecessary.

APPLICATIONS

- Pressurization systems
- Water supply
- Industry
- Construction
- Washes

MECHANICAL DATA

Run dry protection	Yes	Mechanical seal	SiC/SiC
Shaft	Stainless steel 1.4057; AISI 431	Gasket	EPDM

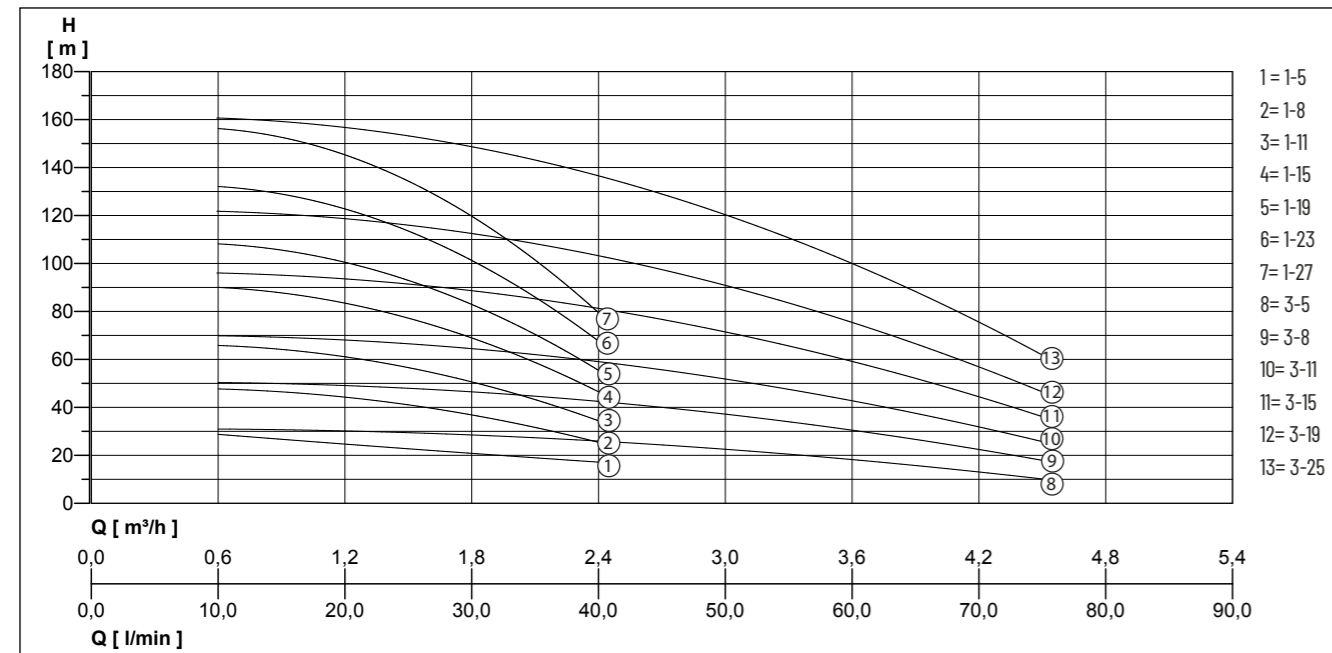
ELECTRICAL DATA

Voltage	3/N/PE-400 V	Ambient temperature max.	50 °C
Type of enclosure	IP55 (if installed on motors with a degree of protection IP55 or above)		

CPS3-10/PVM 1 PVM 3

FREQUENCY CONVERTER - THREE PHASE

PERFORMANCE



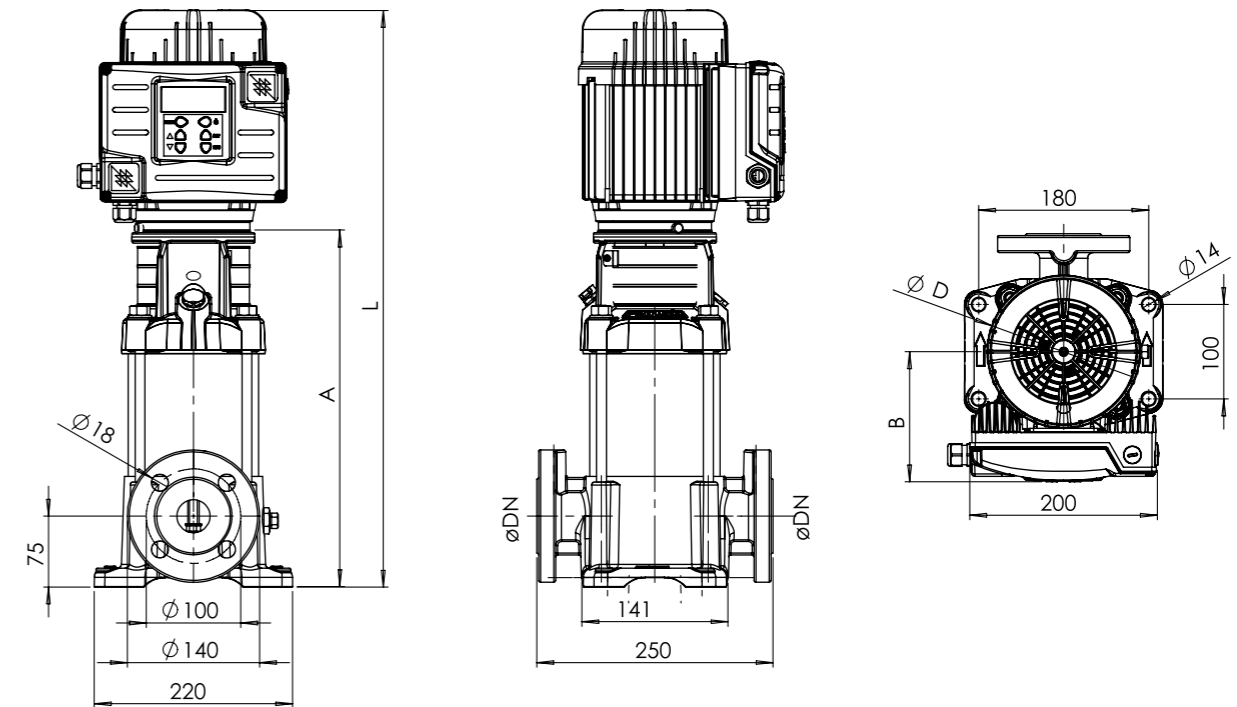
Type	Flow rate Q [m³/h]	0	0.6	1.2	1.8	2.4	3.6	4.5
CPS3-10 PVM 1-5 F	Delivery head H [m]	30.4	29.4	22.7	22.8	16.5		
CPS3-10 PVM 1-8 F		48.8	47.6	44.5	36.6	25.5		
CPS3-10 PVM 1-11 F		67.2	65.7	61.4	50.3	34.5		
CPS3-10 PVM 1-15 F		91.6	89.9	83.8	68.6	46.6		
CPS3-10 PVM 1-19 F		110.0	108.0	100.7	82.4	55.6		
CPS3-10 PVM 1-23 F		134.5	132.2	123.1	100.7	67.7		
CPS3-10 PVM 1-27 F		159.0	156.4	145.6	119.0	79.7		
CPS3-10 PVM 3-5 F		31.9	30.0			26.2	18.0	10.0
CPS3-10 PVM 3-8 F		51.9	48.9			42.9	30.1	17.8
CPS3-10 PVM 3-11 F		71.8	67.9			59.6	42.1	25.7
CPS3-10 PVM 3-15 F		98.4	93.2			81.9	58.2	36.1
CPS3-10 PVM 3-19 F		125.0	118.4			104.2	74.3	46.5
CPS3-10 PVM 3-25 F		164.9	156.3			137.6	98.4	62.1

CPS3-10/PVM 1 PVM 3

FREQUENCY CONVERTER - THREE PHASE

CPS3-10/PVM 1 PVM 3

Type	Code No.	Motor rating P1	Motor rating P2	Current	Impeller	Pump housing	Temperature of the liquid max.	Weight
CPS3-10 PVM 1-5 F	N4810360	0.4 kW	0.37 kW	1.50 A	Stainless steel 1.4301; AISI 304	Cast iron EN GJL 200	120 °C	29 kg
CPS3-10 PVM 1-8 F	N4810380	0.6 kW	0.55 kW	2.30 A	Stainless steel 1.4301; AISI 304	Cast iron EN GJL 200	120 °C	31 kg
CPS3-10 PVM 1-11 F	N4810390	0.9 kW	0.55 kW	2.10 A	Stainless steel 1.4301; AISI 304	Cast iron EN GJL 200	120 °C	32 kg
CPS3-10 PVM 1-15 F	N4810030	-	0.75 kW	4.40 A	Stainless steel 1.4301; AISI 304	Cast iron EN GJL 200	-	36 kg
CPS3-10 PVM 1-19 F	N4810040	-	1.10 kW	5.50 A	Stainless steel 1.4301; AISI 304	Cast iron EN GJL 200	120 °C	38 kg
CPS3-10 PVM 1-23 F	N4810050	-	1.10 kW	6.70 A	Stainless steel 1.4301; AISI 304	Cast iron EN GJL 200	120 °C	40 kg
CPS3-10 PVM 1-27 F	N4810060	-	1.50 kW	7.80 A	Stainless steel 1.4301; AISI 304	Stainless steel X5 CrNi 1810 (AISI 304)	120 °C	50 kg
CPS3-10 PVM 3-5 F	N4810370	0.4 kW	0.37 kW	0.90 A	Stainless steel 1.4301; AISI 304	Cast iron EN GJL 200	120 °C	29 kg
CPS3-10 PVM 3-8 F	N4810080	-	0.75 kW	1.45 A	Stainless steel 1.4301; AISI 304	Cast iron EN GJL 200	120 °C	33 kg
CPS3-10 PVM 3-11 F	N4810090	-	0.75 kW	2.00 A	Stainless steel 1.4301; AISI 304	Cast iron EN GJL 200	120 °C	35 kg
CPS3-10 PVM 3-15 F	N4810100	-	1.10 kW	2.70 A	Stainless steel 1.4301; AISI 304	Cast iron EN GJL 200	120 °C	37 kg
CPS3-10 PVM 3-19 F	N4810110	-	1.50 kW	3.40 A	Stainless steel 1.4301; AISI 304	Cast iron EN GJL 200	120 °C	47 kg
CPS3-10 PVM 3-25 F	N4810120	-	2.20 kW	4.50 A	Stainless steel 1.4301; AISI 304	Cast iron EN GJL 200	120 °C	52 kg



CPS3-10/PVM 1 PVM 3

FREQUENCY CONVERTER - THREE PHASE

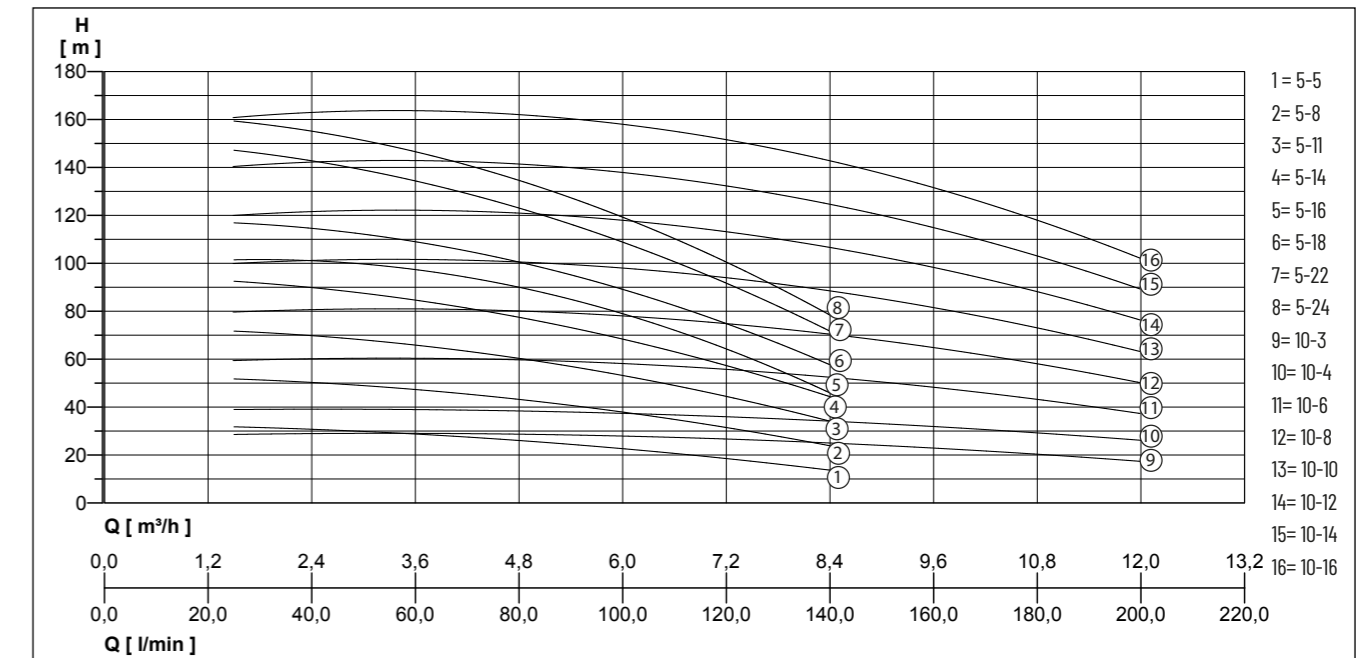
DIMENSIONS [mm]

Type	A	B	C	D	F	G	DN	E
CPS3-10 PVM 1-5 F	510	250	75	135	100	180	32	232
CPS3-10 PVM 1-8 F	564	250	75	135	100	180	32	232
CPS3-10 PVM 1-11 F	618	250	75	135	100	180	32	232
CPS3-10 PVM 1-15 F	736	250	75	135	100	180	32	232
CPS3-10 PVM 1-19 F	808	250	75	135	100	180	32	232
CPS3-10 PVM 1-23 F	880	250	75	135	100	180	32	232
CPS3-10 PVM 1-27 F	1024	250	75	135	100	180	32	232
CPS3-10 PVM 3-5 F	510	510	510	510	510	510	32	510
CPS3-10 PVM 3-8 F	610	610	610	610	610	610	32	610
CPS3-10 PVM 3-11 F	664	664	664	664	664	664	32	664
CPS3-10 PVM 3-15 F	736	736	736	736	736	736	32	736
CPS3-10 PVM 3-19 F	880	880	880	880	880	880	32	880
CPS3-10 PVM 3-25 F	988	988	988	988	988	988	32	988

CPS3-10/PVM 5 PVM 10

FREQUENCY CONVERTER - THREE PHASE

PERFORMANCE



Type	Flow rate Q [m³/h]	0	1.5	3	4.5	6	7.5	8.4	9	10.5	12
CPS3-10 PVM 5-5 F	Delivery head H [m]	32.3		29.4	26.8	22.9	17.5	13.5			
CPS3-10 PVM 5-8 F		52.9		48.5	44.3	38.2	29.9	23.6			
CPS3-10 PVM 5-11 F		73.5		67.5	61.8	53.5	42.3	33.8			
CPS3-10 PVM 5-14 F		94.1		86.6	79.4	68.9	54.6	43.9			
CPS3-10 PVM 5-16 F		107.8		99.3	91.0	79.1	62.9	50.7			
CPS3-10 PVM 5-18 F		121.5		112.0	102.7	89.3	71.1	57.4			
CPS3-10 PVM 5-22 F		149.0		137.4	126.1	109.7	87.6	70.9			
CPS3-10 PVM 5-24 F		162.7		150.1	137.8	119.9	95.9	77.7			
CPS3-10 PVM 10-3 F		28.6	28.8	29.0	28.4	27.8	26.4		24.4	21.1	17.1
CPS3-10 PVM 10-4 F		38.8	39.0	39.2	38.0	37.7	36.0		33.2	29.0	23.6
CPS3-10 PVM 10-6 F		59.2	59.6	59.8	59.2	57.5	55.0		50.8	44.7	36.5
CPS3-10 PVM 10-8		79.6	79.8	80.3	79.9	77.4	73.6		68.4	59.7	49.5
CPS3-10 PVM 10-10		99.9	100.1	101.0	100.3	97.2	92.6		86.0	75.2	62.4
CPS3-10 PVM 10-12		120.0	120.5	121.0	120.8	117.0	111.5		104.0	90.7	75.4
CPS3-10 PVM 10-14		141.0	140.8	142.0	141.2	137.0	130.4		121.2	106.2	88.3
CPS3-10 PVM 10-16		161.0	161.2	163.0	161.7	157.0	149.3		139.0	121.7	101.0

CPS3-10/PVM 5 PVM 10

FREQUENCY CONVERTER - THREE PHASE

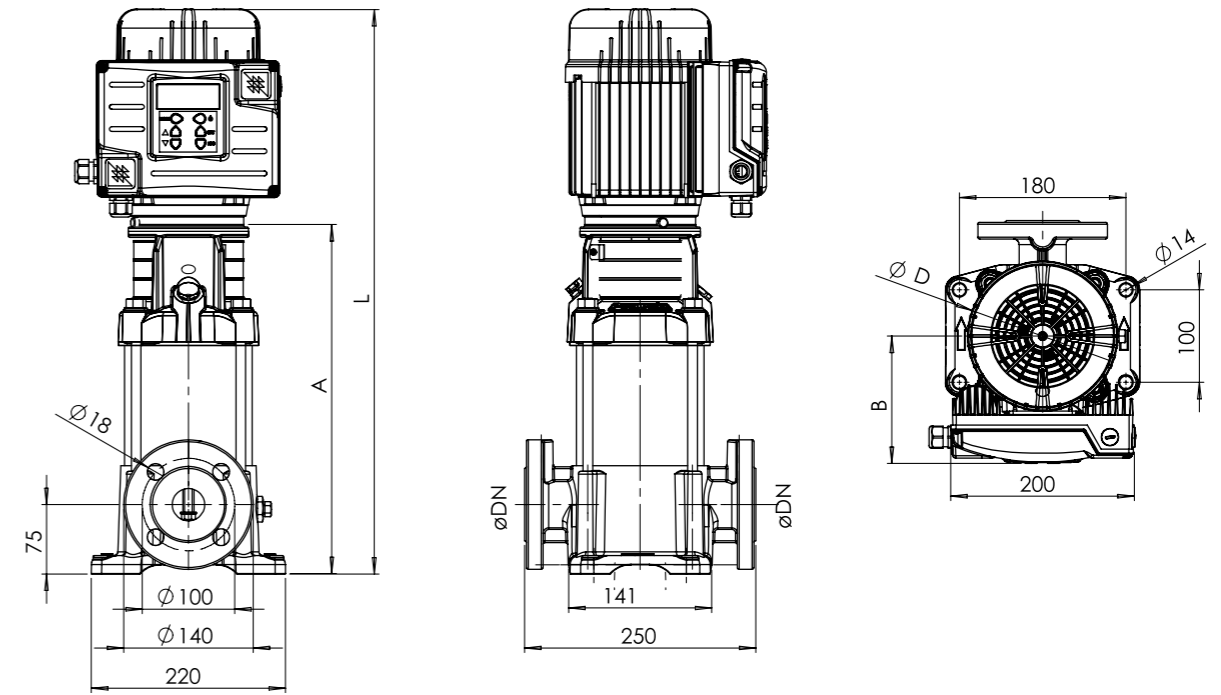
CPS3-10/PVM 5 PVM 10

Type	Code No.	Motor rating P2	Current	Impeller	Pump housing	Temperature of the liquid max.	Weight
CPS3-10 PVM 5-5 F	N4810130	0.75 kW	1.7 A	Stainless steel 1.4301; AISI 304	Cast iron EN GJL 200	120 °C	32 kg
CPS3-10 PVM 5-8 F	N4810140	1.10 kW	2.7 A	Stainless steel 1.4301; AISI 304	Cast iron EN GJL 200	120 °C	35 kg
CPS3-10 PVM 5-11 F	N4810150	2.20 kW	3.7 A	Stainless steel 1.4301; AISI 304	Cast iron EN GJL 200	120 °C	48 kg
CPS3-10 PVM 5-14 F	N4810160	2.20 kW	4.8 A	Stainless steel 1.4301; AISI 304	Cast iron EN GJL 200	120 °C	50 kg
CPS3-10 PVM 5-16 F	N4810170	2.20 kW	5.4 A	Stainless steel X5CrNi18-10 (AISI 304)	Cast iron EN GJL 200	120 °C	51 kg
CPS3-10 PVM 5-18 F	N4800450	3.00 kW	6.1 A	Stainless steel 1.4301; AISI 304	Cast iron EN GJL 200	120 °C	59 kg
CPS3-10 PVM 5-22 F	N4800460	4.00 kW	7.5 A	Stainless steel 1.4301; AISI 304	Cast iron EN GJL 200	120 °C	65 kg
CPS3-10 PVM 5-24 F	N4800470	4.00 kW	8.2 A	Stainless steel 1.4301; AISI 304	Cast iron EN GJL 200	120 °C	66 kg
CPS3-10 PVM 10-3 F	N4810180	1.10 kW	2.4 A	Stainless steel 1.4301; AISI 304	Cast iron EN GJL 200	120 °C	45 kg
CPS3-10 PVM 10-4 F	N4810190	1.50 kW	3.2 A	Stainless steel 1.4301; AISI 304	Cast iron EN GJL 200	120 °C	55 kg
CPS3-10 PVM 10-6 F	N4810200	2.20 kW	4.8 A	Stainless steel 1.4301; AISI 304	-	120 °C	60 kg
CPS3-10 PVM 10-8	N4800400	3.00 kW	6.4 A	Stainless steel 1.4301; AISI 304	Cast iron EN GJL 200	120 °C	70 kg
CPS3-10 PVM 10-10	N4800410	4.00 kW	8.0 A	Stainless steel 1.4301; AISI 304	Cast iron EN GJL 200	120 °C	75 kg
CPS3-10 PVM 10-12	N4800420	4.00 kW	9.6 A	Stainless steel 1.4301; AISI 304	Cast iron EN GJL 200	120 °C	77 kg
CPS3-10 PVM 10-14	N4800430	5.50 kW	11.0 A	Stainless steel 1.4301; AISI 304	Cast iron EN GJL 200	120 °C	109 kg
CPS3-10 PVM 10-16	N4800440	5.50 kW	13.0 A	Stainless steel 1.4301; AISI 304	Cast iron EN GJL 200	120 °C	111 kg

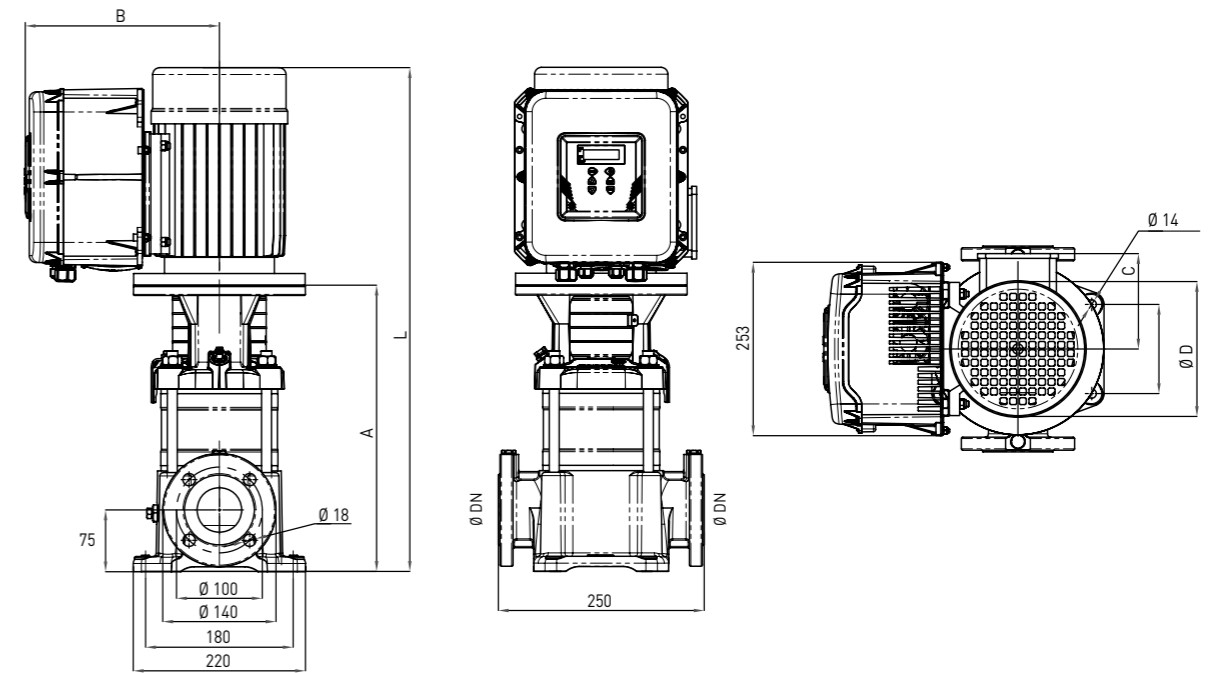
CPS3-10/PVM 5 PVM 10

FREQUENCY CONVERTER - THREE PHASE

CPS3-10 PVM 5 Fig. 1



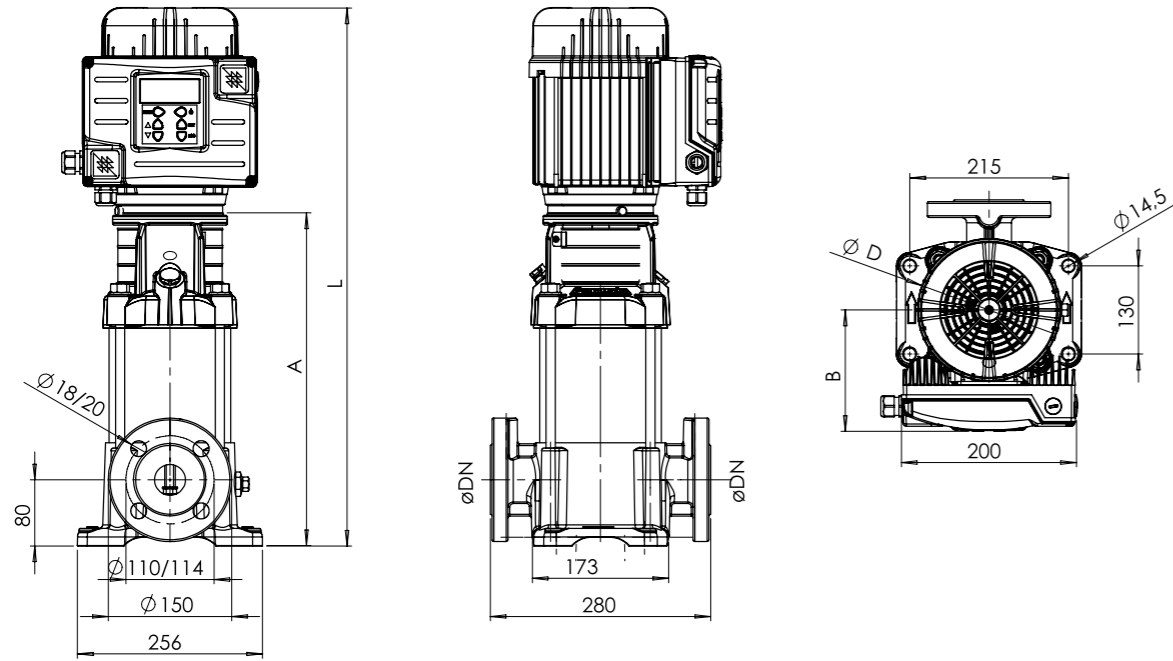
CPS3-10 PVM 5 Fig. 2



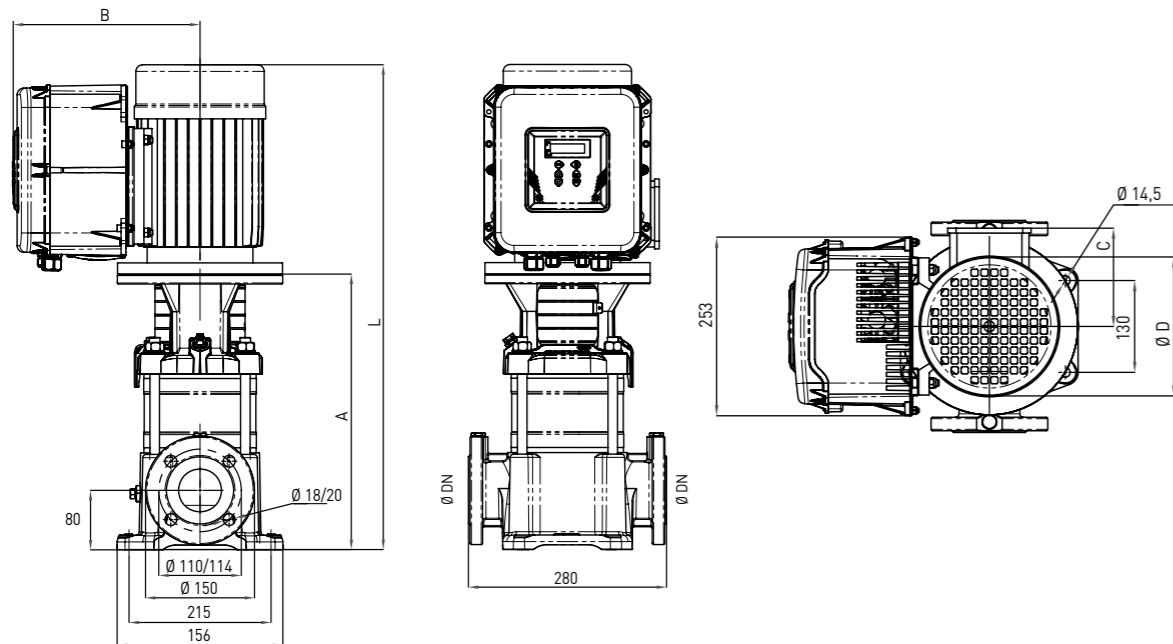
CPS3-10/PVM 5 PVM 10

FREQUENCY CONVERTER - THREE PHASE

CPS3-10 PVM 10 Fig. 1



CPS3-10 PVM 10 Fig. 2



CPS3-10/PVM 5 PVM 10

FREQUENCY CONVERTER - THREE PHASE

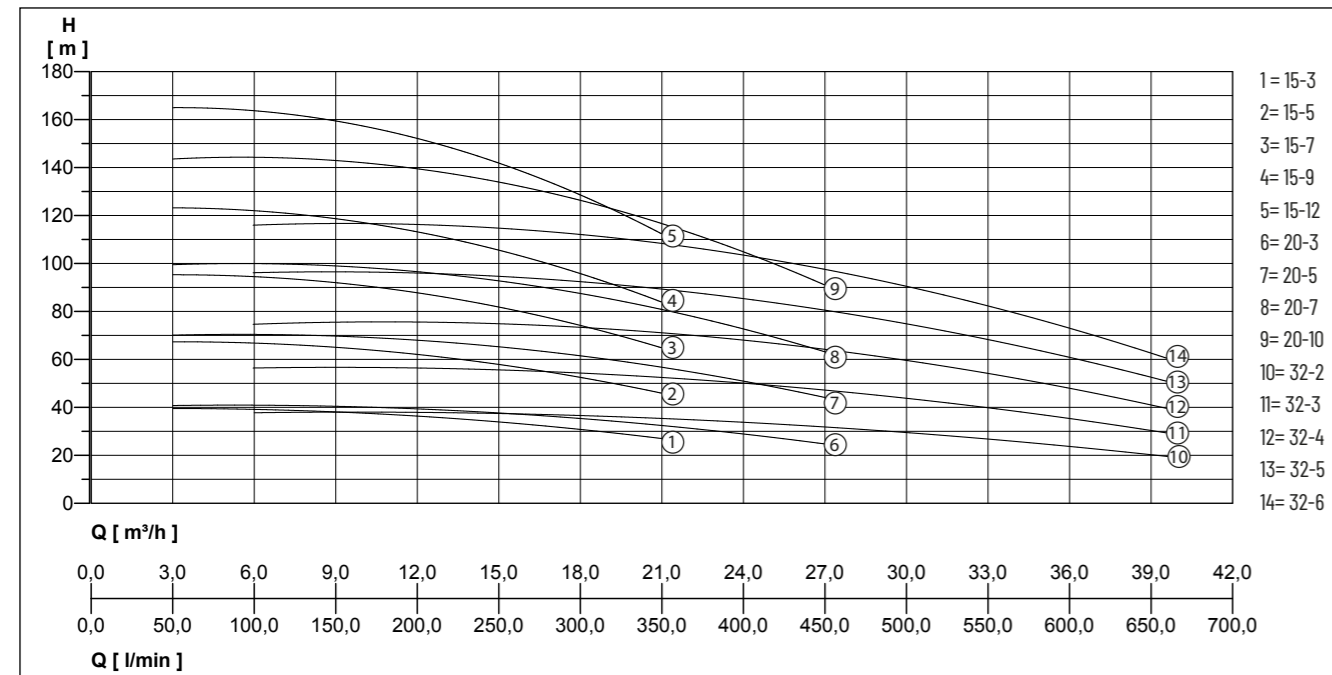
DIMENSIONS [mm]

Type	Fig.	A	B	C	D	L	DN
CPS3-10 PVM 5-5 F	1	366	132		141	601	32
CPS3-10 PVM 5-8 F	1	447	132		141	682	32
CPS3-10 PVM 5-11 F	1	544	155		180	811	32
CPS3-10 PVM 5-14 F	1	625	155		180	892	32
CPS3-10 PVM 5-16 F	1	679	155		180	946	32
CPS3-10 PVM 5-18 F	2	737	274	145	196	1058	32
CPS3-10 PVM 5-22 F	2	845	286	161	225	1173	32
CPS3-10 PVM 5-24 F	2	899	286	161	225	1227	32
CPS3-10 PVM 10-3 F	1	377	132		141	612	40
CPS3-10 PVM 10-4 F	1	423	155		180	690	40
CPS3-10 PVM 10-6 F	1	483	155		180	750	40
CPS3-10 PVM 10-8	2	548	274	145	196	869	40
CPS3-10 PVM 10-10	2	608	286	161	225	936	40
CPS3-10 PVM 10-12	2	668	286	161	225	996	40
CPS3-10 PVM 10-14	2	760	306	195	248	1125	40
CPS3-10 PVM 10-16	2	820	306	195	248	1185	40

CPS3-10/PVM 15 PVM 32

FREQUENCY CONVERTER - THREE PHASE

PERFORMANCE



Type	Flow rate Q [m³/h]	0	3	6	9	12	15	18	21	24	27	30	36	39.6
CPS3-10 PVM 15-3	Delivery head H [m]	39.8	39.6	39.2	37.8	36.3	34.1	31.0	26.8					
CPS3-10 PVM 15-5		68.0	67.4	66.9	64.7	62.0	58.1	52.7	45.7					
CPS3-10 PVM 15-7		96.2	95.3	94.7	91.6	87.7	82.0	74.4	64.6					
CPS3-10 PVM 15-9		124.0	123.2	122.4	118.0	113.0	106.0	96.0	83.6					
CPS3-10 PVM 15-12		167.0	165.0	163.9	159.0	152.0	142.0	129.0	112.0					
CPS3-10 PVM 20-3		41.8	41.2	40.8	39.9	39.1	37.5	35.6	33.0	29.3	24.1			
CPS3-10 PVM 20-5		71.6	70.7	70.3	69.0	67.7	64.9	61.7	57.2	52.4	42.8			
CPS3-10 PVM 20-7		101.0	100.3	99.7	98.0	96.3	92.4	87.7	81.3	74.6	61.5			
CPS3-10 PVM 20-10		146.0	144.6	144.0	141.6	139.0	133.6	127.0	117.6	106.0	89.5			
CPS3-10 PVM 32-2		39.2		38.0		37.7		36.2		33.8		29.8	24.2	19.0
CPS3-10 PVM 32-3		58.7		58.0		57.4		55.0		51.5		45.5	37.2	30.0
CPS3-10 PVM 32-4		78.2		76.0		77.1		73.9		69.2		61.2	50.3	40.0
CPS3-10 PVM 32-5		97.8		98.0		96.8		92.7		86.8		76.9	63.3	51.0
CPS3-10 PVM 32-6		117.0		118.0		117.0		112.0		105.0		92.6	76.3	60.0

CPS3-10/PVM 15 PVM 32

Type	Code No.	Motor rating P2	Current	Impeller	Pump housing	Temperature of the liquid max.	Weight
CPS3-10 PVM 15-3	N4800480	3.0 kW	5.1 A	Stainless steel 1.4301; AISI 304	Cast iron EN GJL 200	120 °C	70 kg
CPS3-10 PVM 15-5	N4800490	4.0 kW	8.5 A	Stainless steel 1.4301; AISI 304	Cast iron EN GJL 200	120 °C	76 kg
CPS3-10 PVM 15-7	N4800500	5.5 kW	12.0 A	Stainless steel 1.4301; AISI 304	Cast iron EN GJL 200	120 °C	109 kg
CPS3-10 PVM 15-9	N4800510	7.5 kW	15.0 A	Stainless steel 1.4301; AISI 304	Cast iron EN GJL 200	120 °C	118 kg
CPS3-10 PVM 15-12	N4800520	11.0 kW	20.0 A	Stainless steel 1.4301; AISI 304	Cast iron EN GJL 200	120 °C	158 kg
CPS3-10 PVM 20-3	N4800540	4.0 kW	8.5 A	Stainless steel 1.4301; AISI 304	Cast iron EN GJL 200	120 °C	73 kg
CPS3-10 PVM 20-5	N4800550	5.5 kW	11.9 A	Stainless steel 1.4301; AISI 304	Cast iron EN GJL 200	120 °C	106 kg
CPS3-10 PVM 20-7	N4800560	7.5 kW	15.3 A	Stainless steel 1.4301; AISI 304	Cast iron EN GJL 200	120 °C	115 kg
CPS3-10 PVM 20-10	N4800570	11.0 kW	20.4 A	Stainless steel 1.4301; AISI 304	Cast iron EN GJL 200	120 °C	155 kg
CPS3-10 PVM 32-2	N4800580	4.0 kW	7.1 A	Stainless steel 1.4301; AISI 304	Cast iron EN GJL 200	120 °C	93 kg
CPS3-10 PVM 32-3	N4800590	5.5 kW	10.7 A	Stainless steel 1.4301; AISI 304	Cast iron EN GJL 200	120 °C	115 kg
CPS3-10 PVM 32-4	N4800600	7.5 kW	14.3 A	Stainless steel 1.4301; AISI 304	Cast iron EN GJL 200	120 °C	125 kg
CPS3-10 PVM 32-5	N4800610	11.0 kW	17.8 A	Stainless steel 1.4301; AISI 304	Cast iron EN GJL 200	120 °C	168 kg
CPS3-10 PVM 32-6	N4800620	11.0 kW	21.4 A	Stainless steel 1.4301; AISI 304	Cast iron EN GJL 200	120 °C	171 kg

CPS3-10/PVM 15 PVM 32

FREQUENCY CONVERTER - THREE PHASE

Fig. 1

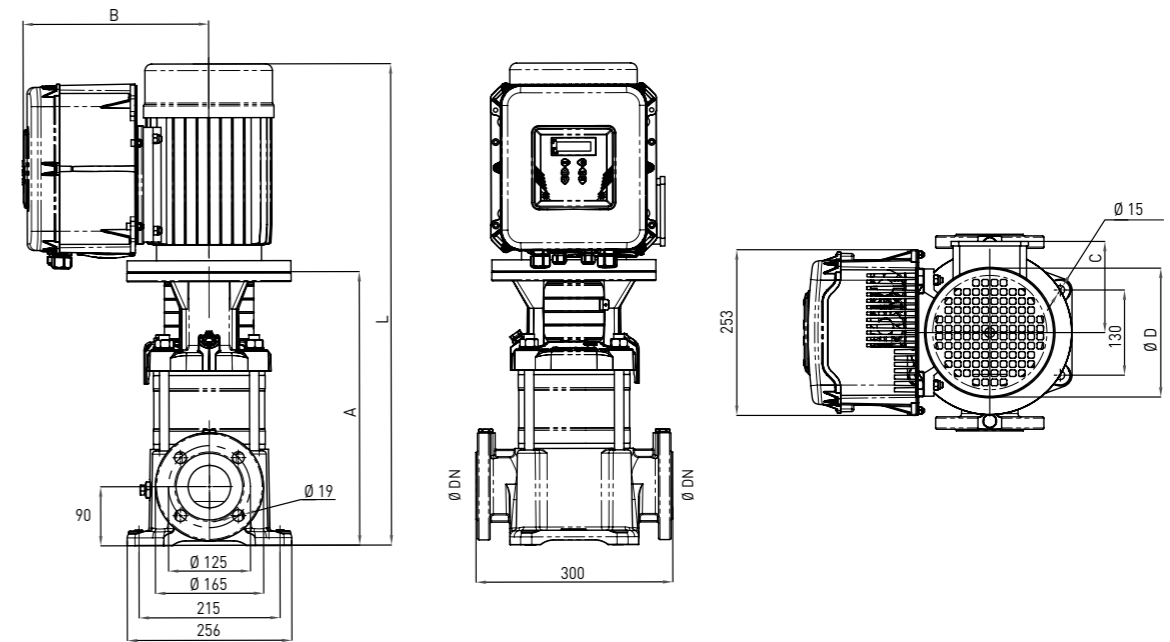
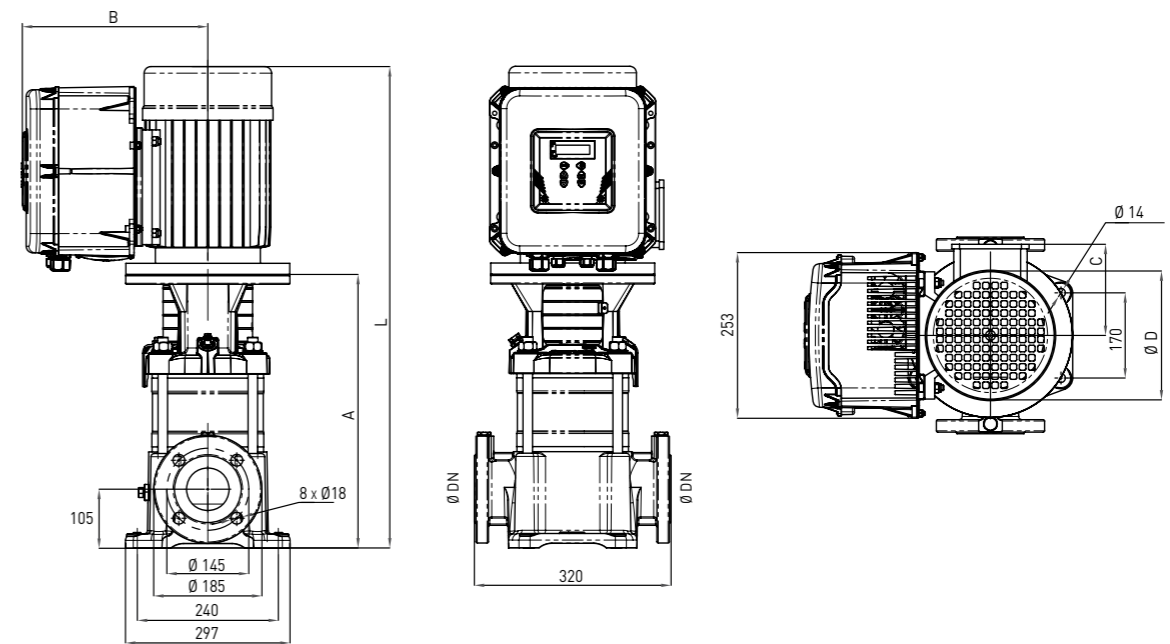


Fig. 2



CPS3-10/PVM 15 PVM 32

FREQUENCY CONVERTER - THREE PHASE

DIMENSIONS [mm]

Type	Fig.	A	B	C	D	L	DN
CPS3-10 PVM 15-3	1	465	274	145	196	786	50
CPS3-10 PVM 15-5	1	555	286	161	225	883	50
CPS3-10 PVM 15-7	1	677	306	195	248	1042	50
CPS3-10 PVM 15-9	1	767	306	195	248	1152	50
CPS3-10 PVM 15-12	1	979	334	238	317	1477	50
CPS3-10 PVM 20-3	1	465	286	161	225	793	50
CPS3-10 PVM 20-5	1	587	306	195	248	952	50
CPS3-10 PVM 20-7	1	677	306	195	248	1062	50
CPS3-10 PVM 20-10	1	889	334	238	317	1387	50
CPS3-10 PVM 32-2	2	574	286	161	225	902	65
CPS3-10 PVM 32-3	2	644	306	195	248	1009	65
CPS3-10 PVM 32-4	2	714	306	195	248	1099	65
CPS3-10 PVM 32-5	2	894	334	238	317	1392	65
CPS3-10 PVM 32-6	2	964	334	238	317	1462	65