

## DHR

### SURFACE PUMPS - HORIZONTAL MULTISTAGE

- Low energy consumption
- Extremely silent operation
- Impellers and diffusers made of stainless steel AISI 304
- Threaded ports set for oval fittings (range DHR 9)



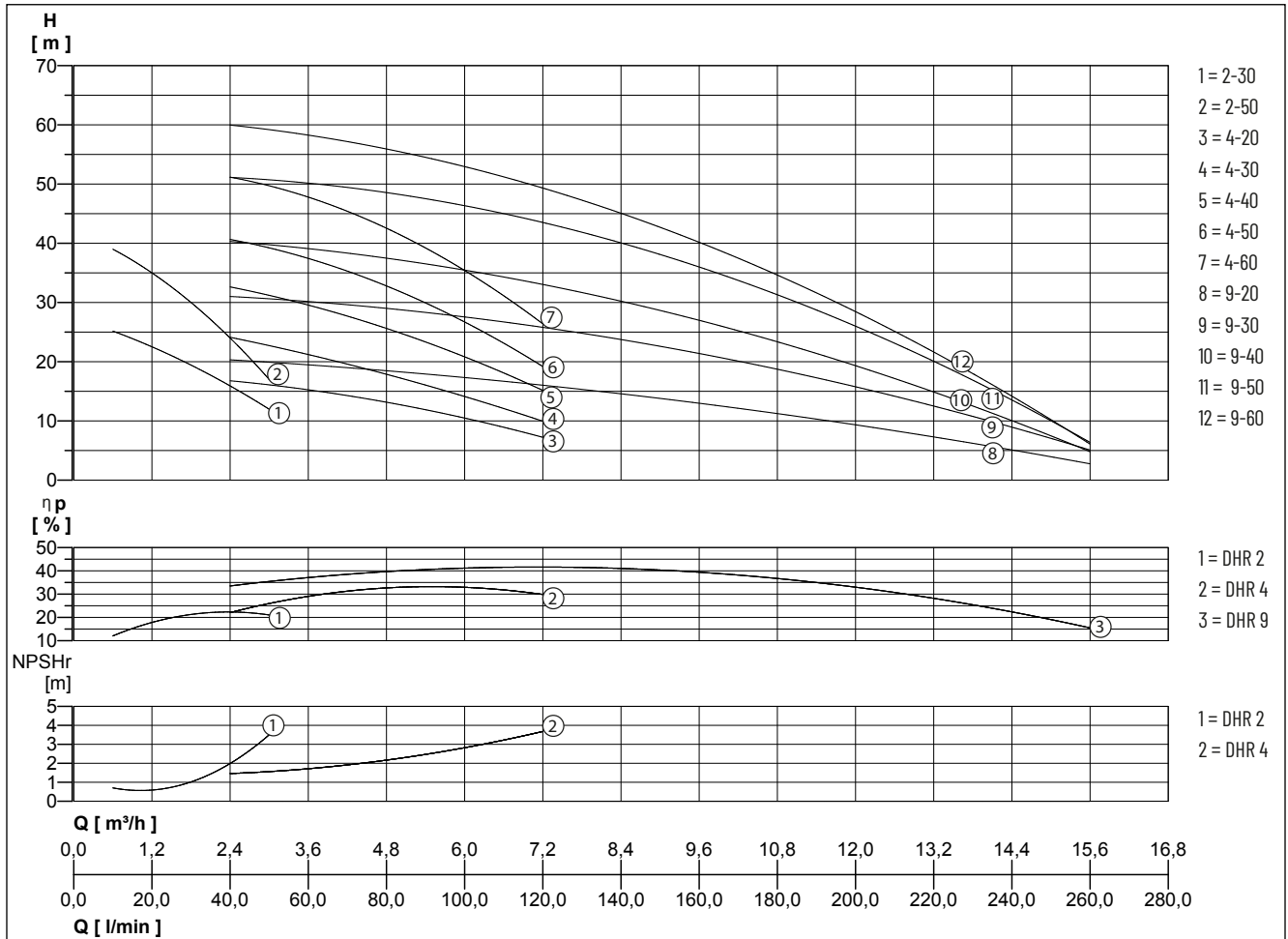
#### DESCRIPTION

The DHR series pumps are horizontal centrifugal pumps, not self-priming. All the rotating parts that come into contact with the pumped liquid are made of stainless steel AISI 304.

#### APPLICATIONS

- Lifting and distribution of water in domestic systems in continuous or intermittent operation
- Pressurization systems
- Washing, garden irrigation, supply to fountains, transfers.

#### PERFORMANCE



We reserve the right to change specifications without notice. Pump performance is subject to ISO 9906 ISO 9906:2012 - Grade 3B tolerances.

# DHR

## SURFACE PUMPS - HORIZONTAL MULTISTAGE

Type	Flow rate Q [m <sup>3</sup> /h]	0.6	1.2	1.8	2.4	3	3.6	4.8	6	7.2	9.6	12	14.4	15.6
DHR 2-30 M/T	Delivery head H [m]	25	23	19	16	12								
DHR 2-50 M/T		39	35	30	24	17								
DHR 4-20 M/T					17	16	15	13	11	7				
DHR 4-30 M/T					24	23	21	18	14	10				
DHR 4-40 M/T					33	31	29	26	21	15				
DHR 4-50 M/T					41	39	37	33	27	19				
DHR 4-60 M/T					52	49	47	43	36	26				
DHR 9-20 M/T					20			19		16	13	9	5	3
DHR 9-30 M/T					31			29		26	21	16	9	5
DHR 9-40 M/T					40			38		33	27	19	10	5
DHR 9-50 M/T					51			49		43	36	26	14	6
DHR 9-60 T					60			56		49	40	29	14	6

### MECHANICAL DATA

Shaft	Stainless steel X5 CrNi 1810 (AISI 304)	Mechanical seal	Ceramic / Graphite / NBR
Impeller	Stainless steel X5CrNi18-10 (AISI 304)	Operating pressure max.	10 bar (temp. of liquid 50°C) 6 bar (temp. of liquid 90°C)
Motor housing	Cast aluminium	Type of liquid	clean water without suspended solids or abrasive material
Diffuser	Stainless steel X5CrNi18-10 (AISI 304)	Temperature of the liquid max.	90 °C
		Gasket	NBR

### ELECTRICAL DATA

Type of enclosure	IP 55	Ambient temperature max.	50 °C
Insulation class	F	Rotation speed	2850 rpm

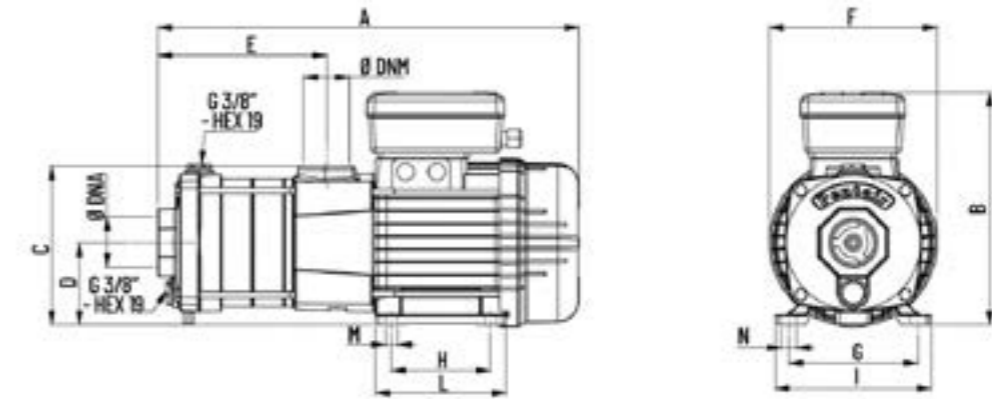
### DHR

Type	Code No.	Voltage	Motor rating		Current	Weight
			P1	P2		
DHR 2-30 M	E9302103	1/N/PE~230 V	0.52 kW	0.30 kW	2.6 A	10.2 kg
DHR 2-30 T	E9301203	3/PE~230/400 V	0.50 kW	0.40 kW	1.8 A/1.0 A	10.2 kg
DHR 2-50 M	E9302105	1/N/PE~230 V	0.75 kW	0.50 kW	3.5 A	11.5 kg
DHR 2-50 T	E9301205	3/PE~230/400 V	0.75 kW	0.75 kW	3.1 A/1.7 A	11.5 kg
DHR 4-20 M	E9402102	1/N/PE~230 V	0.55 kW	0.37 kW	2.7 A	10.5 kg
DHR 4-20 T	E9401202	3/PE~230/400 V	0.60 kW	0.40 kW	1.9 A/1.1 A	10.5 kg
DHR 4-30 M	E9402103	1/N/PE~230 V	0.80 kW	0.50 kW	3.7 A	10.7 kg
DHR 4-30 T	E9401203	3/PE~230/400 V	0.75 kW	0.75 kW	3.1 A/1.7 A	10.7 kg
DHR 4-40 M	E9402104	1/N/PE~230 V	1.00 kW	0.70 kW	4.5 A	12.0 kg
DHR 4-40 T	E9401304	3/PE~230/400 V	0.95 kW	0.75 kW	3.4 A/1.9 A	12.0 kg
DHR 4-50 M	E9402105	1/N/PE~230 V	1.25 kW	0.90 kW	5.8 A	13.9 kg
DHR 4-50 T	E9401305	3/PE~230/400 V	1.10 kW	0.90 kW	3.6 A/2.1 A	13.9 kg
DHR 4-60 M	E9402106	1/N/PE~230 V	1.50 kW	1.20 kW	7.0 A	17.0 kg
DHR 4-60 T	E9401306	3/PE~230/400 V	1.35 kW	1.30 kW	4.5 A/2.6 A	17.0 kg
DHR 9-20 M	E9502102	1/N/PE~230 V	1.00 kW	0.65 kW	4.5 A	19.2 kg
DHR 9-20 T	E9501202	3/PE~230/400 V	0.90 kW	0.70 kW	3.0 A/1.7 A	17.5 kg
DHR 9-30 M	E9502103	1/N/PE~230 V	1.40 kW	0.95 kW	6.0 A	20.0 kg
DHR 9-30 T	E9501303	3/PE~230/400 V	1.35 kW	1.30 kW	4.2 A/2.4 A	19.1 kg
DHR 9-40 M	E9502104	1/N/PE~230 V	1.80 kW	1.30 kW	8.0 A	21.5 kg
DHR 9-40 T	E9501304	3/PE~230/400 V	1.60 kW	1.30 kW	5.1 A/3.0 A	20.1 kg
DHR 9-50 M	E9502105	1/N/PE~230 V	2.20 kW	1.60 kW	10.0 A	23.7 kg
DHR 9-50 T	E9501305	3/PE~230/400 V	1.85 kW	1.50 kW	5.7 A/3.4 A	22.0 kg
DHR 9-60 T	E9501306	3/PE~230/400 V	2.30 kW	1.50 kW	7.4 A/4.2 A	24.0 kg

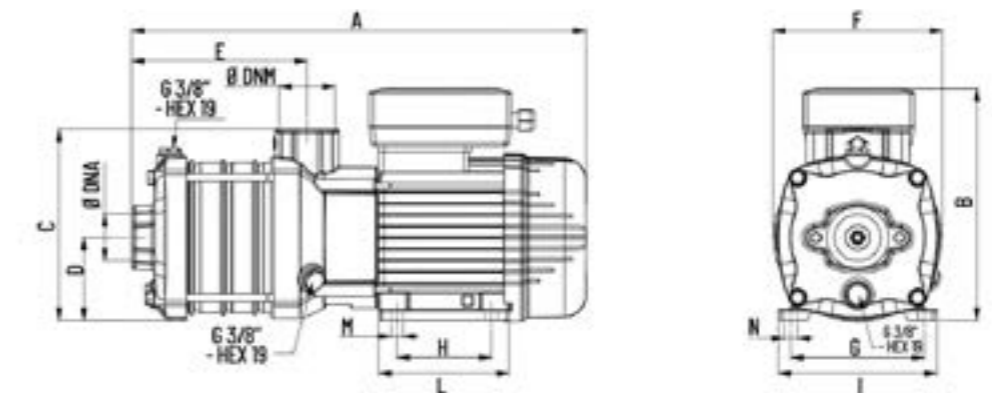
# DHR

## SURFACE PUMPS - HORIZONTAL MULTISTAGE

### DHR 2-4



### DHR 9



# DHR

## SURFACE PUMPS - HORIZONTAL MULTISTAGE

### DIMENSIONS [mm]

Type	A	B	C	D	F	G	H	I	L	M	N	DNA	DNM	E
DHR 2-30 M	326	205	137,5	71	142	112	90	135	112	7,5	12	1"	1"	105
DHR 2-30 T	326	190	137,5	71	142	112	90	135	112	7,5	12	1"	1"	105
DHR 2-50 M	362	205	137,5	71	142	112	90	135	112	7,5	12	1"	1"	141
DHR 2-50 T	362	190	137,5	71	142	112	90	135	112	7,5	12	1"	1"	141
DHR 4-20 M	339	205	137,5	71	142	112	90	135	112	7,5	12	1 1/4"	1"	119
DHR 4-20 T	339	190	137,5	71	142	112	90	135	112	7,5	12	1 1/4"	1"	119
DHR 4-30 M	339	205	137,5	71	142	112	90	135	112	7,5	12	1 1/4"	1"	119
DHR 4-30 T	339	190	137,5	71	142	112	90	135	112	7,5	12	1 1/4"	1"	119
DHR 4-40 M	366	205	137,5	71	142	112	90	135	112	7,5	12	1 1/4"	1"	146
DHR 4-40 T	366	190	137,5	71	142	112	90	135	112	7,5	12	1 1/4"	1"	146
DHR 4-50 M	394	205	137,5	71	142	112	90	135	112	7,5	12	1 1/4"	1"	173
DHR 4-50 T	394	190	137,5	71	142	112	90	135	112	7,5	12	1 1/4"	1"	173
DHR 4-60 M	445	230	149	80	160	125	100	153	125	9	13	1 1/4"	1"	200
DHR 4-60 T	445	209	149	80	160	125	100	153	125	9	13	1 1/4"	1"	200
DHR 9-20 M	378	227	185	80	160	125	100	153	125	9	13	1 1/2"	1 1/4"	107
DHR 9-20 T	378	196	185	80	160	125	100	153	125	9	13	1 1/2"	1 1/4"	107
DHR 9-30 M	378	227	185	80	160	125	100	153	125	9	13	1 1/2"	1 1/4"	107
DHR 9-30 T	378	196	185	80	160	125	100	153	125	9	13	1 1/2"	1 1/4"	107
DHR 9-40 M	408	227	185	80	160	125	100	153	125	9	13	1 1/2"	1 1/4"	137
DHR 9-40 T	408	196	185	80	160	125	100	153	125	9	13	1 1/2"	1 1/4"	137
DHR 9-50 M	438	227	185	80	160	125	100	153	125	9	13	1 1/2"	1 1/4"	168
DHR 9-50 T	438	196	185	80	160	125	100	153	125	9	13	1 1/2"	1 1/4"	168
DHR 9-60 T	468	196	185	80	160	125	100	153	125	9	13	1 1/2"	1 1/4"	198