

## VARIO 1-20

BOOSTER SETS - VARIABLE SPEED

- Easy to install
- Low energy consumption
- Pressure remains constant during supply



### DESCRIPTION

The new series of variable speed pressurization booster set VARIO 1-20 represents a reliable solution which is easy to use, for residential and industrial applications. The system involves the installation in parallel of two inverters integrated directly on the motor of each pump installed. The two frequency converters communicate and alternate the starting order of each work cycle, always keeping the pressure constant in the distribution system.

### APPLICATIONS

- Lifting and distribution of water in domestic systems in continuous or intermittent operation
- Pressurization systems
- Irrigation
- Industry
- Washes

### MECHANICAL DATA

Operating pressure max.	16 bar	Type of liquid	clean water without suspended solids or abrasive material
-------------------------	--------	----------------	---

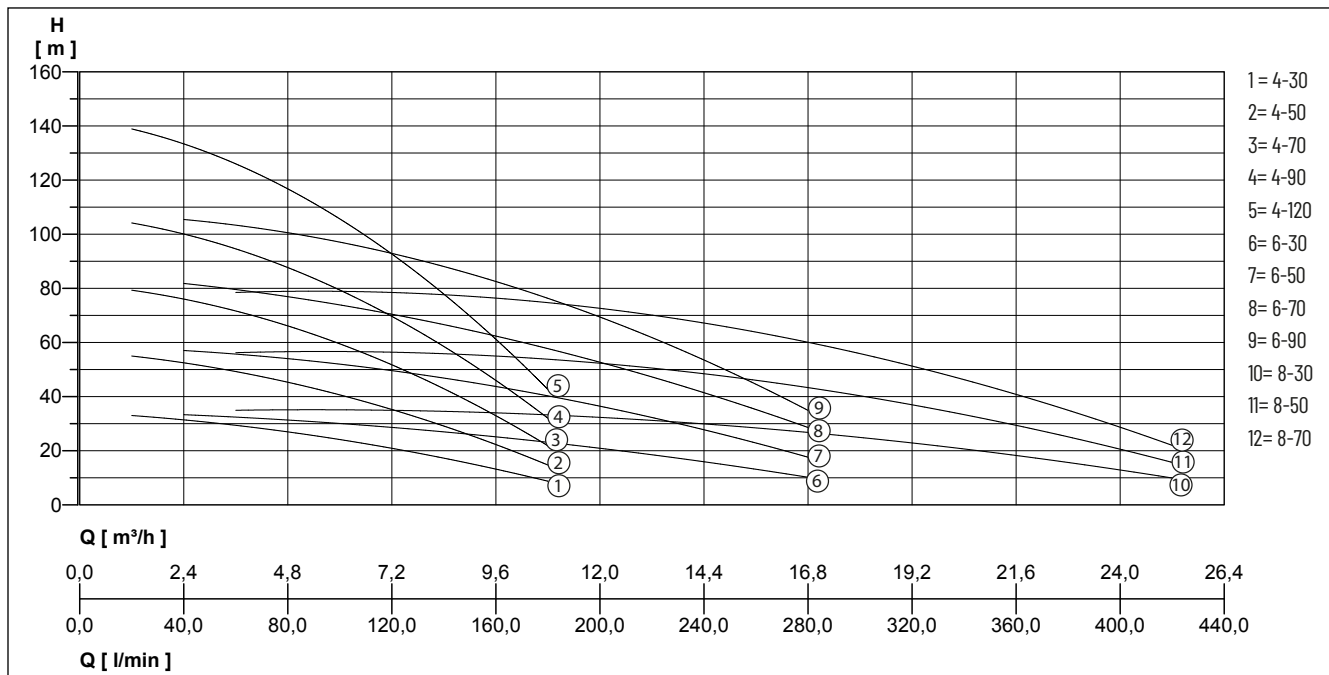
### ELECTRICAL DATA

Voltage	1/N/PE~230 V	Ambient temperature max.	50 °C
---------	--------------	--------------------------	-------

# VARIO 1-20 MULTINOX VE +

BOOSTER SETS - VARIABLE SPEED

## PERFORMANCE



We reserve the right to change specifications without notice. Pump performance is subject to ISO 9906 ISO 9906:2012 - Grade 3B tolerances.

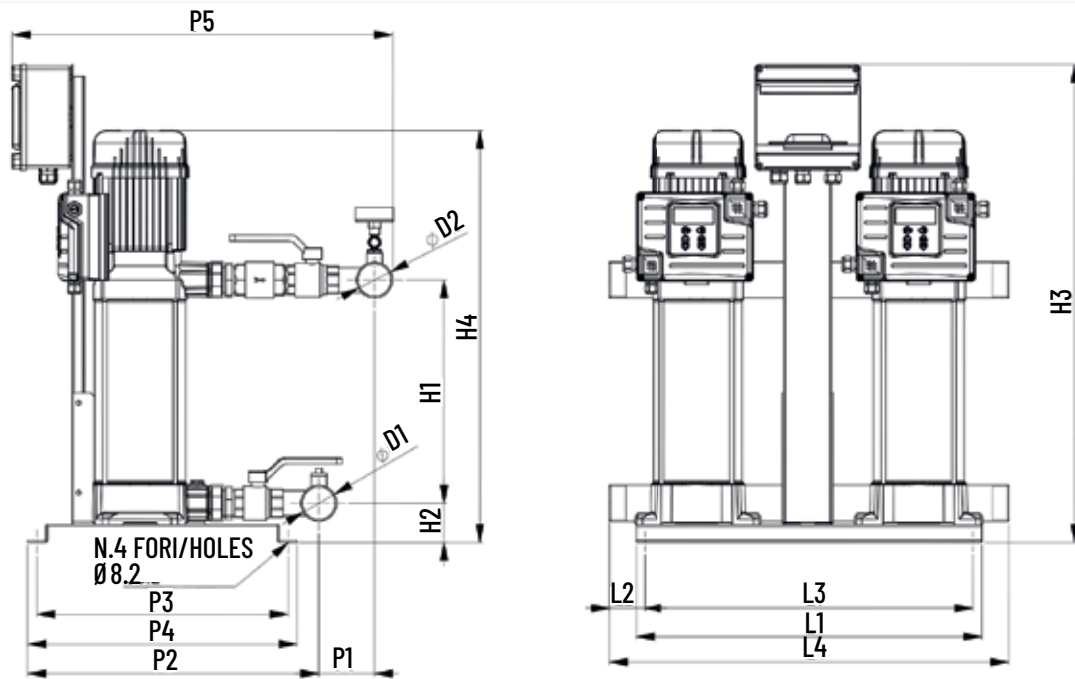
Type	Flow rate Q [m <sup>3</sup> /h]	1.2	2.4	3.6	4.8	6	7.2	8.4	9.6	10.8	12	14.4	16.8	18	21.6	25.2
VARIO1-20 MULTINOX VE+ 4-30	Delivery head H [m]	33	31	30	27	24	21	17	13	9						
VARIO1-20 MULTINOX VE+ 4-50		55	52	50	45	41	35	29	22	15						
VARIO1-20 MULTINOX VE+ 4-70		79	76	72	67	59	51	43	33	22						
VARIO1-20 MULTINOX VE+ 4-90		104	100	95	88	79	69	59	46	32						
VARIO1-20 MULTINOX VE+ 4-120		138	134	127	117	105	92	78	61	43						
VARIO1-20 MULTINOX VE+ 6-30			34	32	31	30	28	27	26	23	21	16	10			
VARIO1-20 MULTINOX VE+ 6-50			58	56	53	51	49	47	44	41	37	28	17			
VARIO1-20 MULTINOX VE+ 6-70			83	80	77	76	61	68	64	59	55	42	27			
VARIO1-20 MULTINOX VE+ 6-90			107	103	99	97	92	88	83	76	71	54	34			
VARIO1-20 MULTINOX VE+ 8-30				35	35	35	35	35	34	33	32	30	27	25	18	10
VARIO1-20 MULTINOX VE+ 8-50				57	57	56	56	56	54	53	52	50	45	40	28	16
VARIO1-20 MULTINOX VE+ 8-70				80	79	78	78	77	75	74	73	70	60	56	40	22

## VARIO 1-20 MULTINOX VE +

Type	Code No.	Motor rating 2xP2	Current 2xI	Type of enclosure	Temperature of the liquid max.	Weight
VARIO1-20 MULTINOX VE+ 4-30	<b>UI601680</b>	0.7 kW	5.0 A	IP 44	50 °C	71 kg
VARIO1-20 MULTINOX VE+ 4-50	<b>UI601690</b>	1.3 kW	7.5 A	IP 44	50 °C	79 kg
VARIO1-20 MULTINOX VE+ 4-70	<b>UI601700</b>	1.3 kW	10.3 A	IP 44	50 °C	87 kg
VARIO1-20 MULTINOX VE+ 4-90	<b>UI601710</b>	1.5 kW	11.0 A	IP 44	50 °C	89 kg
VARIO1-20 MULTINOX VE+ 4-120	<b>UI601720</b>	1.5 kW	17.8 A	IP 44	50 °C	93 kg
VARIO1-20 MULTINOX VE+ 6-30	<b>UI601640</b>	0.7 kW	8.0 A	IP 44	50 °C	71 kg
VARIO1-20 MULTINOX VE+ 6-50	<b>UI601650</b>	1.3 kW	11.6 A	IP 44	50 °C	79 kg
VARIO1-20 MULTINOX VE+ 6-70	<b>UI601660</b>	1.5 kW	15.2 A	IP 44	50 °C	87 kg
VARIO1-20 MULTINOX VE+ 6-90	<b>UI601670</b>	1.5 kW	16.0 A	IP 44	50 °C	89 kg
VARIO1-20 MULTINOX VE+ 8-30	<b>UI601610</b>	1.3 kW	8.0 A	IP 44	50 °C	71 kg
VARIO1-20 MULTINOX VE+ 8-50	<b>UI601620</b>	1.5 kW	12.5 A	IP 44	50 °C	79 kg
VARIO1-20 MULTINOX VE+ 8-70	<b>UI601630</b>	1.5 kW	16.0 A	IP 44	50 °C	87 kg

# VARIO 1-20 MULTINOX VE +

## BOOSTER SETS - VARIABLE SPEED



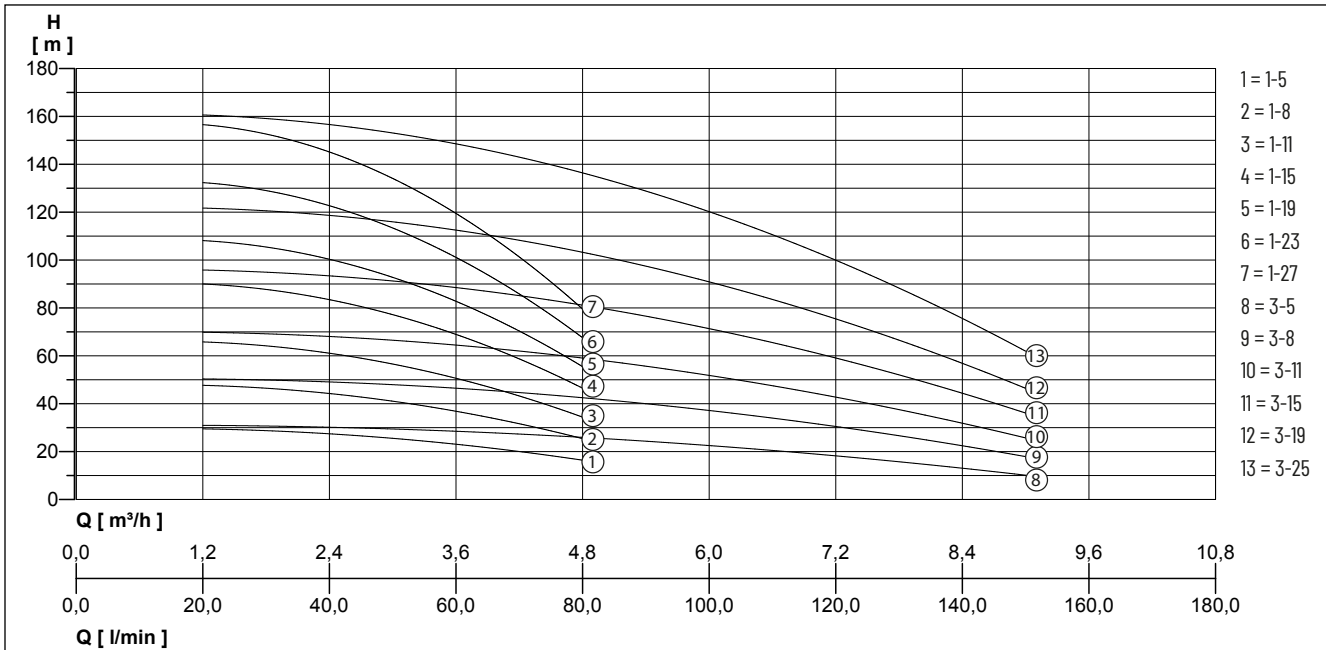
### DIMENSIONS [ mm ]

Type	L1	L2	L3	L4	P1	P2	P3	P4	P5	H1	H2	H3	H4	D1	D2
VARIO1-20 MULTINOX VE+ 4-30	580	70	530	670	90	485	420	450	635	130	65	800	446	2"	2"
VARIO1-20 MULTINOX VE+ 4-50	580	70	530	670	90	485	420	450	635	184	65	800	500	2"	2"
VARIO1-20 MULTINOX VE+ 4-70	580	70	530	670	90	485	420	450	635	238	65	800	554	2"	2"
VARIO1-20 MULTINOX VE+ 4-90	580	70	530	670	90	485	420	450	635	292	65	800	608	2"	2"
VARIO1-20 MULTINOX VE+ 4-120	580	70	530	670	90	485	420	450	635	373	65	800	690	2"	2"
VARIO1-20 MULTINOX VE+ 6-30	580	70	530	670	90	485	420	450	635	130	65	800	446	2"	2"
VARIO1-20 MULTINOX VE+ 6-50	580	70	530	670	90	485	420	450	635	184	65	800	500	2"	2"
VARIO1-20 MULTINOX VE+ 6-70	580	70	530	670	90	485	420	450	635	238	65	800	554	2"	2"
VARIO1-20 MULTINOX VE+ 6-90	580	70	530	670	90	485	420	450	635	292	65	800	608	2"	2"
VARIO1-20 MULTINOX VE+ 8-30	580	70	530	670	90	485	420	450	635	130	65	800	446	2"	2"
VARIO1-20 MULTINOX VE+ 8-50	580	70	530	670	90	485	420	450	635	184	65	800	500	2"	2"
VARIO1-20 MULTINOX VE+ 8-70	580	70	530	670	90	485	420	450	635	238	65	800	554	2"	2"

# VARIO 1-20 PVM 1-3

## BOOSTER SETS - VARIABLE SPEED

### PERFORMANCE



We reserve the right to change specifications without notice. Pump performance is subject to ISO 9906 ISO 9906:2012 - Grade 3B tolerances.

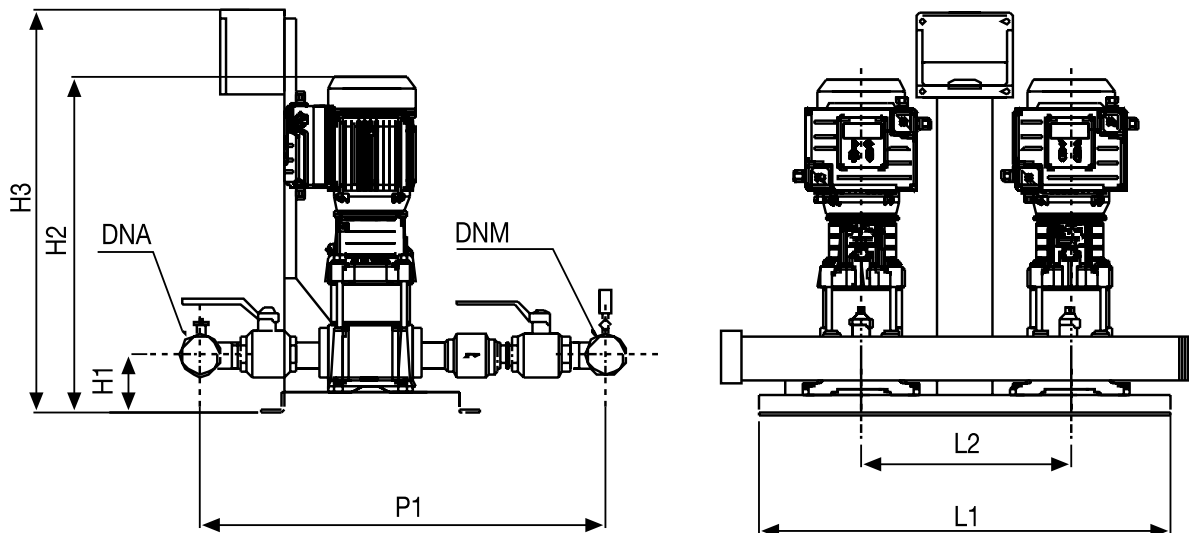
Type	Flow rate Q [m³/h]	0	1.2	2.4	3.6	4.8	6	7.2	8.4	9
VARIO1-20 PVM 1-5 F	Delivery head H [m]	30.4	29.4	27.7	22.8	16.5				
VARIO1-20 PVM 1-8 F		48.8	47.6	44.5	36.6	25.5				
VARIO1-20 PVM 1-11 F		67.2	65.7	61.4	50.3	34.5				
VARIO1-20 PVM 1-15 F		91.6	89.9	83.8	68.6	46.6				
VARIO1-20 PVM 1-19 F		110.0	108.0	100.7	82.4	55.6				
VARIO1-20 PVM 1-23 F		134.5	132.2	123.1	100.7	67.7				
VARIO1-20 PVM 1-27 F		159.0	156.4	145.6	119.0	79.7				
VARIO1-20 PVM 3-5 F		31.9	31.1	30.0	28.3	26.2	22.6	18.0	13.3	10.0
VARIO1-20 PVM 3-8 F		51.9	50.5	48.9	46.2	42.9	37.3	30.1	22.7	17.8
VARIO1-20 PVM 3-11 F		71.8	70.0	67.9	64.1	59.6	52.1	42.1	32.1	25.7
VARIO1-20 PVM 3-15 F		98.4	96.0	93.2	88.0	81.9	71.7	58.2	44.7	36.1
VARIO1-20 PVM 3-19 F		125.0	121.9	118.4	111.9	104.2	91.3	74.3	57.2	46.5
VARIO1-20 PVM 3-25 F		164.9	160.8	156.3	147.8	137.6	120.8	98.4	76.0	62.1

### VARIO 1-20 PVM 1-3

Type	Code No.	Motor rating 2xP2	Current 2xl	Type of enclosure	Temperature of the liquid max.	Weight
VARIO1-20 PVM 1-5 F	UI601400	0.37 kW	3.4 A	IP 55	120 °C	60 kg
VARIO1-20 PVM 1-8 F	UI601410	0.55 kW	4.1 A	IP 55	120 °C	62 kg
VARIO1-20 PVM 1-11 F	UI601420	0.55 kW	4.8 A	IP 55	120 °C	67 kg
VARIO1-20 PVM 1-15 F	UI601430	0.75 kW	5.8 A	IP 55	120 °C	73 kg
VARIO1-20 PVM 1-19 F	UI601440	1.10 kW	7.4 A	IP 55	120 °C	80 kg
VARIO1-20 PVM 1-23 F	UI601450	1.10 kW	8.3 A	IP 55	120 °C	90 kg
VARIO1-20 PVM 1-27 F	UI601460	1.50 kW	9.9 A	IP 55	120 °C	94 kg
VARIO1-20 PVM 3-5 F	UI601470	0.37 kW	3.0 A	IP 55	120 °C	62 kg
VARIO1-20 PVM 3-8 F	UI601480	0.75 kW	4.8 A	IP 55	120 °C	65 kg
VARIO1-20 PVM 3-11 F	UI601490	1.10 kW	6.6 A	IP 55	120 °C	73 kg
VARIO1-20 PVM 3-15 F	UI601500	1.10 kW	9.0 A	IP 55	120 °C	75 kg
VARIO1-20 PVM 3-19 F	UI601510	1.50 kW	11.0 A	IP 55	120 °C	80 kg
VARIO1-20 PVM 3-25 F	UI601520	2.20 kW	15.0 A	IP 55	120 °C	90 kg

# VARIO 1-20 PVM 1-3

## BOOSTER SETS - VARIABLE SPEED



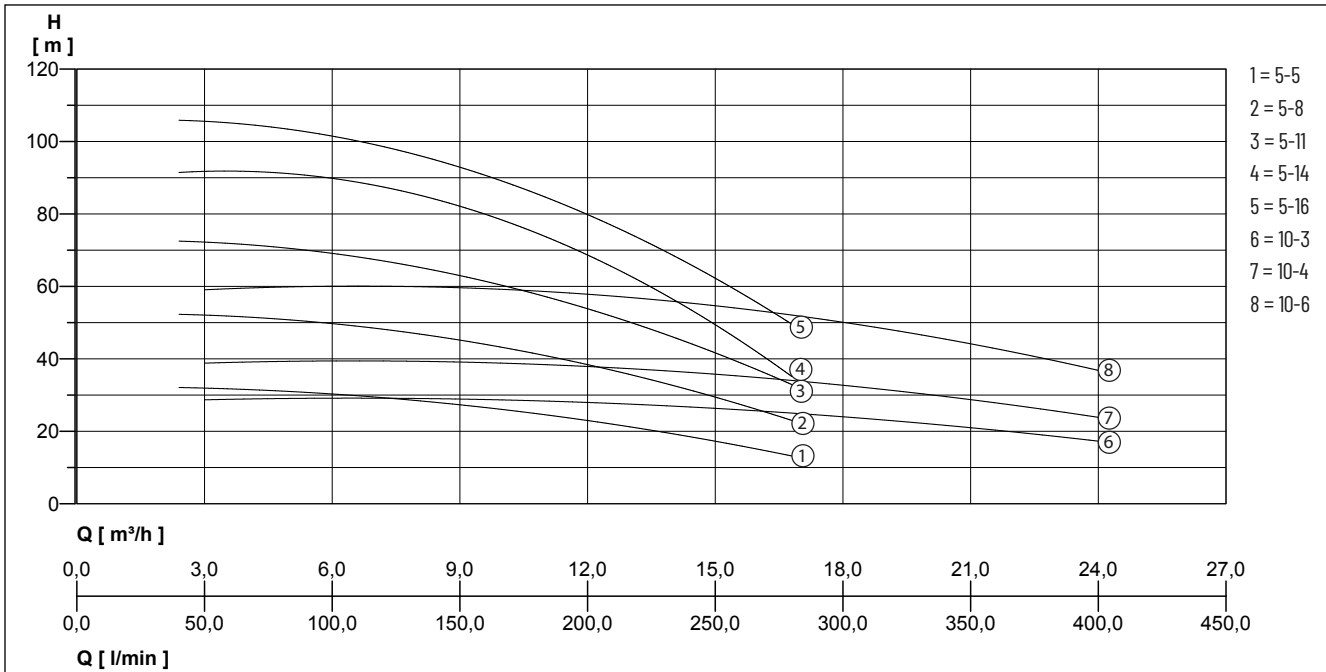
### DIMENSIONS [mm]

Type	L1	L2	P1	H1	H2	H3	DNA	DNM
VARIO1-20 PVM 1-5 F	600	370	620	105	580	800	2"	2"
VARIO1-20 PVM 1-8 F	600	370	620	105	594	800	2"	2"
VARIO1-20 PVM 1-11 F	600	370	620	105	648	800	2"	2"
VARIO1-20 PVM 1-15 F	600	370	620	105	766	800	2"	2"
VARIO1-20 PVM 1-19 F	600	370	620	105	838	800	2"	2"
VARIO1-20 PVM 1-23 F	600	370	620	105	910	800	2"	2"
VARIO1-20 PVM 1-27 F	600	370	620	105	1030	800	2"	2"
VARIO1-20 PVM 3-5 F	600	370	620	105	540	800	2"	2"
VARIO1-20 PVM 3-8 F	600	370	620	105	640	800	2"	2"
VARIO1-20 PVM 3-11 F	600	370	620	105	694	800	2"	2"
VARIO1-20 PVM 3-15 F	600	370	620	105	766	800	2"	2"
VARIO1-20 PVM 3-19 F	600	370	620	105	886	800	2"	2"
VARIO1-20 PVM 3-25 F	600	370	620	105	994	800	2"	2"

# VARIO 1-20 PVM 5-10

## BOOSTER SETS - VARIABLE SPEED

### PERFORMANCE



We reserve the right to change specifications without notice. Pump performance is subject to ISO 9906 ISO 9906:2012 - Grade 3B tolerances.

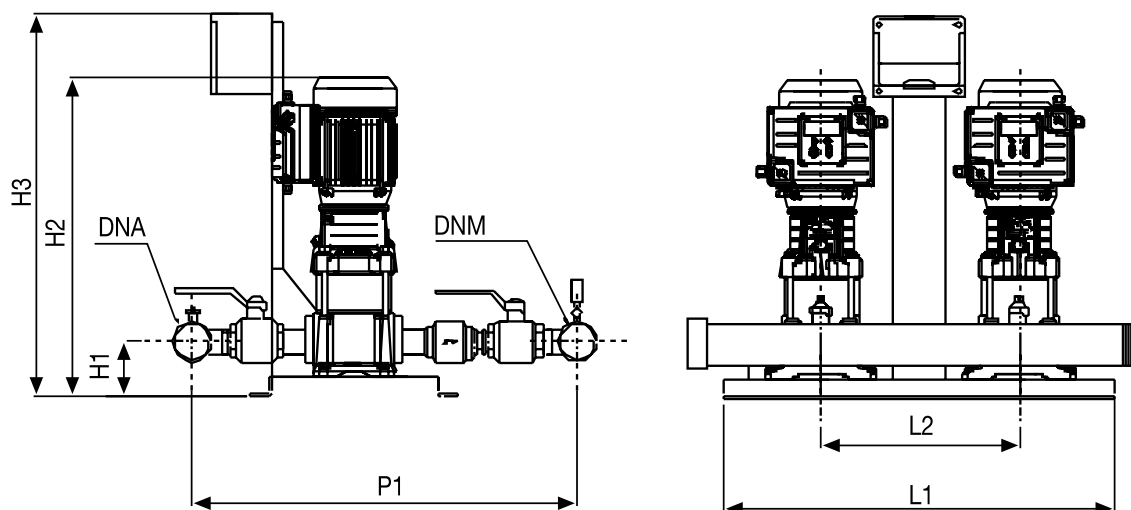
Type	Flow rate Q [m³/h]	0	3	4.8	6	7.2	9	9.6	12	14.4	15	16.8	18	21	24
VARIO1-20 PVM 5-5 F	Delivery head H [m]	32.3		31.1		29.4		26.8	22.9	18.0		13.5			
VARIO1-20 PVM 5-8 F		52.9		51.1		48.5		44.3	38.2	30.5		23.6			
VARIO1-20 PVM 5-11 F		73.5		71.1		67.5		61.8	53.5	43.0		33.8			
VARIO1-20 PVM 5-14 F		94.1		91.1		86.6		79.4	68.9	55.8		43.9			
VARIO1-20 PVM 5-16 F		107.8		104.5		99.3		91.0	79.1	64.7		50.7			
VARIO1-20 PVM 10-3 F		28.6	28.9		29.0		28.7		27.8		26.4		24.4	21.0	17.1
VARIO1-20 PVM 10-4 F		38.8	39.1		39.2		38.9		37.7		35.8		33.2	28.8	23.6
VARIO1-20 PVM 10-6 F		59.2	59.4		59.8		59.4		57.5		54.7		50.8	44.2	36.5

### VARIO 1-20 PVM 5-10

Type	Code No.	Motor rating 2xP2	Current 2xl	Type of enclosure	Temperature of the liquid max.	Weight
VARIO1-20 PVM 5-5 F	<b>UI601530</b>	0.75 kW	5.4 A	IP 55	120 °C	76 kg
VARIO1-20 PVM 5-8 F	<b>UI601540</b>	1.10 kW	8.7 A	IP 55	120 °C	80 kg
VARIO1-20 PVM 5-11 F	<b>UI601550</b>	2.20 kW	12.0 A	IP 55	120 °C	92 kg
VARIO1-20 PVM 5-14 F	<b>UI601560</b>	2.20 kW	15.2 A	IP 55	120 °C	98 kg
VARIO1-20 PVM 5-16 F	<b>UI601570</b>	2.20 kW	17.4 A	IP 55	120 °C	100 kg
VARIO1-20 PVM 10-3 F	<b>UI601580</b>	1.10 kW	2.4 A	IP 55	120 °C	100 kg
VARIO1-20 PVM 10-4 F	<b>UI601590</b>	1.50 kW	3.2 A	IP 55	120 °C	110 kg
VARIO1-20 PVM 10-6 F	<b>UI601600</b>	2.20 kW	4.8 A	IP 55	120 °C	120 kg

# VARIO 1-20 PVM 5-10

BOOSTER SETS - VARIABLE SPEED



## DIMENSIONS [mm]

Type	L1	L2	P1	H1	H2	H3	DNA	DNM
VARIO1-20 PVM 5-5 F	600	370	660	105	631	810	2"	2"
VARIO1-20 PVM 5-8 F	600	370	660	105	712	810	2"	2"
VARIO1-20 PVM 5-11 F	600	370	660	105	841	810	2"	2"
VARIO1-20 PVM 5-14 F	600	370	660	105	922	810	2"	2"
VARIO1-20 PVM 5-16 F	600	370	660	105	976	810	2"	2"
VARIO1-20 PVM 10-3 F	620	370	700	100	612	820	2 1/2"	2 1/2"
VARIO1-20 PVM 10-4 F	620	370	700	100	714	820	2 1/2"	2 1/2"
VARIO1-20 PVM 10-6 F	620	370	700	100	714	820	2 1/2"	2 1/2"

# VARIO 1-20

BOOSTER SETS - VARIABLE SPEED