

VARIO 3-20

BOOSTER SETS - VARIABLE SPEED

- Easy to install
- Low power consumption
- Versatile operation



DESCRIPTION

The new series of variable speed pressurization booster set VARIO3-20 represents a reliable solution which is easy to use, for residential and industrial applications. The systems involves the installation of two pumps in parallel featuring electronic control. VARIO3 is an electronic device capable of changing the frequency of a pump. Integrated directly on the motor, it allows to adjust its speed so as to supply the same pressure at all times, even when the water demand changes.

When the system pressure drops below the set threshold, the module starts the first pump of the unit to restore to set-point pressure; the speed of rotation of the pump varies according to the water demand so, a greater demand will correspond to a higher speed, until the maximum speed set has been reached, after which, if the system requires greater performance, the module will activate the second pump to keep the pressure stable. As the water demand decreases, the speed of the last pump started is reduced, until it turns off. The module will keep the first pump on until the minimum set speed has been reached, after which, if there are no further pressure drops, the pump will be stopped. VARIO3-20 features five operating modes to meet the operating needs.

MECHANICAL DATA

Operating pressure max.	16 bar	Type of liquid	clean water without suspended solids or abrasive material
-------------------------	--------	----------------	---

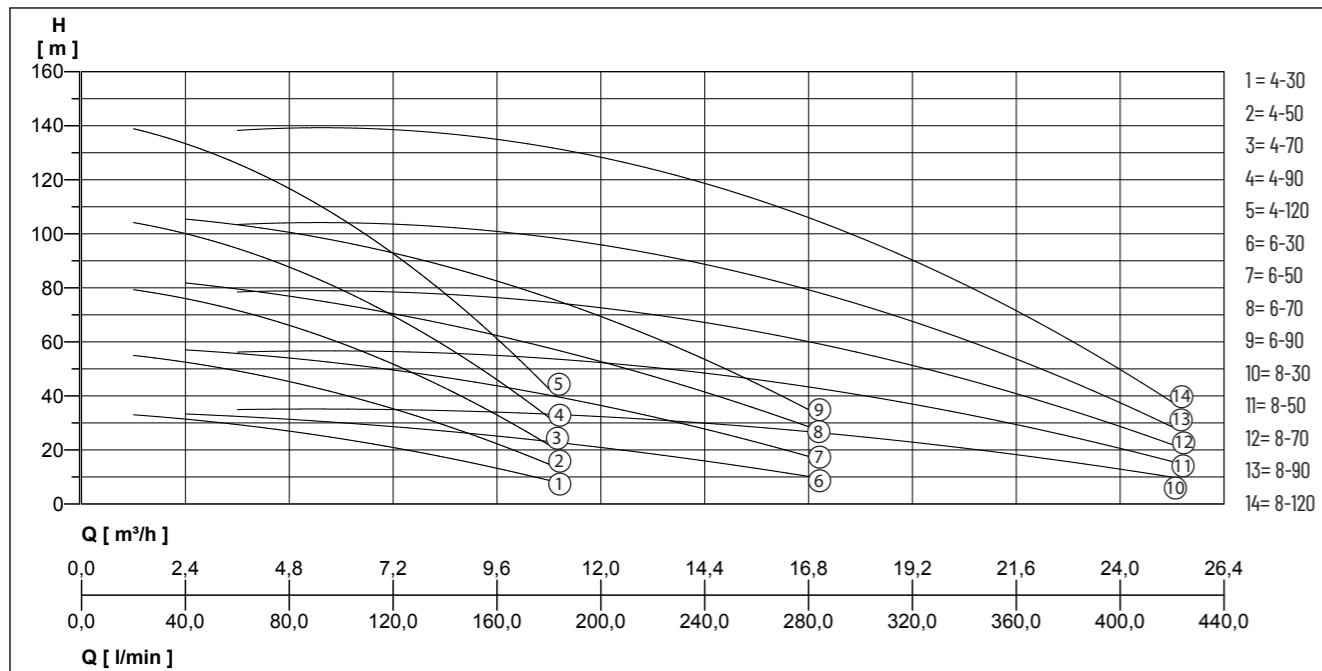
ELECTRICAL DATA

Voltage	3/N/PE~400 V	Ambient temperature max.	50 °C
Type of enclosure	IP 55		

VARIO 3-20 MULTINOX VE +

BOOSTER SETS - VARIABLE SPEED

PERFORMANCE



We reserve the right to change specifications without notice. Pump performance is subject to ISO 9906 ISO 9906:2012 - Grade 3B tolerances.

Type	Flow rate Q [m³/h]	1.2	2.4	3.6	4.8	6	7.2	8.4	9.6	10.8	12	14.4	16.8	18	21.6	25.2
VARIO3-20 MULTINOX VE+ 4-30	Delivery head H [m]	33	31	30	27	24	21	17	13	9						
VARIO3-20 MULTINOX VE+ 4-50		55	52	50	45	41	35	29	22	15						
VARIO3-20 MULTINOX VE+ 4-70		79	76	72	67	59	51	43	33	22						
VARIO3-20 MULTINOX VE+ 4-90		104	100	95	88	79	69	59	46	32						
VARIO3-20 MULTINOX VE+ 4-120		138	134	127	117	105	92	78	61	43						
VARIO3-20 MULTINOX VE+ 6-30		34	32	31	30	28	27	26	23	21	16	10				
VARIO3-20 MULTINOX VE+ 6-50		58	56	53	51	49	47	44	41	37	28	17				
VARIO3-20 MULTINOX VE+ 6-70		83	80	77	76	61	68	64	59	55	42	27				
VARIO3-20 MULTINOX VE+ 6-90		107	103	99	97	92	88	83	76	71	54	34				
VARIO3-20 MULTINOX VE+ 8-30			35	35	35	35	35	34	33	32	30	27	25	18	10	
VARIO3-20 MULTINOX VE+ 8-50			57	57	56	56	56	54	53	52	50	45	40	28	16	
VARIO3-20 MULTINOX VE+ 8-70			80	79	78	78	77	75	74	73	70	60	56	40	22	
VARIO3-20 MULTINOX VE+ 8-90			104	104	104	103	103	101	98	94	90	82	73	52	29	
VARIO3-20 MULTINOX VE+ 8-120			139	139	139	138	138	135	131	126	120	109	98	70	38	

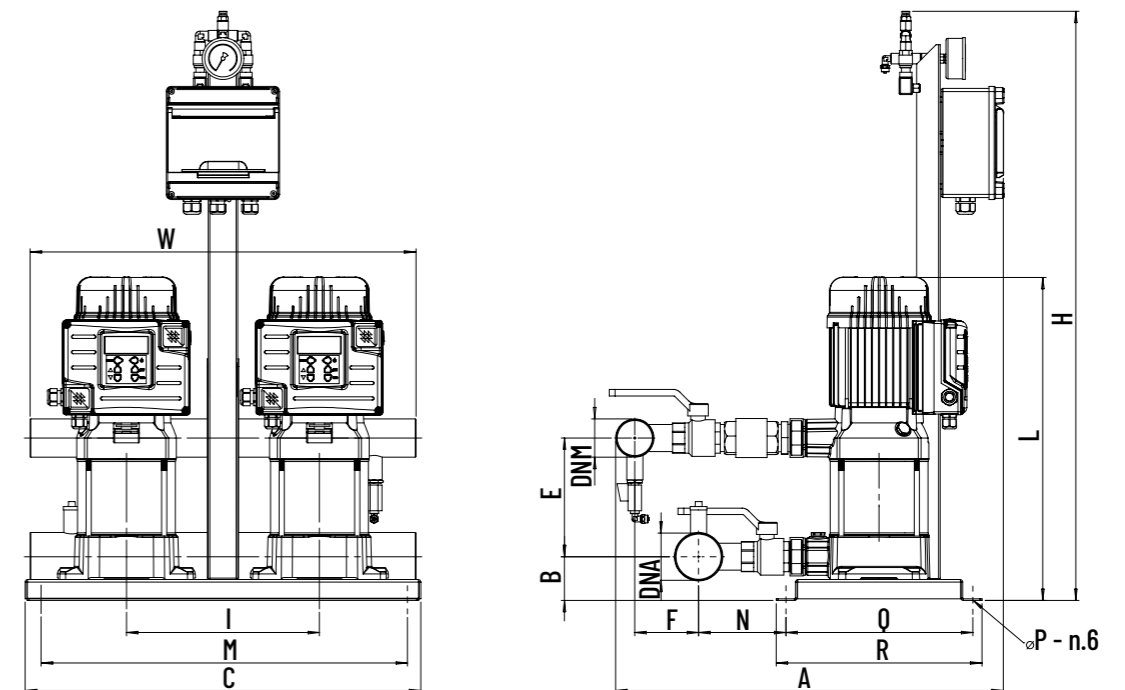
VARIO 3-20 MULTINOX VE +

BOOSTER SETS - VARIABLE SPEED

VARIO 3-20 MULTINOX VE +

Type	Code No.	Motor rating 2xP2	Current 2xl	Temperature of the liquid max.	Weight
VARIO3-20 MULTINOX VE+ 4-30	UI710280	0.7 kW	1.7 A	50 °C	69 kg
VARIO3-20 MULTINOX VE+ 4-50	UI710290	1.3 kW	3.0 A	50 °C	77 kg
VARIO3-20 MULTINOX VE+ 4-70	UI710300	1.3 kW	3.2 A	50 °C	85 kg
VARIO3-20 MULTINOX VE+ 4-90	UI710310	1.5 kW	4.0 A	50 °C	87 kg
VARIO3-20 MULTINOX VE+ 4-120	UI710320	1.5 kW	5.2 A	50 °C	91 kg
VARIO3-20 MULTINOX VE+ 6-30	UI710240	0.7 kW	2.3 A	50 °C	69 kg
VARIO3-20 MULTINOX VE+ 6-50	UI710250	1.3 kW	3.2 A	50 °C	77 kg
VARIO3-20 MULTINOX VE+ 6-70	UI710260	1.5 kW	3.6 A	50 °C	85 kg
VARIO3-20 MULTINOX VE+ 6-90	UI710270	1.5 kW	7.6 A	50 °C	87 kg
VARIO3-20 MULTINOX VE+ 8-30	UI710210	1.3 kW	2.1 A	50 °C	69 kg
VARIO3-20 MULTINOX VE+ 8-50	UI710220	1.5 kW	3.6 A	50 °C	77 kg
VARIO3-20 MULTINOX VE+ 8-70	UI710230	1.5 kW	5.0 A	50 °C	85 kg
VARIO3-20 MULTINOX VE+ 8-90	UI700180	3.0 kW	9.7 A	50 °C	110 kg
VARIO3-20 MULTINOX VE+ 8-120	UI700190	4.0 kW	12.3 A	50 °C	116 kg

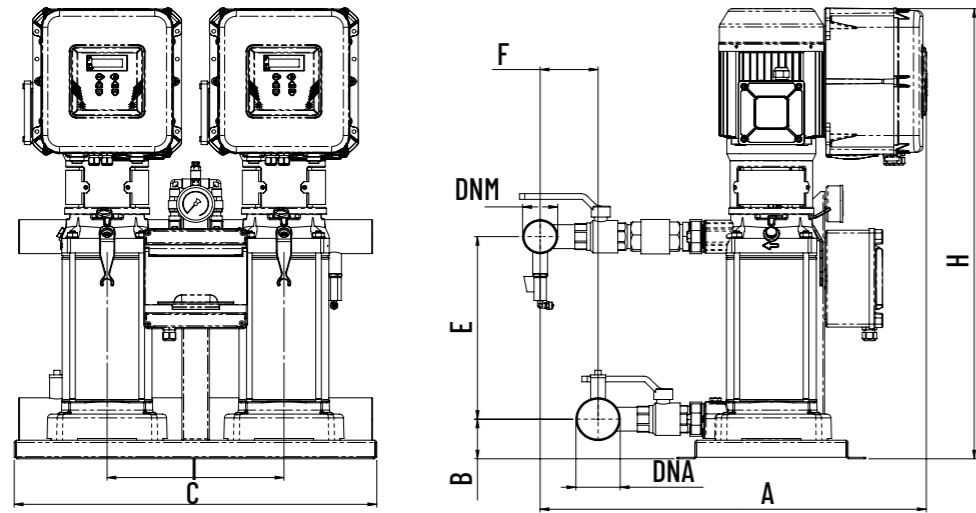
Fig. 1



VARIO 3-20 MULTINOX VE +

BOOSTER SETS - VARIABLE SPEED

Fig. 2



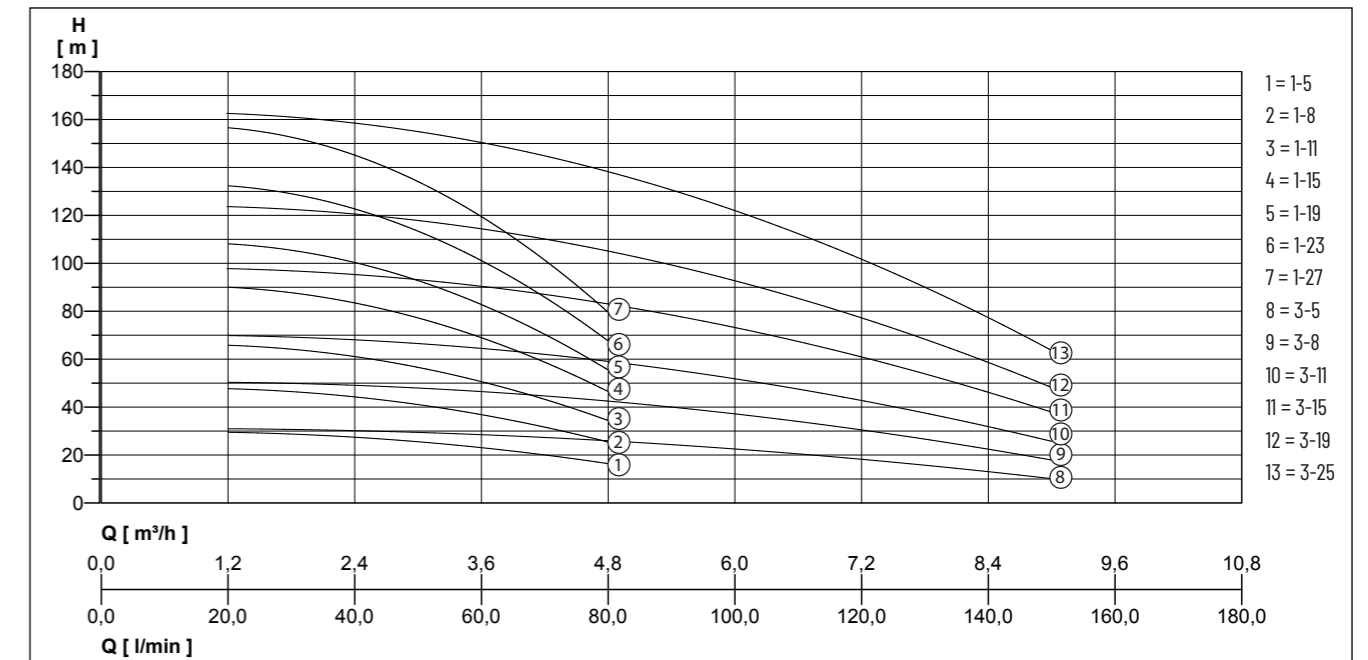
DIMENSIONS [mm]

Type	Fig.	A	B	C	F	H	I	L	M	N	P	Q	R	W	DNA	DNM	E
VARIO3-20 MULTINOX VE+ 4-30	1	615	68	608,5	96	910	300	449	578,5	145	10,5	290	320	600	2 1/2"	2"	130
VARIO3-20 MULTINOX VE+ 4-50	1	615	68	608,5	96	910	300	503	578,5	145	10,5	290	320	600	2 1/2"	2"	184
VARIO3-20 MULTINOX VE+ 4-70	1	615	68	608,5	96	910	300	557	578,5	145	10,5	290	320	600	2 1/2"	2"	238
VARIO3-20 MULTINOX VE+ 4-90	1	615	68	608,5	96	910	300	611	578,5	145	10,5	290	320	600	2 1/2"	2"	292
VARIO3-20 MULTINOX VE+ 4-120	1	615	68	608,5	96	910	300	693	578,5	145	10,5	290	320	600	2 1/2"	2"	373
VARIO3-20 MULTINOX VE+ 6-30	1	615	68	608,5	96	910	300	449	578,5	145	10,5	290	320	600	2 1/2"	2"	130
VARIO3-20 MULTINOX VE+ 6-50	1	615	68	608,5	96	910	300	503	578,5	145	10,5	290	320	600	2 1/2"	2"	184
VARIO3-20 MULTINOX VE+ 6-70	1	615	68	608,5	96	910	300	557	578,5	145	10,5	290	320	600	2 1/2"	2"	238
VARIO3-20 MULTINOX VE+ 6-90	1	615	68	608,5	96	910	300	611	578,5	145	10,5	290	320	600	2 1/2"	2"	292
VARIO3-20 MULTINOX VE+ 8-30	1	615	68	608,5	96	910	300	449	578,5	145	10,5	290	320	600	2 1/2"	2"	130
VARIO3-20 MULTINOX VE+ 8-50	1	615	68	608,5	96	910	300	503	578,5	145	10,5	290	320	600	2 1/2"	2"	184
VARIO3-20 MULTINOX VE+ 8-70	1	615	68	608,5	96	910	300	557	578,5	145	10,5	290	320	600	2 1/2"	2"	238
VARIO3-20 MULTINOX VE+ 8-90	2	691	68	608,5	96	765	300	765	578,5	145	10,5	290	320	600	2 1/2"	2"	292
VARIO3-20 MULTINOX VE+ 8-120	2	691	68	608,5	96	890	300	890	578,5	145	10,5	290	320	600	2 1/2"	2"	373

VARIO 3-20 PVM 1-3

BOOSTER SETS - VARIABLE SPEED

PERFORMANCE



We reserve the right to change specifications without notice. Pump performance is subject to ISO 9906 ISO 9906:2012 - Grade 3B tolerances.

Type	Flow rate Q [m³/h]	0	1.2	2.4	3.6	4.8	6	7.2	8.4	9
VARIO3-20 PVM 1-5 F	Delivery head H [m]	30.4	29.4	27.7	22.8	16.5				
VARIO3-20 PVM 1-8 F		48.8	47.6	44.5	36.6	25.5				
VARIO3-20 PVM 1-11 F		67.2	65.7	61.4	50.3	34.5				
VARIO3-20 PVM 1-15 F		91.6	89.9	83.8	68.6	46.6				
VARIO3-20 PVM 1-19 F		110.0	108.0	100.7	82.4	55.6				
VARIO3-20 PVM 1-23 F		134.5	132.2	123.1	100.7	67.7				
VARIO3-20 PVM 1-27 F		159.0	156.4	145.6	119.0	79.7				
VARIO3-20 PVM 3-5 F		31.9	31.1	30.0	28.3	26.2	22.6	18.0	13.3	10.0
VARIO3-20 PVM 3-8 F		51.9	50.5	48.9	46.2	42.9	37.3	30.1	22.7	17.8
VARIO3-20 PVM 3-11 F		71.8	70.0	67.9	64.1	59.6	52.1	42.1	32.1	25.7
VARIO3-20 PVM 3-15 F		98.4	96.0	93.2	88.0	81.9	71.7	58.2	44.7	36.1
VARIO3-20 PVM 3-19 F		125.0	121.9	118.4	111.9	104.2	91.3	74.3	57.2	46.5
VARIO3-20 PVM 3-25 F		164.9	160.8	156.3	147.8	137.6	120.8	98.4	76.0	62.1

VARIO 3-20 PVM 1-3

Type	Code No.	Motor rating 2xP2	Current 2xI	Temperature of the liquid max.	Weight
VARIO3-20 PVM 1-5 F	UI710000	0.37 kW	1.50 A	120 °C	75 kg
VARIO3-20 PVM 1-8 F	UI710010	0.55 kW	2.30 A	120 °C	78 kg
VARIO3-20 PVM 1-11 F	UI710020	0.55 kW	3.20 A	120 °C	80 kg
VARIO3-20 PVM 1-15 F	UI710030	0.75 kW	4.40 A	120 °C	87 kg
VARIO3-20 PVM 1-19 F	UI710040	1.10 kW	5.50 A	120 °C	93 kg
VARIO3-20 PVM 1-23 F	UI710050	1.10 kW	6.70 A	120 °C	96 kg
VARIO3-20 PVM 1-27 F	UI710060	1.50 kW	7.80 A	120 °C	116 kg
VARIO3-20 PVM 3-5 F	UI710070	0.37 kW	0.90 A	120 °C	75 kg
VARIO3-20 PVM 3-8 F	UI710080	0.75 kW	1.45 A	120 °C	82 kg
VARIO3-20 PVM 3-11 F	UI710090	1.10 kW	2.00 A	120 °C	87 kg
VARIO3-20 PVM 3-15 F	UI710100	1.10 kW	2.70 A	120 °C	90 kg
VARIO3-20 PVM 3-19 F	UI710110	1.50 kW	3.40 A	120 °C	110 kg
VARIO3-20 PVM 3-25 F	UI710120	2.20 kW	4.50 A	120 °C	120 kg

VARIO 3-20 PVM 1-3

BOOSTER SETS - VARIABLE SPEED

Fig.1

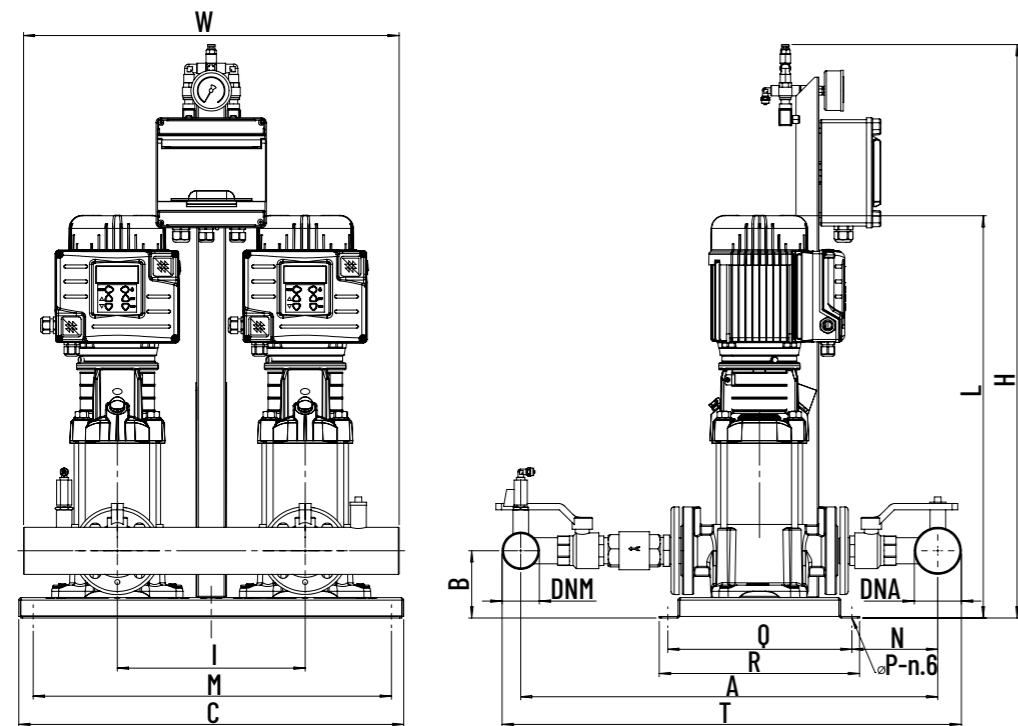
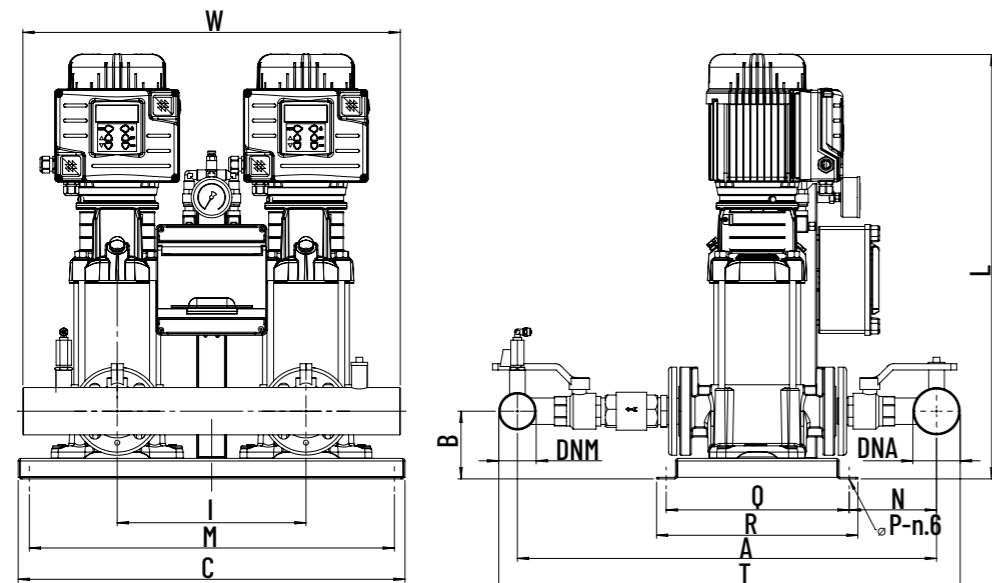


Fig.2



VARIO 3-20 PVM 1-3

BOOSTER SETS - VARIABLE SPEED

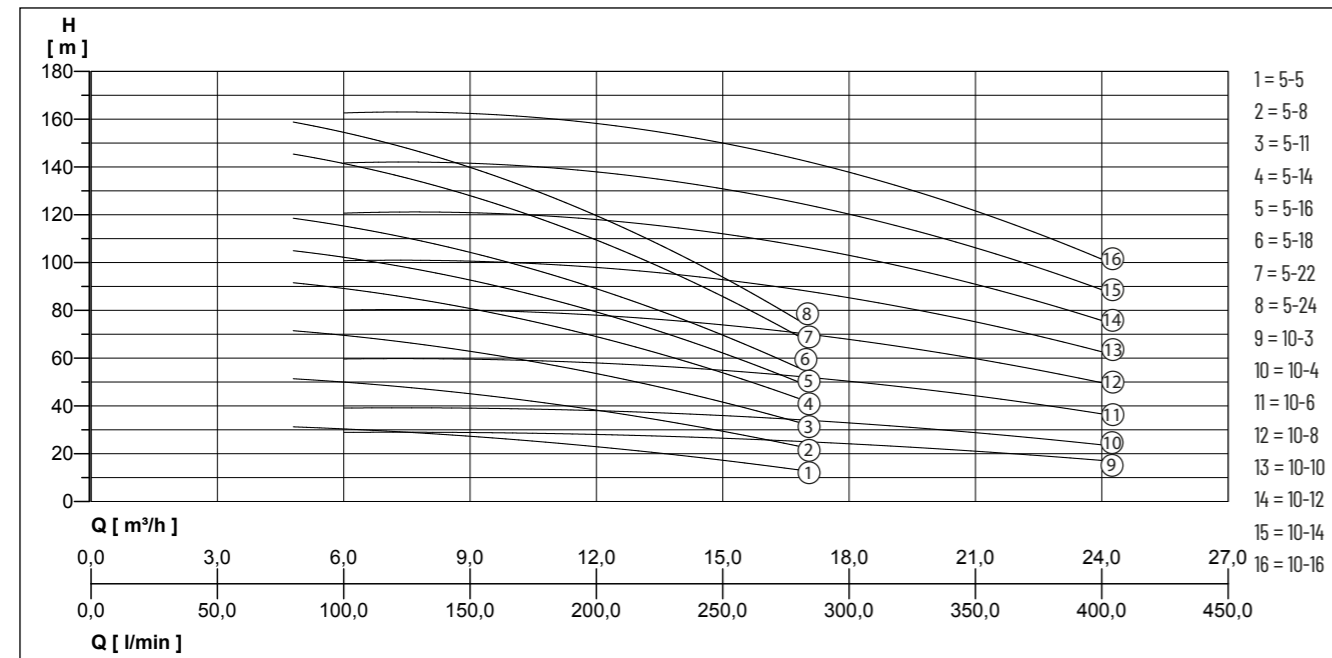
DIMENSIONS [mm]

Type	Fig.	A	B	C	H	I	L	M	N	P	Q	R	T	W	DNA	DNM
VARIO3-20 PVM 1-5 F	1	650	105	600	800	370	540	570	127	8,2	290	320	710	670	2"	2"
VARIO3-20 PVM 1-8 F	1	650	105	600	800	370	594	570	127	8,2	290	320	710	670	2"	2"
VARIO3-20 PVM 1-11 F	2	650	105	600	800	370	648	570	127	8,2	290	320	710	670	2"	2"
VARIO3-20 PVM 1-15 F	2	650	105	600	800	370	766	570	127	8,2	290	320	710	670	2"	2"
VARIO3-20 PVM 1-19 F	2	650	105	600	800	370	838	570	127	8,2	290	320	710	670	2"	2"
VARIO3-20 PVM 1-23 F	2	650	105	600	800	370	910	570	127	8,2	290	320	710	670	2"	2"
VARIO3-20 PVM 1-27 F	2	650	105	600	800	370	1030	570	127	8,2	290	320	710	670	2"	2"
VARIO3-20 PVM 3-5 F	1	650	105	600	800	370	540	570	127	8,2	290	320	710	670	2"	2"
VARIO3-20 PVM 3-8 F	1	650	105	600	800	370	640	570	127	8,2	290	320	710	670	2"	2"
VARIO3-20 PVM 3-11 F	2	650	105	600	800	370	694	570	127	8,2	290	320	710	670	2"	2"
VARIO3-20 PVM 3-15 F	2	650	105	600	800	370	766	570	127	8,2	290	320	710	670	2"	2"
VARIO3-20 PVM 3-19 F	2	650	105	600	800	370	886	570	127	8,2	290	320	710	670	2"	2"
VARIO3-20 PVM 3-25 F	2	650	105	600	800	370	994	570	127	8,2	290	320	710	670	2"	2"

VARIO 3-20 PVM 5-10

BOOSTER SETS - VARIABLE SPEED

PERFORMANCE



We reserve the right to change specifications without notice. Pump performance is subject to ISO 9906 ISO 9906:2012 - Grade 3B tolerances.

Type	Flow rate Q [m³/h]	0	4.8	6	7.2	9.6	12	14.4	16.8	18	24
VARIO3-20 PVM 5-5 F	Delivery head H [m]	32.3	31.1		29.4	26.8	22.9	18.0	13.5		
VARIO3-20 PVM 5-8 F		52.9	51.1		48.5	44.3	38.2	30.5	23.6		
VARIO3-20 PVM 5-11 F		73.5	71.1		67.5	61.8	53.5	43.0	33.8		
VARIO3-20 PVM 5-14 F		94.1	91.1		86.6	79.4	68.9	55.8	43.9		
VARIO3-20 PVM 5-16 F		107.8	104.5		99.3	91.0	79.1	64.7	50.7		
VARIO3-20 PVM 5-18 F		121.5	117.8		112.0	102.7	89.3	71.1	57.4		
VARIO3-20 PVM 5-22 F		149.0	144.5		137.4	126.1	109.7	87.6	70.9		
VARIO3-20 PVM 5-24 F		162.7	157.8		150.1	137.8	119.9	95.9	77.7		
VARIO3-20 PVM 10-3 F		28.6	29.0				27.8			24.4	17.1
VARIO3-20 PVM 10-4 F		38.8	39.2				37.7			33.2	23.6
VARIO3-20 PVM 10-6 F		59.2	59.8				57.5			50.8	36.5
VARIO3-20 PVM 10-8 F		79.6	80.3				77.4			68.4	49.5
VARIO3-20 PVM 10-10 F		99.9	101.0				97.2			86.0	62.4
VARIO3-20 PVM 10-12 F		120.0	121.0				117.0			104.0	75.4
VARIO3-20 PVM 10-14 F		141.0	142.0				137.0			121.2	88.3
VARIO3-20 PVM 10-16 F		161.0	163.0				157.0			139.0	101.0

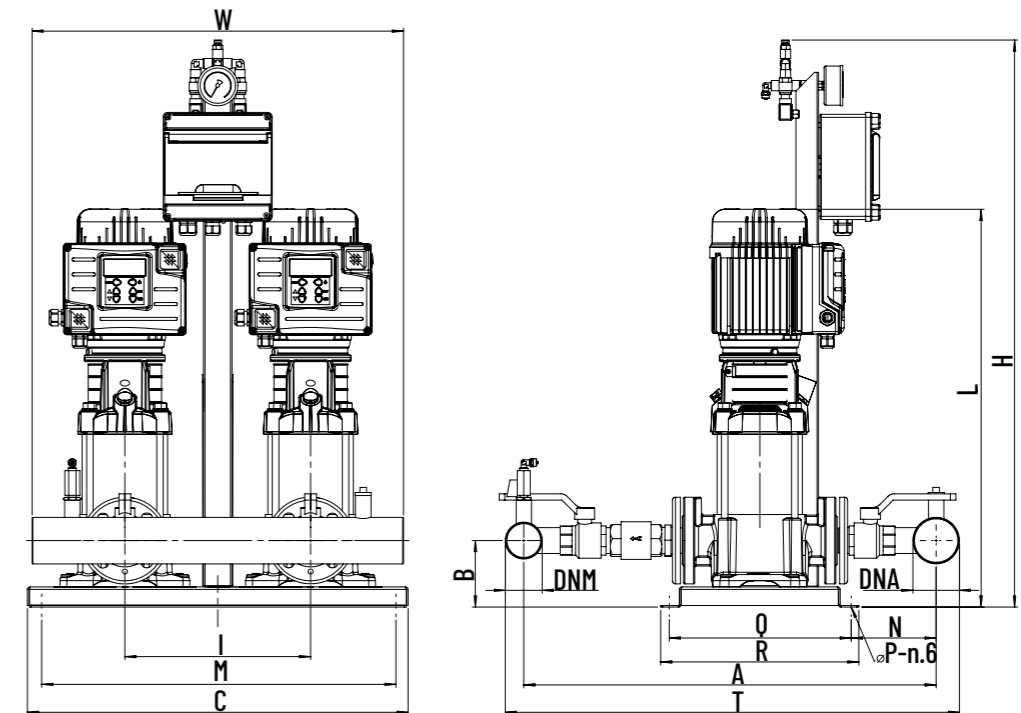
VARIO 3-20 PVM 5-10

BOOSTER SETS - VARIABLE SPEED

VARIO 3-20 PVM 5-10

Type	Code No.	Motor rating 2xP2	Current 2xl	Temperature of the liquid max.	Weight
VARIO3-20 PVM 5-5 F	UI710130	0.75 kW	1.7 A	120 °C	83 kg
VARIO3-20 PVM 5-8 F	UI710140	1.10 kW	2.7 A	120 °C	89 kg
VARIO3-20 PVM 5-11 F	UI710150	2.20 kW	3.7 A	120 °C	115 kg
VARIO3-20 PVM 5-14 F	UI710160	2.20 kW	4.8 A	120 °C	118 kg
VARIO3-20 PVM 5-16 F	UI710170	2.20 kW	5.4 A	120 °C	120 kg
VARIO3-20 PVM 5-18 F	UI700200	3.00 kW	6.1 A	120 °C	142 kg
VARIO3-20 PVM 5-22 F	UI700210	4.00 kW	7.5 A	120 °C	153 kg
VARIO3-20 PVM 5-24 F	UI700220	4.00 kW	8.2 A	120 °C	155 kg
VARIO3-20 PVM 10-3 F	UI710180	1.10 kW	2.4 A	120 °C	109 kg
VARIO3-20 PVM 10-4 F	UI710190	1.50 kW	3.2 A	120 °C	129 kg
VARIO3-20 PVM 10-6 F	UI710200	2.20 kW	4.8 A	120 °C	138 kg
VARIO3-20 PVM 10-8 F	UI700230	3.00 kW	6.4 A	120 °C	135 kg
VARIO3-20 PVM 10-10 F	UI700240	4.00 kW	8.0 A	120 °C	140 kg
VARIO3-20 PVM 10-12 F	UI700250	4.00 kW	9.6 A	120 °C	145 kg
VARIO3-20 PVM 10-14 F	UI700260	5.50 kW	11.0 A	120 °C	150 kg
VARIO3-20 PVM 10-16 F	UI700270	5.50 kW	13.0 A	120 °C	155 kg

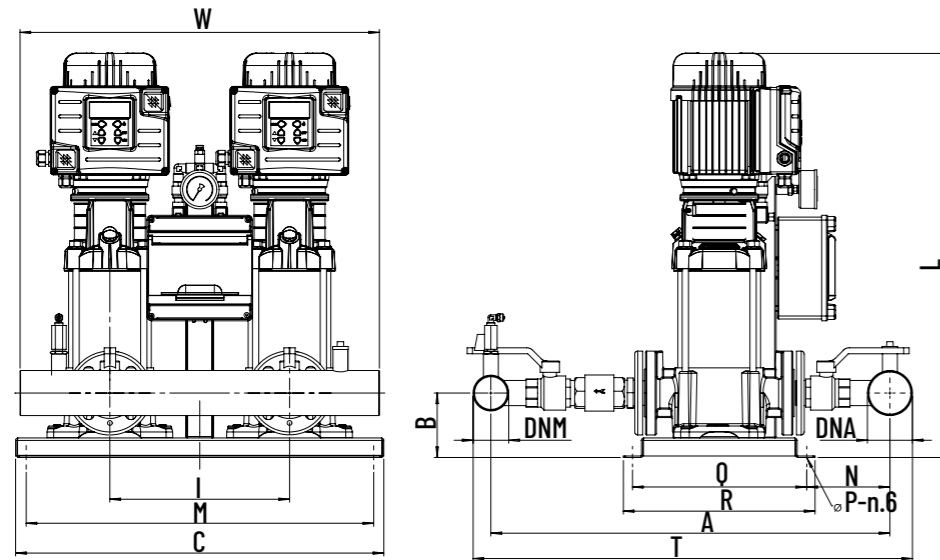
Fig. 1



VARIO 3-20 PVM 5-10

BOOSTER SETS - VARIABLE SPEED

Fig. 2



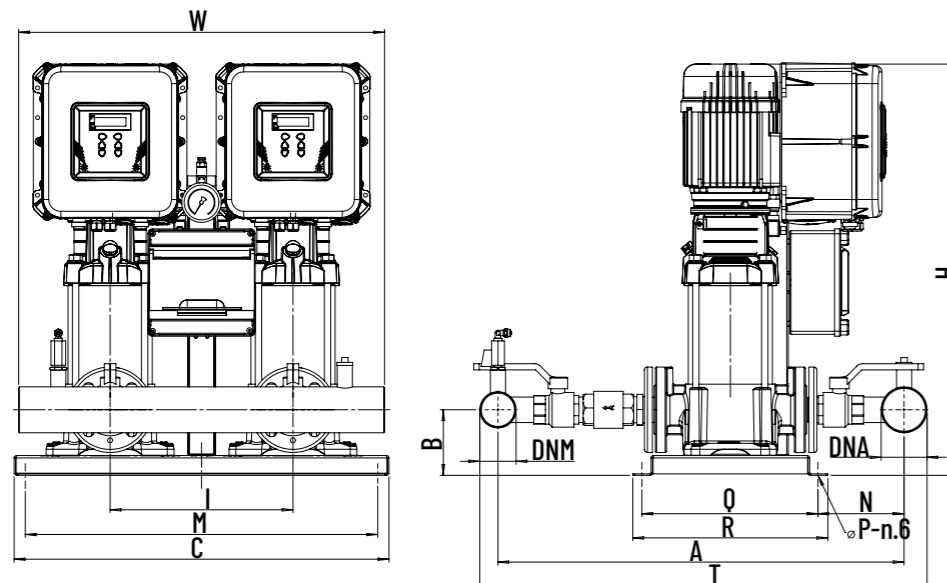
VARIO 3-20 PVM 5-10

BOOSTER SETS - VARIABLE SPEED

DIMENSIONS [mm]

Type	Fig.	A	B	C	H	I	L	M	N	P	Q	R	T	W	DNA	DNM
VARIO3-20 PVM 5-5 F	1	650	105	600	800	370	631	570	127	8,2	290	320	710	670	2"	2"
VARIO3-20 PVM 5-8 F	2	650	105	600	800	370	712	570	127	8,2	290	320	710	670	2"	2"
VARIO3-20 PVM 5-11 F	2	650	105	600	800	370	841	570	127	8,2	290	320	710	670	2"	2"
VARIO3-20 PVM 5-14 F	2	650	105	600	800	370	922	570	127	8,2	290	320	710	670	2"	2"
VARIO3-20 PVM 5-16 F	2	650	105	600	800	370	976	570	127	8,2	290	320	710	670	2"	2"
VARIO3-20 PVM 5-18 F	3	690	108	615	1091	300		578,5	145	10,5	290	320	757	600	2"	2"
VARIO3-20 PVM 5-22 F	3	690	108	615	1206	300		578,5	145	10,5	290	320	757	600	2"	2"
VARIO3-20 PVM 5-24 F	3	690	108	615	1260	300		578,5	145	10,5	290	320	757	600	2"	2"
VARIO3-20 PVM 10-3 F	1	700	110	620	800	370	642	590	150	8,2	290	320	775	670	2 1/2"	2 1/2"
VARIO3-20 PVM 10-4 F	2	700	110	620	800	370	720	590	150	8,2	290	320	775	670	2 1/2"	2 1/2"
VARIO3-20 PVM 10-6 F	2	700	110	620	800	370	780	590	150	8,2	290	320	775	670	2 1/2"	2 1/2"
VARIO3-20 PVM 10-8 F	3	720	113	615	902	360		578,5	158	8,5	290	320	795	660	2 1/2"	2 1/2"
VARIO3-20 PVM 10-10 F	3	720	113	615	969	360		578,5	158	8,5	290	320	795	670	2 1/2"	2 1/2"
VARIO3-20 PVM 10-12 F	3	720	113	615	1029	360		578,5	158	8,5	290	320	795	660	2 1/2"	2 1/2"
VARIO3-20 PVM 10-14 F	3	720	113	615	1158	360		578,5	158	8,5	290	320	795	660	2 1/2"	2 1/2"
VARIO3-20 PVM 10-16 F	3	720	113	615	1218	360		578,5	158	8,5	290	320	795	660	2 1/2"	2 1/2"

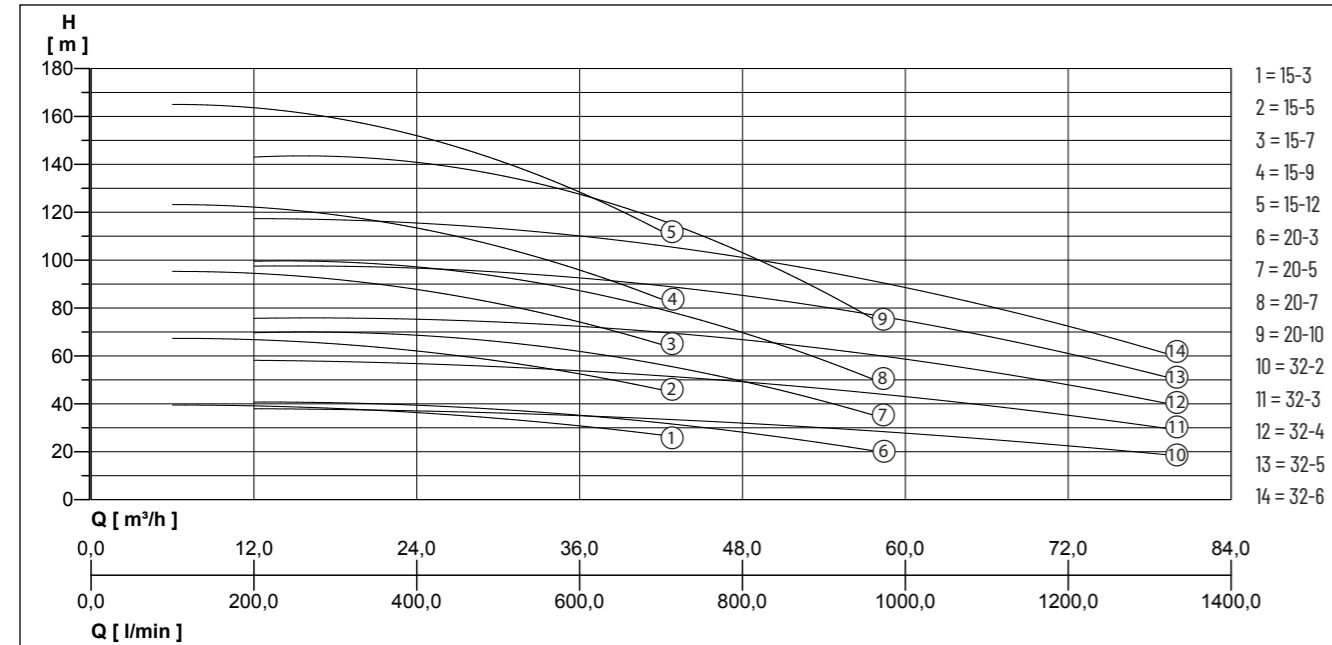
Fig. 3



VARIO 3-20 PVM 15 / PVM 20 / PVM 32

BOOSTER SETS - VARIABLE SPEED

PERFORMANCE



We reserve the right to change specifications without notice. Pump performance is subject to ISO 9906 ISO 9906:2012 - Grade 3B tolerances.

Type	Flow rate Q [m³/h]	0	6	12	18	24	30	36	42	48	57.6	200	400	600	800	1000	1200	1320	
VARIO3-20 PVM 15-3 F	Delivery head H [m]	39.8	39.6	39.2	37.8	36.3	34.1	31.0	26.8										
VARIO3-20 PVM 15-5 F		68.0	67.4	66.9	64.7	62.0	58.1	52.7	45.7										
VARIO3-20 PVM 15-7 F		96.2	95.3	94.7	91.6	87.7	82.0	74.4	64.6										
VARIO3-20 PVM 15-9 F		124.4	123.2	122.4	118.4	113.4	106.0	96.0	83.6										
VARIO3-20 PVM 15-12 F		166.6	165.0	163.9	158.8	151.9	141.9	128.6	112.0										
VARIO3-20 PVM 20-3 F		42.0	41.0	39.0	35.0	29.0	20.0												
VARIO3-20 PVM 20-5 F		72.0	70.0	68.0	62.0	50.0	35.0												
VARIO3-20 PVM 20-7 F		101.0	100.0	96.0	88.0	70.0	50.0												
VARIO3-20 PVM 20-10 F		146.0	144.0	139.0	127.0	106.0	74.0												
VARIO3-20 PVM 32-2 F		39.0								38.0	37.0	35.0	32.0	28.0	22.0	19.0			
VARIO3-20 PVM 32-4 F		76.0								76.0	75.0	72.0	67.0	59.0	48.0	40.0			
VARIO3-20 PVM 32-5 F		97.0								98.0	96.0	92.0	86.0	75.0	61.0	51.0			
VARIO3-20 PVM 32-3 F		58.0								58.0	57.0	54.0	49.0	43.0	35.0	30.0			
VARIO3-20 PVM 32-6 F		118.0								118.0	115.0	109.0	101.0	90.0	73.0	60.0			

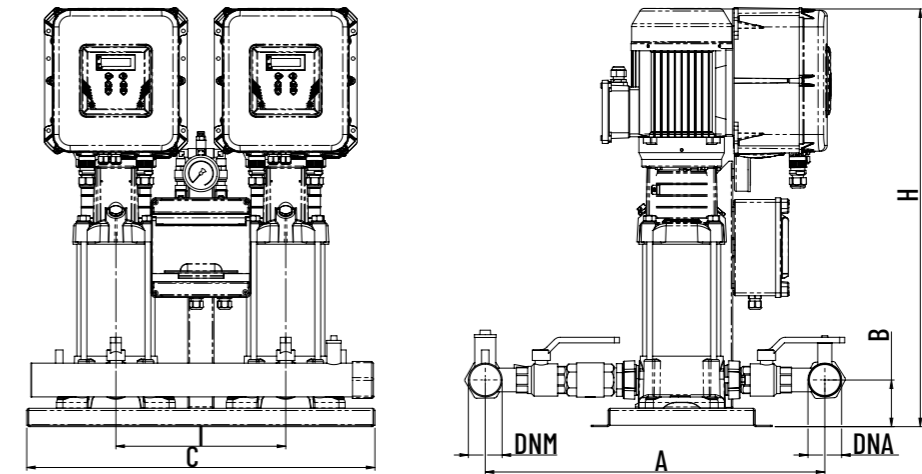
VARIO 3-20 PVM 15 / PVM 20 / PVM 32

BOOSTER SETS - VARIABLE SPEED

VARIO 3-20 PVM 15 / PVM 20 / PVM 32

Type	Code No.	Motor rating 2xP2	Current 2xl	Temperature of the liquid max.	Weight
VARIO3-20 PVM 15-3 F	UI700280	3.0 kW	5.1 A	120 °C	140 kg
VARIO3-20 PVM 15-5 F	UI700290	4.0 kW	8.5 A	120 °C	160 kg
VARIO3-20 PVM 15-7 F	UI700300	5.5 kW	12.0 A	120 °C	210 kg
VARIO3-20 PVM 15-9 F	UI700310	7.5 kW	15.0 A	120 °C	226 kg
VARIO3-20 PVM 15-12 F	UI700320	11.0 kW	20.0 A	120 °C	250 kg
VARIO3-20 PVM 20-3 F	UI700330	4.0 kW	8.5 A	120 °C	140 kg
VARIO3-20 PVM 20-5 F	UI700340	5.5 kW	11.9 A	120 °C	160 kg
VARIO3-20 PVM 20-7 F	UI700350	7.5 kW	15.3 A	120 °C	180 kg
VARIO3-20 PVM 20-10 F	UI700360	11.0 kW	20.4 A	120 °C	210 kg
VARIO3-20 PVM 32-2 F	UI700370	4.0 kW	7.1 A	120 °C	300 kg
VARIO3-20 PVM 32-4 F	UI700390	7.5 kW	14.3 A	120 °C	360 kg
VARIO3-20 PVM 32-5 F	UI700400	11.0 kW	17.8 A	120 °C	380 kg
VARIO3-20 PVM 32-3 F	UI700380	5.5 kW	10.7 A	120 °C	320 kg
VARIO3-20 PVM 32-6 F	UI700410	11.0 kW	21.4 A	120 °C	420 kg

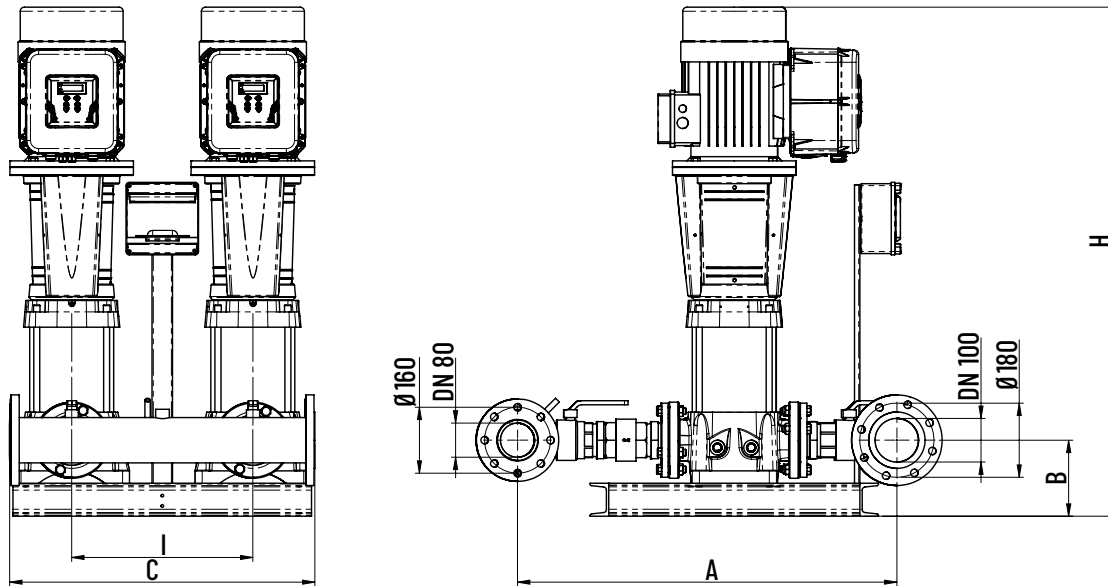
Fig.1



VARIO 3-20 PVM 15 / PVM 20 / PVM 32

BOOSTER SETS - VARIABLE SPEED

Fig.2



DIMENSIONS [mm]

Type	Fig.	A	B	C	H	I	DNA	DNM
VARIO3-20 PVM 15-3 F	1	850	125	710	816	360	3"	3"
VARIO3-20 PVM 15-5 F	1	850	125	710	913	360	3"	3"
VARIO3-20 PVM 15-7 F	1	850	125	710	1072	360	3"	3"
VARIO3-20 PVM 15-9 F	1	850	125	710	1182	360	3"	3"
VARIO3-20 PVM 15-12 F	1	850	125	710	1507	360	3"	3"
VARIO3-20 PVM 20-3 F	1	850	125	710	690	360	3"	3"
VARIO3-20 PVM 20-5 F	1	850	125	710	845	360	3"	3"
VARIO3-20 PVM 20-7 F	1	850	125	710	992	360	3"	3"
VARIO3-20 PVM 20-10 F	1	850	125	710	1122	360	3"	3"
VARIO3-20 PVM 32-2 F	1	950	185	750	982	440	4"	3"
VARIO3-20 PVM 32-4 F	2	950	185	750	1179	440	4"	3"
VARIO3-20 PVM 32-5 F	2	950	185	750	1472	440	4"	3"
VARIO3-20 PVM 32-3 F	2	950	185	750	1089	440	4"	3"
VARIO3-20 PVM 32-6 F	2	950	185	750	1542	440	4"	3"