

VARIO 3-30

BOOSTER SETS - VARIABLE SPEED

- Easy to install
- Low power consumption
- Versatile operation



DESCRIPTION

The new series of variable speed pressurization booster set VARIO 3-30 represents a reliable solution which is easy to use, for residential and industrial applications. The systems involves the installation of three pumps in parallel featuring electronic control. VARIO3 is an electronic device capable of changing the frequency of an pump. Integrated directly on the motor, it allows to adjust its speed so as to supply the same pressure at all times, even when the water demand changes.

When the system pressure drops below the set threshold, the module starts the first pump of the unit to restore to set-point pressure; the speed of rotation of the pump varies according to the water demand so, a greater demand will correspond to a higher speed, until the maximum speed set has been reached, after which, if the system requires greater performance, the module will activate the second and then the third pump to keep the pressure stable. As the water demand decreases, the speed of the last pump started is reduced, until it turns off. The module will keep the first pump on until the minimum set speed has been reached, after which, if there are no further requests for water, the pump will be stopped. VARIO3-30 features five operating modes to meet the operating needs.

MECHANICAL DATA

Operating pressure max.	16 bar	Type of liquid	clean water without suspended solids or abrasive material
-------------------------	--------	----------------	---

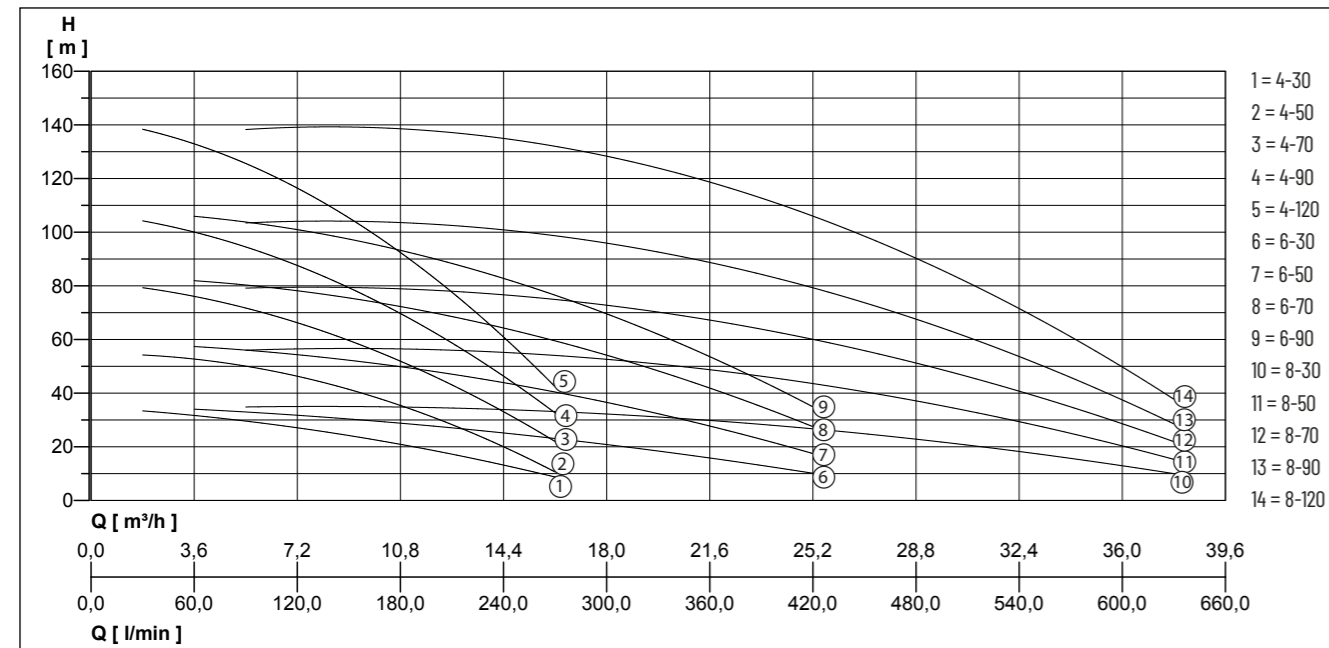
ELECTRICAL DATA

Voltage	3/N/PE-400 V	Ambient temperature max.	50 °C
Type of enclosure	IP 55		

VARIO 3-30 MULTINOX VE +

BOOSTER SETS - VARIABLE SPEED

PERFORMANCE



We reserve the right to change specifications without notice. Pump performance is subject to ISO 9906 ISO 9906:2012 - Grade 3B tolerances.

Type	Flow rate Q [m³/h]	1.8	3.6	5.4	7.2	9	10.8	12.6	14.4	16.2	18	21.6	25.2	27	32.4	37.8
VARIO3-30 MULTINOX VE+ 4-30	Delivery head H [m]	33	32	30	27	24	21	17	13	9						
VARIO3-30 MULTINOX VE+ 4-50		55	52	50	46	41	35	29	22	15						
VARIO3-30 MULTINOX VE+ 4-70		79	76	72	67	60	51	42	34	22						
VARIO3-30 MULTINOX VE+ 4-90		104	100	95	88	79	69	58	48	32						
VARIO3-30 MULTINOX VE+ 4-120		138	133	126	117	105	92	78	60	43						
VARIO3-30 MULTINOX VE+ 6-30			34	33	32	30	29	27	25	23	21	16	10			
VARIO3-30 MULTINOX VE+ 6-50			58	56	54	52	49	47	44	41	37	28	17			
VARIO3-30 MULTINOX VE+ 6-70			83	80	77	76	71	69	64	60	55	42	27			
VARIO3-30 MULTINOX VE+ 6-90			107	104	100	97	92	88	83	77	71	54	34			
VARIO3-30 MULTINOX VE+ 8-30				35	35	35	35	34	34	33	32	30	27	25	18	10
VARIO3-30 MULTINOX VE+ 8-50				57	56	56	56	56	55	54	53	50	44	40	28	16
VARIO3-30 MULTINOX VE+ 8-70				80	80	79	78	77	76	75	73	69	60	56	40	22
VARIO3-30 MULTINOX VE+ 8-90				104	104	104	103	103	101	98	94	90	82	73	52	29
VARIO3-30 MULTINOX VE+ 8-120				139	139	139	138	138	135	131	126	120	109	98	70	38

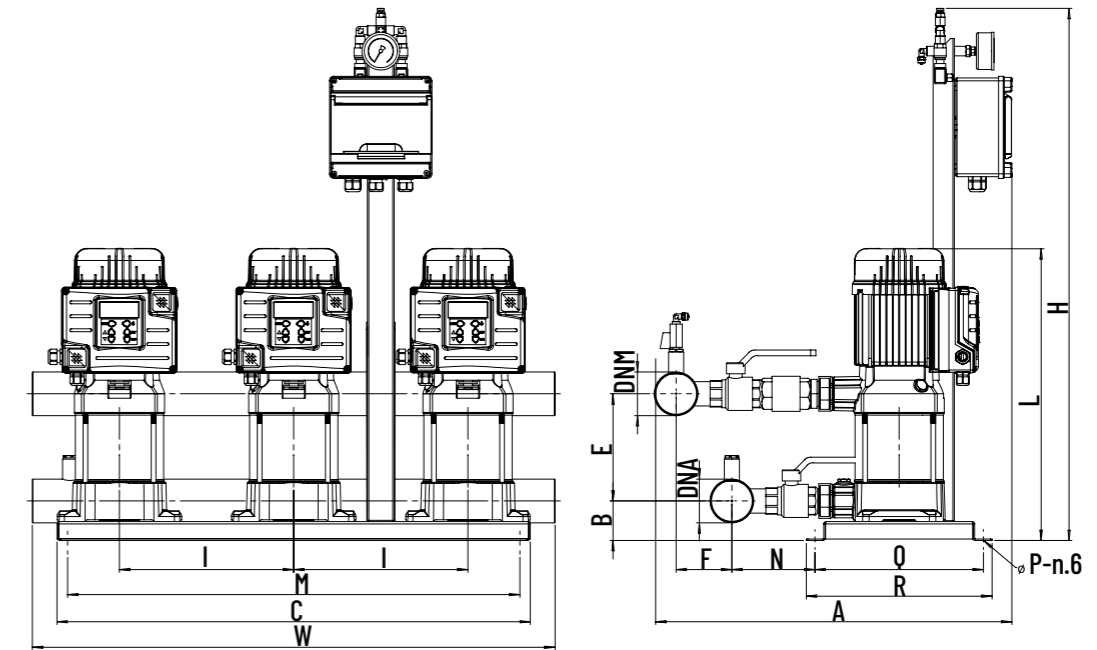
VARIO 3-30 MULTINOX VE +

BOOSTER SETS - VARIABLE SPEED

VARIO 3-30 MULTINOX VE +

Type	Code No.	Motor rating 3xP2	Current 3xI	Temperature of the liquid max.	Weight
VARIO3-30 MULTINOX VE+ 4-30	UI810280	0.7 kW	1.7 A	50 °C	116 kg
VARIO3-30 MULTINOX VE+ 4-50	UI810290	1.3 kW	3.0 A	50 °C	129 kg
VARIO3-30 MULTINOX VE+ 4-70	UI810300	1.3 kW	3.2 A	50 °C	141 kg
VARIO3-30 MULTINOX VE+ 4-90	UI810310	1.5 kW	4.0 A	50 °C	144 kg
VARIO3-30 MULTINOX VE+ 4-120	UI810320	1.5 kW	5.2 A	50 °C	150 kg
VARIO3-30 MULTINOX VE+ 6-30	UI810240	0.7 kW	2.3 A	50 °C	117 kg
VARIO3-30 MULTINOX VE+ 6-50	UI810250	1.3 kW	3.2 A	50 °C	129 kg
VARIO3-30 MULTINOX VE+ 6-70	UI810260	1.5 kW	3.6 A	50 °C	141 kg
VARIO3-30 MULTINOX VE+ 6-90	UI810270	1.5 kW	7.6 A	50 °C	144 kg
VARIO3-30 MULTINOX VE+ 8-30	UI810210	1.3 kW	2.1 A	50 °C	117 kg
VARIO3-30 MULTINOX VE+ 8-50	UI810220	1.5 kW	3.6 A	50 °C	129 kg
VARIO3-30 MULTINOX VE+ 8-70	UI810230	1.5 kW	5.0 A	50 °C	141 kg
VARIO3-30 MULTINOX VE+ 8-90	UI800180	3.0 kW	9.7 A	50 °C	178 kg
VARIO3-30 MULTINOX VE+ 8-120	UI800190	4.0 kW	12.3 A	50 °C	185 kg

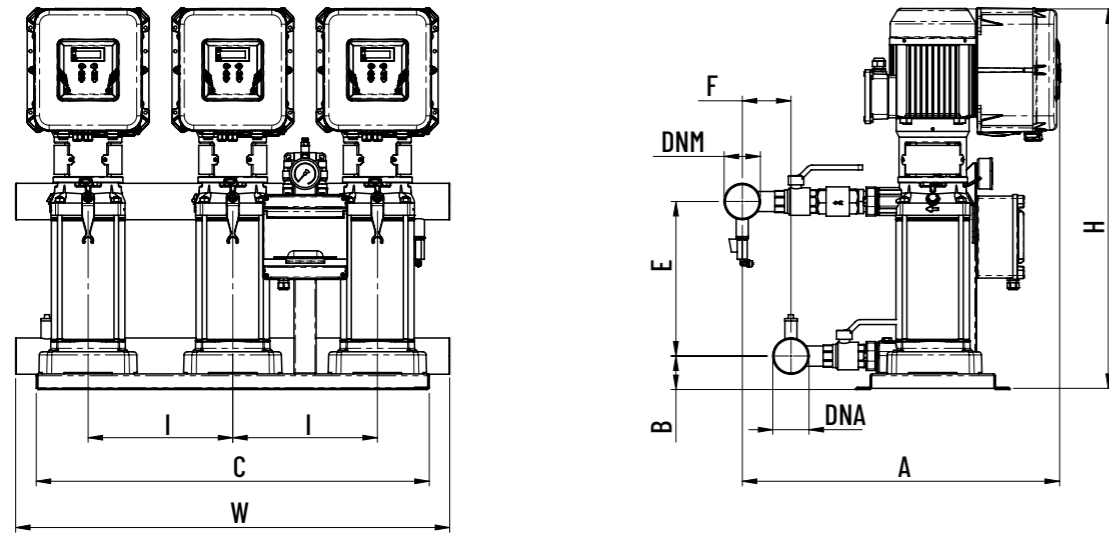
Fig. 1



VARIO 3-30 MULTINOX VE +

BOOSTER SETS - VARIABLE SPEED

Fig. 2



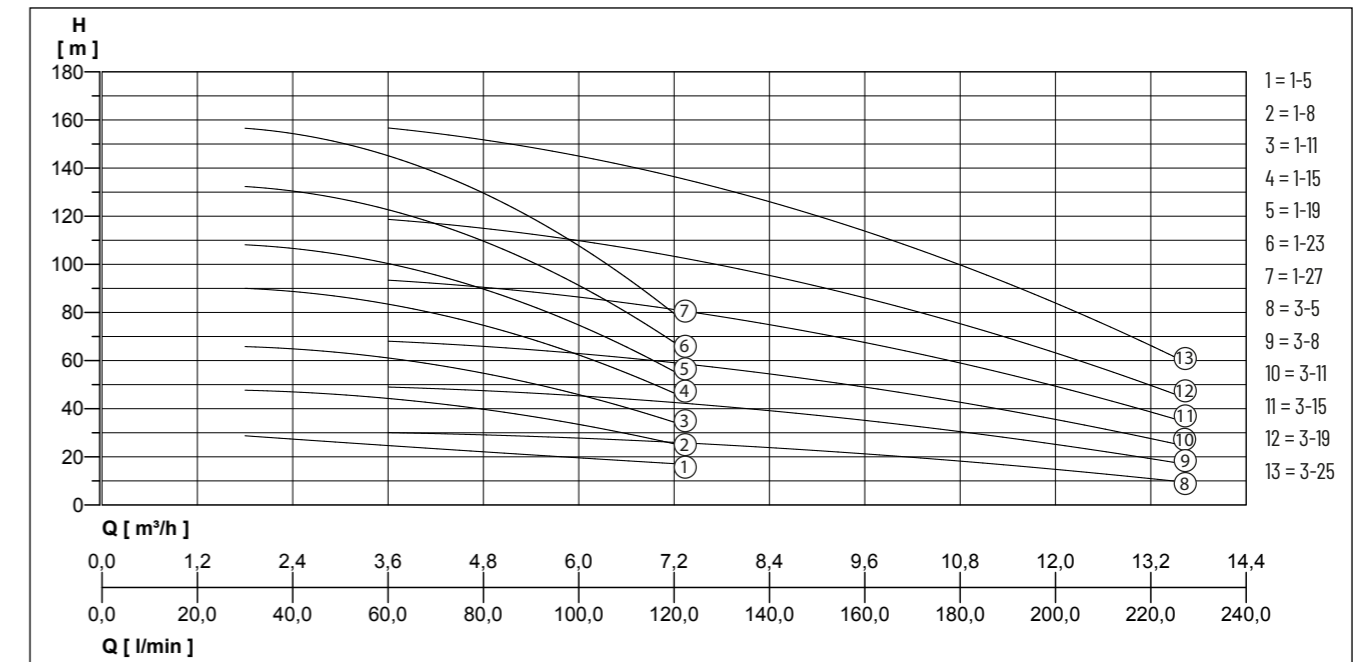
DIMENSIONS [mm]

Type	Fig.	A	B	C	F	H	I	L	M	N	P	Q	R	W	DNA	DNM	E
VARIO3-30 MULTINOX VE+ 4-30	1	615	68	815	96	910	300	449	778,5	145	10,5	290	320	900	2 1/2"	2 1/2"	130
VARIO3-30 MULTINOX VE+ 4-50	1	615	68	815	96	910	300	503	778,5	145	10,5	290	320	900	2 1/2"	2 1/2"	184
VARIO3-30 MULTINOX VE+ 4-70	1	615	68	815	96	910	300	557	778,5	145	10,5	290	320	900	2 1/2"	2 1/2"	238
VARIO3-30 MULTINOX VE+ 4-90	1	615	68	815	96	910	300	611	778,5	145	10,5	290	320	900	2 1/2"	2 1/2"	292
VARIO3-30 MULTINOX VE+ 4-120	1	615	68	815	96	910	300	693	778,5	145	10,5	290	320	900	2 1/2"	2 1/2"	373
VARIO3-30 MULTINOX VE+ 6-30	1	615	68	815	96	910	300	449	778,5	145	10,5	290	320	900	2 1/2"	2 1/2"	130
VARIO3-30 MULTINOX VE+ 6-50	1	615	68	815	96	910	300	503	778,5	145	10,5	290	320	900	2 1/2"	2 1/2"	184
VARIO3-30 MULTINOX VE+ 6-70	1	615	68	815	96	910	300	557	778,5	145	10,5	290	320	900	2 1/2"	2 1/2"	238
VARIO3-30 MULTINOX VE+ 6-90	1	615	68	815	96	910	300	611	778,5	145	10,5	290	320	900	2 1/2"	2 1/2"	292
VARIO3-30 MULTINOX VE+ 8-30	1	615	68	815	96	910	300	449	778,5	145	10,5	290	320	900	2 1/2"	2 1/2"	130
VARIO3-30 MULTINOX VE+ 8-50	1	615	68	815	96	910	300	503	778,5	145	10,5	290	320	900	2 1/2"	2 1/2"	184
VARIO3-30 MULTINOX VE+ 8-70	1	615	68	815	96	910	300	557	778,5	145	10,5	290	320	900	2 1/2"	2 1/2"	238
VARIO3-30 MULTINOX VE+ 8-90	2	697	68	815	96	765	300	765	778,5	145	10,5	290	320	900	2 1/2"	2 1/2"	292
VARIO3-30 MULTINOX VE+ 8-120	2	697	68	815	96	890	300	890	778,5	145	10,5	290	320	900	2 1/2"	2 1/2"	373

VARIO 3-30 PVM 1-3

BOOSTER SETS - VARIABLE SPEED

PERFORMANCE



We reserve the right to change specifications without notice. Pump performance is subject to ISO 9906 ISO 9906:2012 - Grade 3B tolerances.

Type	Flow rate Q [m³/h]	0	1.8	3.6	5.4	7.2	10.8	13.5
VARIO3-30 PVM 1-5 F	Delivery head H [m]	30.4	29.4	22.7	22.8	16.5		
VARIO3-30 PVM 1-8 F		48.8	47.6	44.5	36.6	25.5		
VARIO3-30 PVM 1-11 F		67.2	65.7	61.4	50.3	34.5		
VARIO3-30 PVM 1-15 F		91.6	89.9	83.8	68.6	46.6		
VARIO3-30 PVM 1-19 F		110.0	108.0	100.7	82.4	55.6		
VARIO3-30 PVM 1-23 F		134.5	132.2	123.1	100.7	67.7		
VARIO3-30 PVM 1-27 F		159.0	156.4	145.6	119.0	79.7		
VARIO3-30 PVM 3-5 F		31.9		30.0		26.2	18.0	10.0
VARIO3-30 PVM 3-8 F		51.9		48.9		42.9	30.1	17.8
VARIO3-30 PVM 3-11 F		71.8		67.9		59.6	42.1	25.7
VARIO3-30 PVM 3-15 F		98.4		93.2		81.9	58.2	36.1
VARIO3-30 PVM 3-19 F		125.0		118.4		104.2	74.3	46.5
VARIO3-30 PVM 3-25 F		164.9		156.3		137.6	98.4	62.1

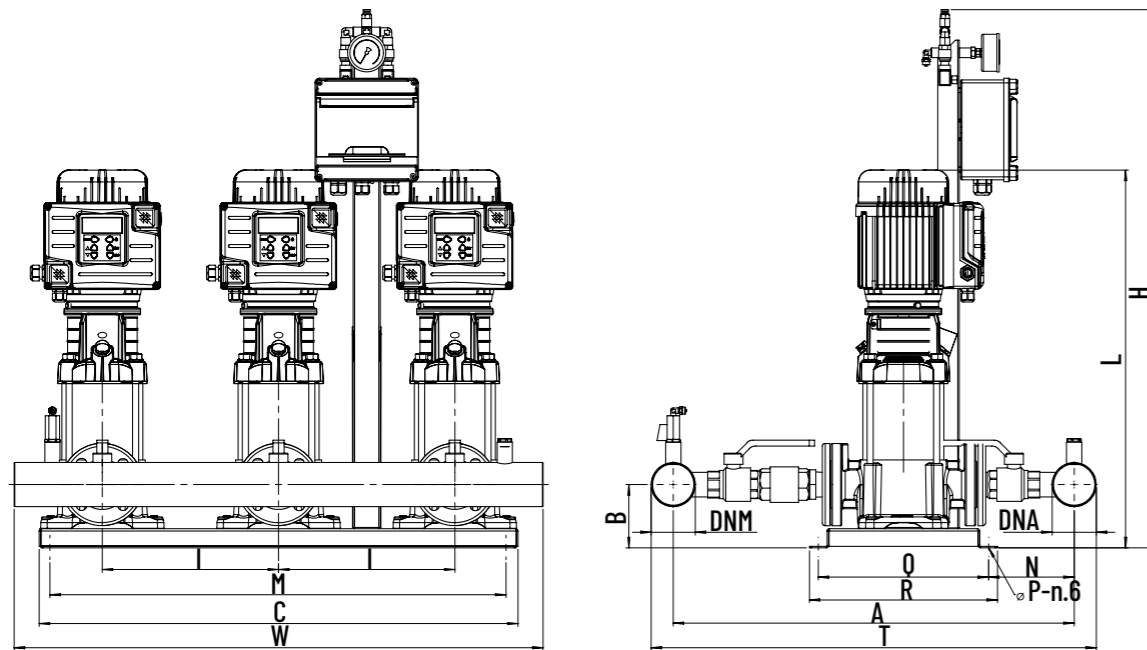
VARIO 3-30 PVM 1-3

Type	Code No.	Motor rating 3xP2	Current 3xl	Temperature of the liquid max.	Weight
VARIO3-30 PVM 1-5 F	UI810000	0.37 kW	1.50 A	120 °C	90 kg
VARIO3-30 PVM 1-8 F	UI810010	0.55 kW	2.30 A	120 °C	93 kg
VARIO3-30 PVM 1-11 F	UI810020	0.55 kW	3.20 A	120 °C	101 kg
VARIO3-30 PVM 1-15 F	UI810030	0.75 kW	4.40 A	120 °C	110 kg
VARIO3-30 PVM 1-19 F	UI810040	1.10 kW	5.50 A	120 °C	120 kg
VARIO3-30 PVM 1-23 F	UI810050	1.10 kW	6.70 A	120 °C	135 kg
VARIO3-30 PVM 1-27 F	UI810060	1.50 kW	7.80 A	120 °C	141 kg
VARIO3-30 PVM 3-5 F	UI810070	0.37 kW	0.90 A	120 °C	93 kg
VARIO3-30 PVM 3-8 F	UI810080	0.75 kW	1.45 A	120 °C	98 kg
VARIO3-30 PVM 3-11 F	UI810090	0.75 kW	2.00 A	120 °C	110 kg
VARIO3-30 PVM 3-15 F	UI810100	1.10 kW	2.70 A	120 °C	113 kg
VARIO3-30 PVM 3-19 F	UI810110	1.50 kW	3.40 A	120 °C	120 kg
VARIO3-30 PVM 3-25 F	UI810120	2.20 kW	4.50 A	120 °C	135 kg

VARIO 3-30 PVM 1-3

BOOSTER SETS - VARIABLE SPEED

Fig. 1



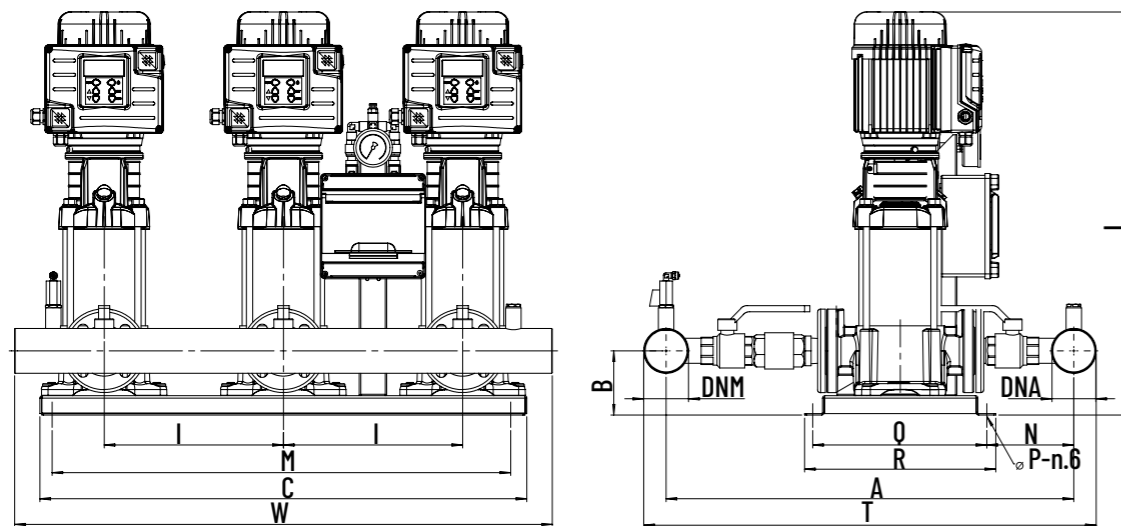
VARIO 3-30 PVM 1-3

BOOSTER SETS - VARIABLE SPEED

DIMENSIONS [mm]

Type	Fig.	A	B	C	H	I	L	M	N	P	Q	R	T	W	DNA	DNM
VARIO3-30 PVM 1-5 F	1	690	108	815	910	300	543	778,5	145	10,5	290	320	765	900	2 1/2"	2 1/2"
VARIO3-30 PVM 1-8 F	1	690	108	815	910	300	597	778,5	145	10,5	290	320	765	900	2 1/2"	2 1/2"
VARIO3-30 PVM 1-11 F	2	690	108	815	651	300	651	778,5	145	10,5	290	320	765	900	2 1/2"	2 1/2"
VARIO3-30 PVM 1-15 F	2	690	108	815	769	300	769	778,5	145	10,5	290	320	765	900	2 1/2"	2 1/2"
VARIO3-30 PVM 1-19 F	2	690	108	815	841	300	841	778,5	145	10,5	290	320	765	900	2 1/2"	2 1/2"
VARIO3-30 PVM 1-23 F	2	690	108	815	913	300	913	778,5	145	10,5	290	320	765	900	2 1/2"	2 1/2"
VARIO3-30 PVM 1-27 F	2	690	108	815	1033	300	1033	778,5	145	10,5	290	320	765	900	2 1/2"	2 1/2"
VARIO3-30 PVM 3-5 F	1	690	108	815	910	300	543	778,5	145	10,5	290	320	765	900	2 1/2"	2 1/2"
VARIO3-30 PVM 3-8 F	1	690	108	815	910	300	643	778,5	145	10,5	290	320	765	900	2 1/2"	2 1/2"
VARIO3-30 PVM 3-11 F	2	690	108	815	697	300	697	778,5	145	10,5	290	320	765	900	2 1/2"	2 1/2"
VARIO3-30 PVM 3-15 F	2	690	108	815	769	300	769	778,5	145	10,5	290	320	765	900	2 1/2"	2 1/2"
VARIO3-30 PVM 3-19 F	2	690	108	815	889	300	889	778,5	145	10,5	290	320	765	900	2 1/2"	2 1/2"
VARIO3-30 PVM 3-25 F	2	690	108	815	997	300	997	778,5	145	10,5	290	320	765	900	2 1/2"	2 1/2"

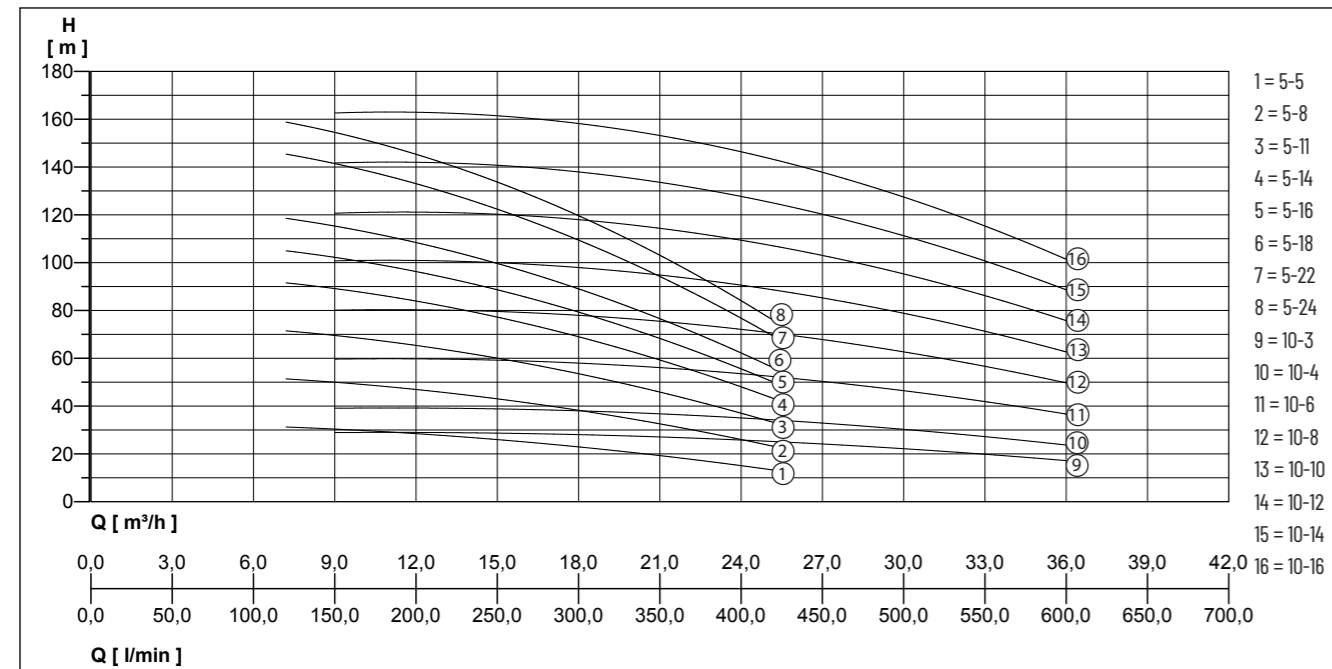
Fig. 2



VARIO 3-30 PVM 5-10

BOOSTER SETS - VARIABLE SPEED

PERFORMANCE



We reserve the right to change specifications without notice. Pump performance is subject to ISO 9906 ISO 9906:2012 - Grade 3B tolerances.

Type	Flow rate Q [m³/h]	0	7.2	9	10.8	14.4	18	21.6	25.2	27	36
VARIO3-30 PVM 5-5 F	Delivery head H [m]	32.0	31.0		30.0	30.0	29.0	28.0	13.5		
VARIO3-30 PVM 5-8 F		52.0	51.0		50.0	48.0	47.0	45.0	23.6		
VARIO3-30 PVM 5-11 F		74.0	72.0		70.0	69.0	68.0	65.0	33.8		
VARIO3-30 PVM 5-14 F		93.0	91.0		90.0	89.0	87.0	84.0	43.9		
VARIO3-30 PVM 5-16 F		107.0	105.0		101.0	102.0	98.0	95.0	50.7		
VARIO3-30 PVM 5-18 F		122.0	117.8		112.0	102.7	89.3	71.1	57.4		
VARIO3-30 PVM 5-22 F		149.0	144.5		137.4	126.1	110.0	87.6	70.9		
VARIO3-30 PVM 5-24 F		163.0	157.8		150.1	137.8	120.0	95.9	77.7		
VARIO3-30 PVM 10-3 F		28.6	29.0				27.8		24.4	17.1	
VARIO3-30 PVM 10-4 F		38.8	39.2				37.7		33.2	23.6	
VARIO3-30 PVM 10-6 F		59.2	59.8				57.5		50.8	36.5	
VARIO3-30 PVM 10-8 F		79.6	80.3				77.4		68.4	49.5	
VARIO3-30 PVM 10-10 F		99.9	101.0				97.2		86.0	62.4	
VARIO3-30 PVM 10-12 F		120.0	121.0				117.0		104.0	75.4	
VARIO3-30 PVM 10-14 F		141.0	142.0				137.0		121.2	88.3	
VARIO3-30 PVM 10-16 F		161.0	163.0				157.0		139.0	101.0	

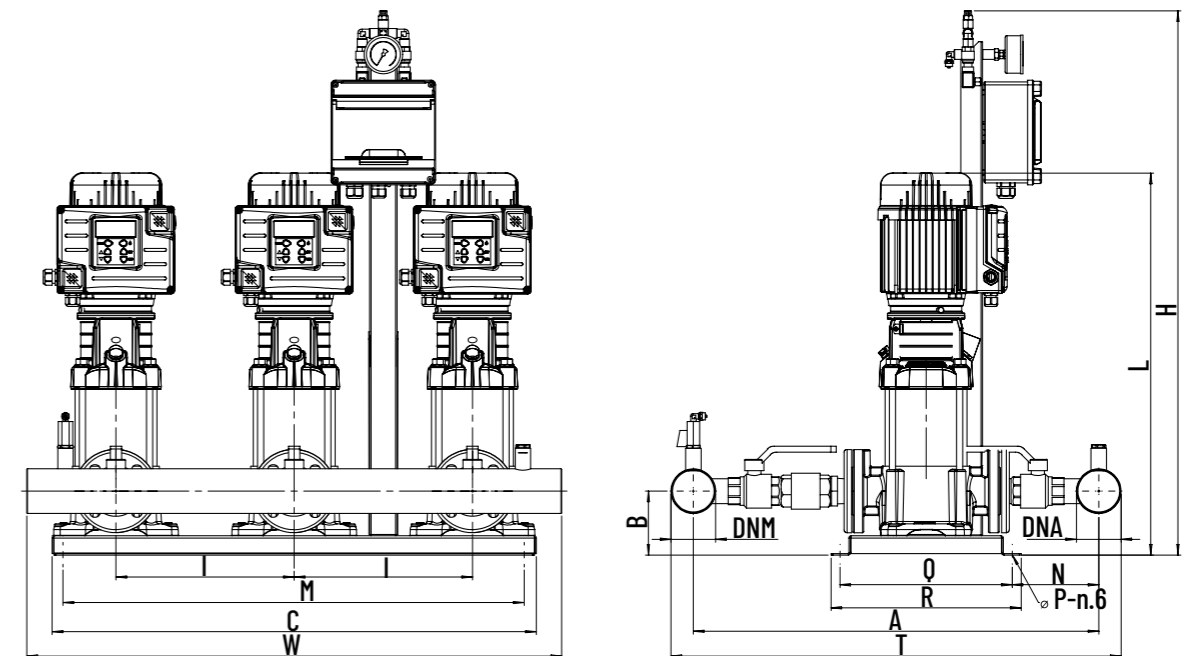
VARIO 3-30 PVM 5-10

BOOSTER SETS - VARIABLE SPEED

VARIO 3-30 PVM 5-10

Type	Code No.	Motor rating 3xP2	Current 3xl	Temperature of the liquid max.	Weight
VARIO3-30 PVM 5-5 F	UI810130	0.75 kW	1.7 A	120 °C	114 kg
VARIO3-30 PVM 5-8 F	UI810140	1.10 kW	2.7 A	120 °C	120 kg
VARIO3-30 PVM 5-11 F	UI810150	2.20 kW	3.7 A	120 °C	138 kg
VARIO3-30 PVM 5-14 F	UI810160	2.20 kW	4.8 A	120 °C	147 kg
VARIO3-30 PVM 5-16 F	UI810170	2.20 kW	5.4 A	120 °C	150 kg
VARIO3-30 PVM 5-18 F	UI800200	3.00 kW	6.1 A	120 °C	224 kg
VARIO3-30 PVM 5-22 F	UI800210	4.00 kW	7.5 A	120 °C	229 kg
VARIO3-30 PVM 5-24 F	UI800220	4.00 kW	8.2 A	120 °C	248 kg
VARIO3-30 PVM 10-3 F	UI810180	1.50 kW	2.4 A	120 °C	128 kg
VARIO3-30 PVM 10-4 F	UI810190	2.00 kW	3.2 A	120 °C	158 kg
VARIO3-30 PVM 10-6 F	UI810200	2.20 kW	4.8 A	120 °C	173 kg
VARIO3-30 PVM 10-8 F	UI800230	3.00 kW	6.4 A	120 °C	147 kg
VARIO3-30 PVM 10-10 F	UI800240	4.00 kW	8.0 A	120 °C	150 kg
VARIO3-30 PVM 10-12 F	UI800250	4.00 kW	9.6 A	120 °C	224 kg
VARIO3-30 PVM 10-14 F	UI800260	5.50 kW	11.2 A	120 °C	229 kg
VARIO3-30 PVM 10-16 F	UI800270	5.50 kW	12.8 A	120 °C	248 kg

Fig. 1



VARIO 3-30 PVM 5-10

BOOSTER SETS - VARIABLE SPEED

Fig. 2

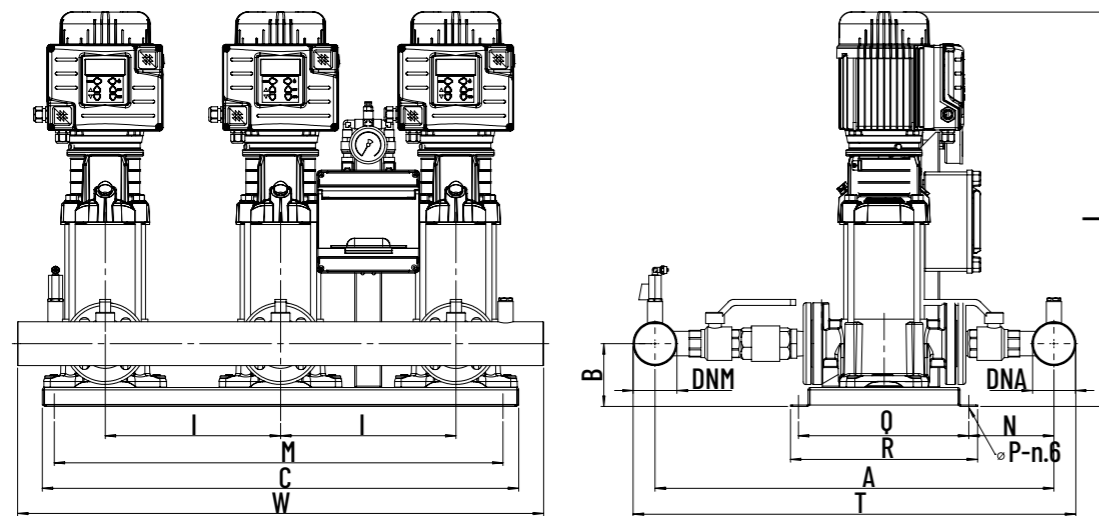
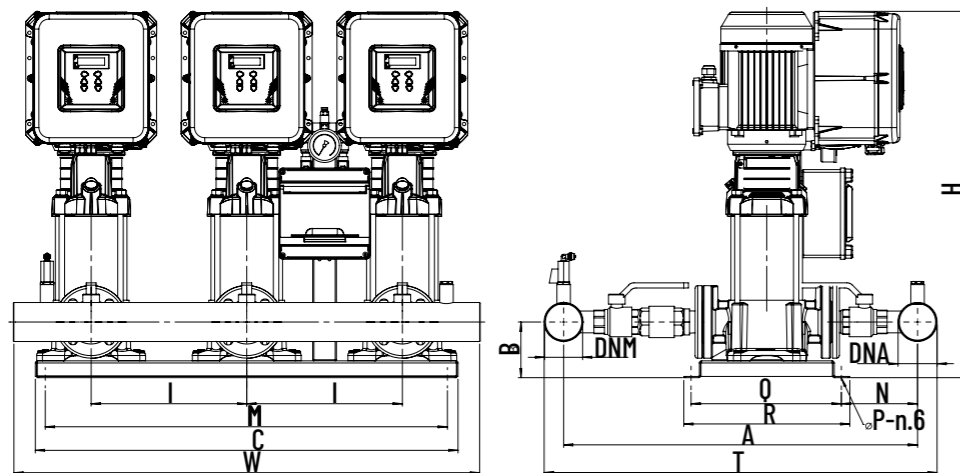


Fig. 3



VARIO 3-30 PVM 5-10

BOOSTER SETS - VARIABLE SPEED

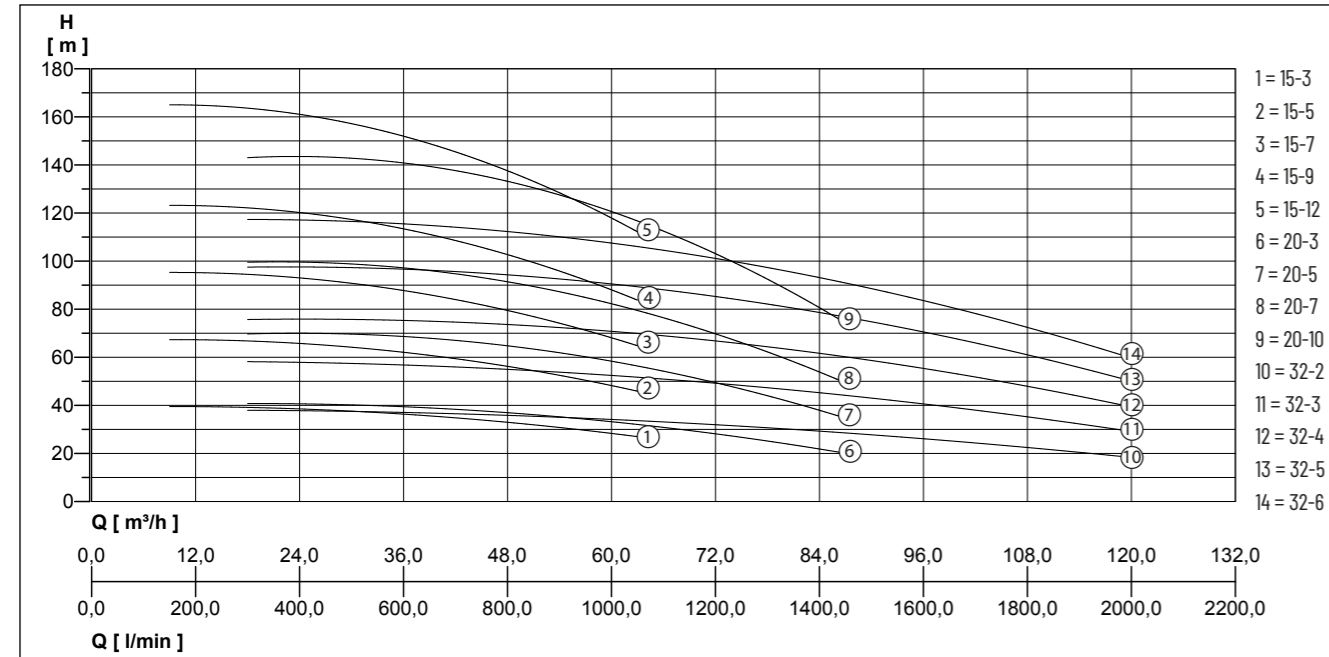
DIMENSIONS [mm]

Type	Fig.	A	B	C	H	I	L	M	N	P	Q	R	T	W	DNA	DNM
VARIO3-30 PVM 5-5 F	1	690	108	815	910	300	634	778,5	145	10,5	290	320	765	900	2 1/2"	2 1/2"
VARIO3-30 PVM 5-8 F	2	690	108	815	715	300	715	778,5	145	10,5	290	320	765	900	2 1/2"	2 1/2"
VARIO3-30 PVM 5-11 F	2	690	108	815	844	300	844	778,5	145	10,5	290	320	765	900	2 1/2"	2 1/2"
VARIO3-30 PVM 5-14 F	2	690	108	815	925	300	925	778,5	145	10,5	290	320	765	900	2 1/2"	2 1/2"
VARIO3-30 PVM 5-16 F	2	690	108	815	979	300	979	778,5	145	10,5	290	320	765	900	2 1/2"	2 1/2"
VARIO3-30 PVM 5-18 F	3	690	108	815	1091	300		778,5	145	10,5	290	320	765	900	2 1/2"	2 1/2"
VARIO3-30 PVM 5-22 F	3	690	108	815	1206	300		778,5	145	10,5	290	320	765	900	2 1/2"	2 1/2"
VARIO3-30 PVM 5-24 F	3	690	108	815	1260	300		778,5	145	10,5	290	320	765	900	2 1/2"	2 1/2"
VARIO3-30 PVM 10-3 F	1	720	113	1000	910	370	645	963,5	158	10,5	290	320	795	1040	2 1/2"	2 1/2"
VARIO3-30 PVM 10-4 F	2	720	113	1000	723	370	723	963,5	158	10,5	290	320	795	1040	2 1/2"	2 1/2"
VARIO3-30 PVM 10-6 F	2	720	113	1000	783	370	783	963,5	158	10,5	290	320	795	1040	2 1/2"	2 1/2"
VARIO3-30 PVM 10-8 F	3	720	113	1000	902	370		963,5	158	10,5	290	320	795	1040	2 1/2"	2 1/2"
VARIO3-30 PVM 10-10 F	3	720	113	1000	969	370		963,5	158	10,5	290	320	795	1040	2 1/2"	2 1/2"
VARIO3-30 PVM 10-12 F	3	720	113	1000	1029	370		963,5	158	10,5	290	320	795	1040	2 1/2"	2 1/2"
VARIO3-30 PVM 10-14 F	3	720	113	1000	1158	370		963,5	158	10,5	290	320	795	1040	2 1/2"	2 1/2"
VARIO3-30 PVM 10-16 F	3	720	113	1000	1218	370		963,5	158	10,5	290	320	795	1040	2 1/2"	2 1/2"

VARIO 3-30 PVM 15 / PVM 20 / PVM 32

BOOSTER SETS - VARIABLE SPEED

PERFORMANCE



We reserve the right to change specifications without notice. Pump performance is subject to ISO 9906 ISO 9906:2012 - Grade 3B tolerances.

Type	Flow rate Q [m³/h]	0	9	18	27	36	45	54	63	72	86.4	90	108	118.8
VARIO3-30 PVM 15-3 F	Delivery head H [m]	39.8	39.6	39.2	37.8	36.3	34.1	31.0	26.8					
VARIO3-30 PVM 15-5 F		68.0	67.4	66.9	64.7	62.0	58.1	52.7	45.7					
VARIO3-30 PVM 15-7 F		96.2	95.3	94.7	91.6	87.7	82.0	74.4	64.6					
VARIO3-30 PVM 15-9 F		124.4	123.2	122.4	118.4	113.4	106.0	96.0	83.6					
VARIO3-30 PVM 15-12 F		166.6	165.0	163.9	158.8	151.9	141.9	128.6	112.0					
VARIO3-30 PVM 20-3 F		42.0	41.0	39.0	35.0	29.0	20.0							
VARIO3-30 PVM 20-5 F		72.0	70.0	68.0	62.0	50.0	35.0							
VARIO3-30 PVM 20-7 F		101.0	100.0	96.0	88.0	70.0	50.0							
VARIO3-30 PVM 20-10 F		146.0	144.0	139.0	127.0	106.0	74.0							
VARIO3-30 PVM 32-2 F		39.0	38.0	37.0	35.0	32.0	28.0	22.0	19.0					
VARIO3-30 PVM 32-3 F		58.0	58.0	57.0	54.0	49.0	43.0	35.0	30.0					
VARIO3-30 PVM 32-4 F		76.0	76.0	75.0	72.0	67.0	59.0	48.0	40.0					
VARIO3-30 PVM 32-5 F		97.0	98.0	96.0	92.0	86.0	75.0	61.0	51.0					
VARIO3-30 PVM 32-6 F		118.0	118.0	115.0	109.0	101.0	90.0	73.0	60.0					

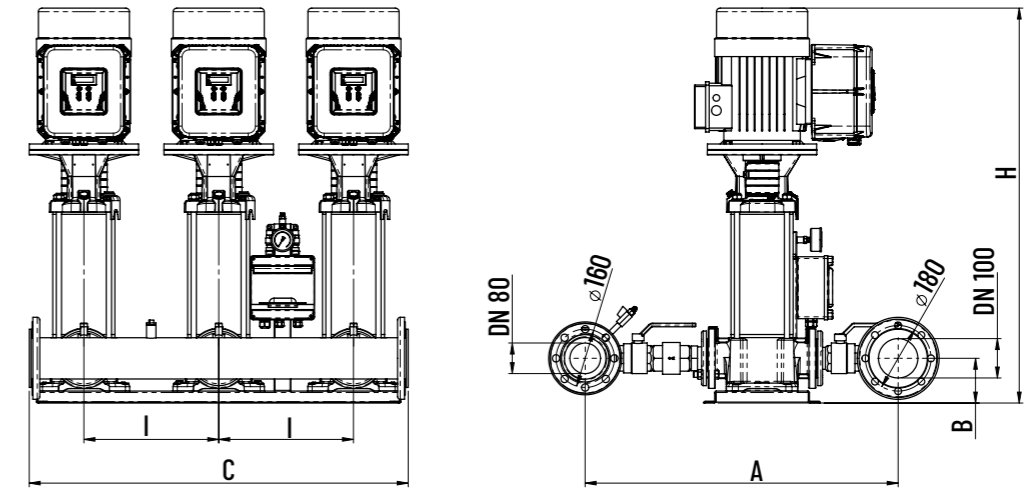
VARIO 3-30 PVM 15 / PVM 20 / PVM 32

BOOSTER SETS - VARIABLE SPEED

VARIO 3-30 PVM 15 / PVM 20 / PVM 32

Type	Code No.	Motor rating 3xP2	Current 3xl	Temperature of the liquid max.	Weight
VARIO3-30 PVM 15-3 F	UI800280	3.0 kW	5.1 A	120 °C	207 kg
VARIO3-30 PVM 15-5 F	UI800290	4.0 kW	8.5 A	120 °C	252 kg
VARIO3-30 PVM 15-7 F	UI800300	5.5 kW	11.9 A	120 °C	354 kg
VARIO3-30 PVM 15-9 F	UI800310	7.5 kW	15.3 A	120 °C	381 kg
VARIO3-30 PVM 15-12 F	UI800320	11.0 kW	20.4 A	120 °C	500 kg
VARIO3-30 PVM 20-3 F	UI800330	4.0 kW	8.5 A	120 °C	243 kg
VARIO3-30 PVM 20-5 F	UI800340	5.5 kW	11.9 A	120 °C	345 kg
VARIO3-30 PVM 20-7 F	UI800350	7.5 kW	15.3 A	120 °C	372 kg
VARIO3-30 PVM 20-10 F	UI800360	11.0 kW	20.4 A	120 °C	492 kg
VARIO3-30 PVM 32-2 F	UI800370	4.0 kW	7.1 A	120 °C	418 kg
VARIO3-30 PVM 32-3 F	UI800380	5.5 kW	10.7 A	120 °C	485 kg
VARIO3-30 PVM 32-4 F	UI800390	7.5 kW	14.3 A	120 °C	515 kg
VARIO3-30 PVM 32-5 F	UI800400	11.0 kW	17.8 A	120 °C	644 kg
VARIO3-30 PVM 32-6 F	UI800410	11.0 kW	21.4 A	120 °C	656 kg

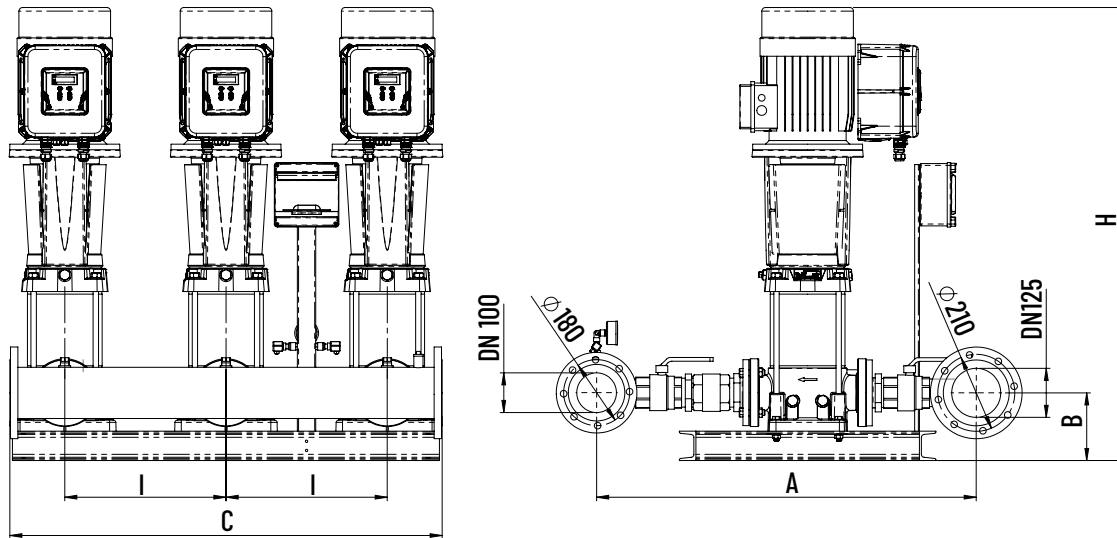
Fig.1



VARIO 3-30 PVM 15 / PVM 20 / PVM 32

BOOSTER SETS - VARIABLE SPEED

Fig.2



DIMENSIONS [mm]

Type	Fig.	A	B	C	H	I	DNA	DNM
VARIO3-30 PVM 15-3 F	1	860	125	1040	786	370	3"	3"
VARIO3-30 PVM 15-5 F	1	860	125	1040	883	370	3"	3"
VARIO3-30 PVM 15-7 F	1	860	125	1040	1042	370	3"	3"
VARIO3-30 PVM 15-9 F	1	860	125	1040	1152	370	3"	3"
VARIO3-30 PVM 15-12 F	1	860	125	1040	1417	370	3"	3"
VARIO3-30 PVM 20-3 F	1	860	125	1040	793	370	3"	3"
VARIO3-30 PVM 20-5 F	1	860	125	1040	952	370	3"	3"
VARIO3-30 PVM 20-7 F	1	860	125	1040	1062	370	3"	3"
VARIO3-30 PVM 20-10 F	1	860	125	1040	1387	370	3"	3"
VARIO3-30 PVM 32-2 F	2	1040	185	1180	982	440	4"	3"
VARIO3-30 PVM 32-3 F	2	1040	185	1180	1089	440	4"	3"
VARIO3-30 PVM 32-4 F	2	1040	185	1180	1179	440	4"	3"
VARIO3-30 PVM 32-5 F	2	1040	185	1180	1472	440	4"	3"
VARIO3-30 PVM 32-6 F	2	1040	185	1180	1542	440	4"	3"