

## CONTENTS

<p><b>Ch.1-</b> Features</p> <p><b>Ch.2 -</b> Limitations</p> <p><b>Ch.3 -</b> Installation</p> <p><b>Ch.4 -</b> Electrical connection</p>	<p><b>Ch.5 -</b> Starting the unit</p> <p><b>Ch.6 -</b> Maintenance and trouble shooting</p> <p><b>Ch.7-</b> D.R.O.P. system (electropump protection)</p>
--	---

***Warnings for the safety of individuals and things.***

***Please pay careful attention to the following signs and indications.***



**DANGER**  
Electric shock risk

Warns that the failure to follow directions may cause electric shock.



**DANGER**

Warns that failure to follow directions could cause serious risk to persons or things.



**WARNING**

Warns that failure to follow directions could damage the pump or installation.

**WARNING: Before installing this pump read this manual carefully. Any damage caused by failure to observe any directions in this manual will not be covered by warranty.**

## CH. 1 FEATURES

**MCX / MULTINOX / MULTINOX-VE** electropumps are suitable for pumping clear water that contains no dissolved gases.

The electropumps in this series are a multiphase centrifugal type.

Each electropump is carefully tested and packed.

Please ensure that the electropump has not been damaged during transport; if this occurs please phone the dealer, within 8 days from purchase date.

## CH. 2 LIMITATIONS



**WARNING**

**Electropump cannot be used to move inflammable or dangerous liquids.**



**WARNING**

**Ensure electropump never runs dry.**

MASSIMA MAX. TEMPERATURE OF LIQUID.....	50°C continuous operation
MAX. ROOM TEMPERATURE.....	40°C
MAX.ON/OFF CYCLES/HOUR.....	40 equally spaced
MAXIMUM SUCTION HEIGHT.....	6 m (MCX - MULTINOX VE) 5 m (MULTINOX)
MAXIMUM ADMITTED WORKING PRESSURE.....	MCX: 7 bar
	MULTINOX: 9 bar
	MULTINOX-VE: 9 bar

## CH. 3 INSTALLATION (see Fig. 5)



**DANGER**  
Risk of electric shock

When installing, please ensure electropump is disconnected from electrical supply.



**WARNING**

Protect the electropump and all pipes from bad weather or freezing conditions.



**DANGER** This appliance is not intended for use by persons (including children) with reduced physical, sensory or mental capabilities, or lack of experience and knowledge, unless they have been given supervision or instruction concerning use of the appliance by a person responsible for their safety.  
Children should be supervised to ensure that they do not play with the appliance.

**MCX / MULTINOX / MULTINOX-VE** series electropumps are not self-priming. It is advisable to install it under the level of the water. If the electropump is to be installed above the water level then a suction pipe should be used with a diameter equal to that of the suction duct for electropump. If the height **HA** is over 4 meters use a tube with a larger diameter (Fig. 5). The suction pipe must not have “goose-necks” or be inclined improperly in order to avoid the formation of air pockets. Make sure that the pipe is perfectly air tight. At one end of the suction tube install a foot valve with filter **(1)**. The pipe should be submerged at least 50 cm. into the liquid to be pumped **HI**, in order to avoid the formation of whirlwinds. To avoid load loss on delivery, a pipe with a diameter equal to or greater than the intake of electropump should be used. It is advisable to install a non-return valve directly on the delivery pipe, this makes it possible to eliminate any damage water hammers may cause to the electropump **(2)**. After the non-return valve an interception valve should be installed. The pipes must be placed so that their weight does not interfere with the electropump **(3)**. The delivery and suction pipes must travel the shortest distance with the fewest possible number of bends.

If the installation is fixed then the electropump should be blocked on the support surface. In order to reduce installation vibration the electropump should be connected with a length of flexible tubing and a layer of rubber or other anti-vibration material should be inserted between the electropump and the support surface. If the electropump is moveable (equipped with a handle) it can be used in a pool only if there are no people in it and if the installation is equipped with a shockproof switch.

Make sure that the motor is well ventilated.

## CH. 4 ELECTRICAL CONNECTION



**WARNING**

Ensure tension and frequency of electropump (read plate) and power supply are same.



**DANGER**  
Electric shock risk

Installer must make sure that electric current network has ground wire conforming to current laws.



**DANGER**  
Electric shock risk

Make sure that electric current network is provided with a high-sensitivity circuit breaker  $\Delta=30$  mA (DIN VDE 0100T739).

The single phase motors are protected from overloads by a thermal device installed in the winding. The protection for the three phase motor must be installed by the user.

The following must be used as a conductor for the connection:

- outdoors → cable H07RN-F
- in inside areas → cable H05RN-F or H07RN-F

For connecting single phase motors see Fig. 1

For connecting three phase motors see Fig. 2

For connecting double voltage single phase motors see Fig. 3

## CH. 5 STARTING THE UNIT (see Fig. 5)



**WARNING** Use the electropump for the applications listed on the nameplate.



**WARNING** Do not operate the pump dry, since lack of water could cause it to overheat. In this case, the water inside the system gets very hot, so there is a risk of scalding. Take off the plug and let the system cool down.



**WARNING** Do not run the electropump with a completely closed delivery.

Before starting the electropump fill the suction pipe and the electropump body with water by using the filling cap, making sure that there are no leaks, close the cap and start the electropump (4). Check that it rotates clockwise when looking at the electropump from the side of the motor fan. On the three phase electropumps it is possible to invert the rotation by changing the order of two phases. If the electropump is not used for long periods of time repeat the filling operations before starting it up.

## CH. 6 MAINTENANCE AND TROUBLE SHOOTING



**DANGER**  
Electric shock risk

**Before doing any operation, make sure machine is disconnected from electric power supply.**

Under normal conditions **MCX / MULTINOX / MULTINOX-VE** electropumps do not need any type of maintenance. In order to avoid possible failures, it is advisable to periodically check the pressure supplied and current absorption. A decrease in pressure is a symptom of wear. An increase in current absorption is a sign of abnormal mechanical friction in the pump and/or motor.

If the electropump is not going to be used for long periods of time (e.g. an entire season) it should be emptied completely, rinsed with clean water and put in a dry place.

PROBLEM	POSSIBLE CAUSE	REMEDY
THE ELECTROPUMP DOES NOT PUMP WATER THE MOTOR DOES NOT RUN	1) No power. 2) Motor protection tripped. 3) Defective condenser. 4) Shaft blocked.	1) Check if there is power and if the plug is plugged in properly. 2) Verify the cause and reset the switch. If the thermal has tripped wait until the system has cooled. 3) Replace the condenser. 4) Verify the cause and unblock the electropump.
THE MOTOR RUNS BUT THE ELECTROPUMP DOES NOT PUMP LIQUID	1) It is taking on air. 2) Wrong rotation direction.	1) - Make sure that the joints are airtight. - Check that the level of liquid has not dropped below the foot valve. - Check that the foot valve is airtight and is not blocked. 2) Reset the rotation direction.
THE ELECTROPUMP STOPS AFTER RUNNING FOR A SHORT PERIOD OF TIME BECAUSE ONE OF THE THERMAL MOTOR PROTECTION DEVICES TRIPS	1) Power supply does not conform to data on plate. 2) A solid object is blocking the impeller. 3) The liquid is too thick.	1) Check the voltage on the power supply conductor cables. 2) Dismantle the electropump and clean it. 3) Change electropump type.

If the problem has not been eliminated after carrying out the above operations contact the closest service centre.

## **CH. 7 D.R.O.P. SYSTEM (Electropump protection)**

If requested, **MCX** series electropumps can be equipped with a complete protection system called D.R.O.P., which protects the hydraulic parts from possible damage that can be caused by overheating of the liquid inside the electropump body.

This overheating can be the result of external causes (outside the electropump) or occur because the electropump stops priming and the liquid in the installation does not circulate, the electropump runs dry. The D.R.O.P. system is composed of a sensor mounted on the seal holder flange and fixed by two nuts. The wires of the sensor cross flange and reach the terminal of the motor.

The D.R.O.P. system is reset using the switch located on the box which holds the condenser.

Operation: when the temperature of the liquid inside the electropump reaches 60-70°C, D.R.O.P. interrupts the power supply to the motor, the electropump stops and the light next to the switch goes on. The electropump can only automatically start again when the system has cooled and if the power for the whole electropump unit is disconnected and then connected again.

### Restoring operation:

- put the switch on "0", unplug the plug;
  - remove causes of malfunction;
  - wait a few minutes, let the all the hydraulic part cool;
  - put the switch on "1", plug in the plug, the red light goes off and the electropump starts again.
- If the red light is still on, put the switch on "0", unplug the plug and repeat the start up operations after a few minutes.

A diagram of electrical connections is seen in Fig. 4.



Only for EU countries

Do not dispose of electric tools together with household waste material!

In observance of European Directive 2002/96/EC on waste electrical and electronic equipment and its implementation in accordance with national law, electric tools that have reached the end of their life must be collected separately and returned to an environmentally compatible recycling facility.

FIG. 1

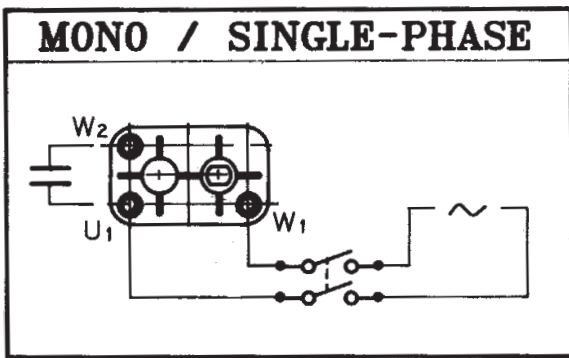


FIG. 2

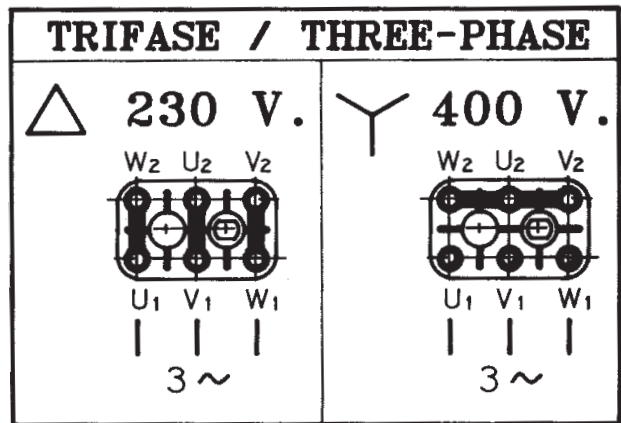


FIG. 3

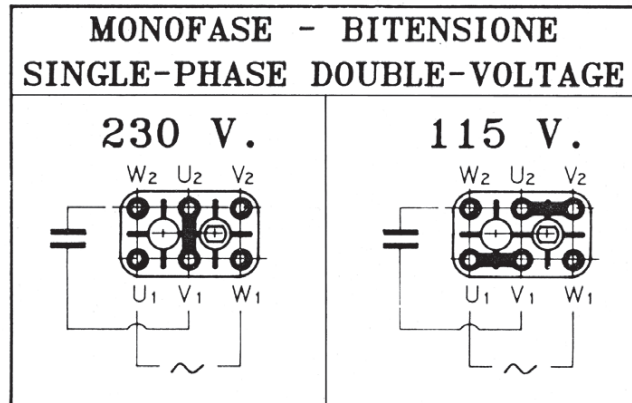


FIG. 4

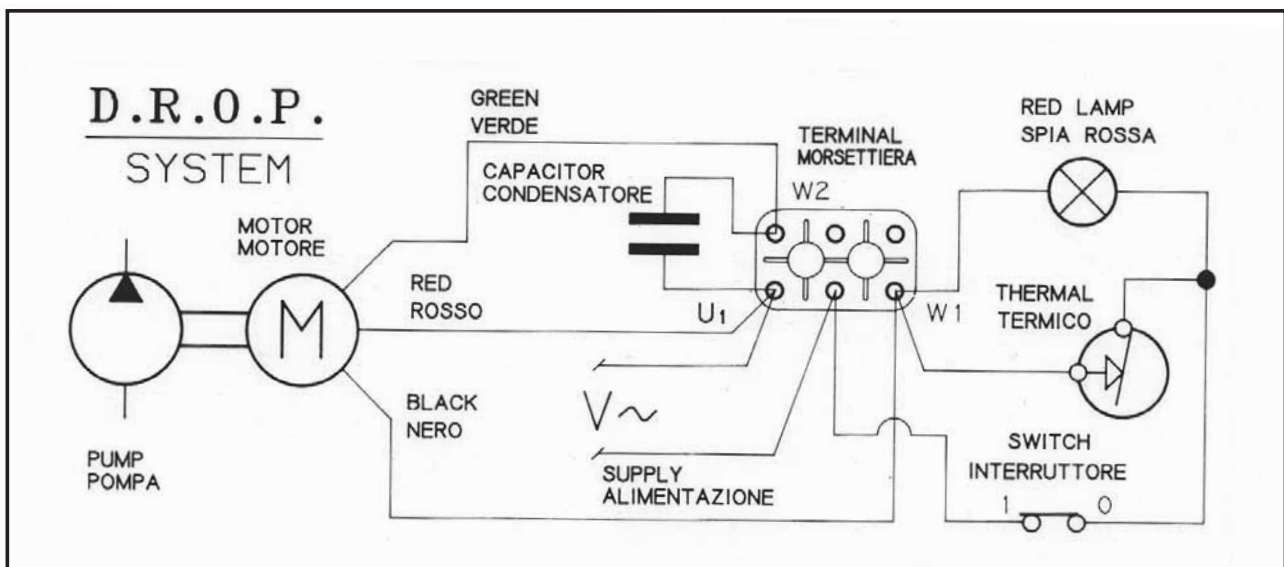
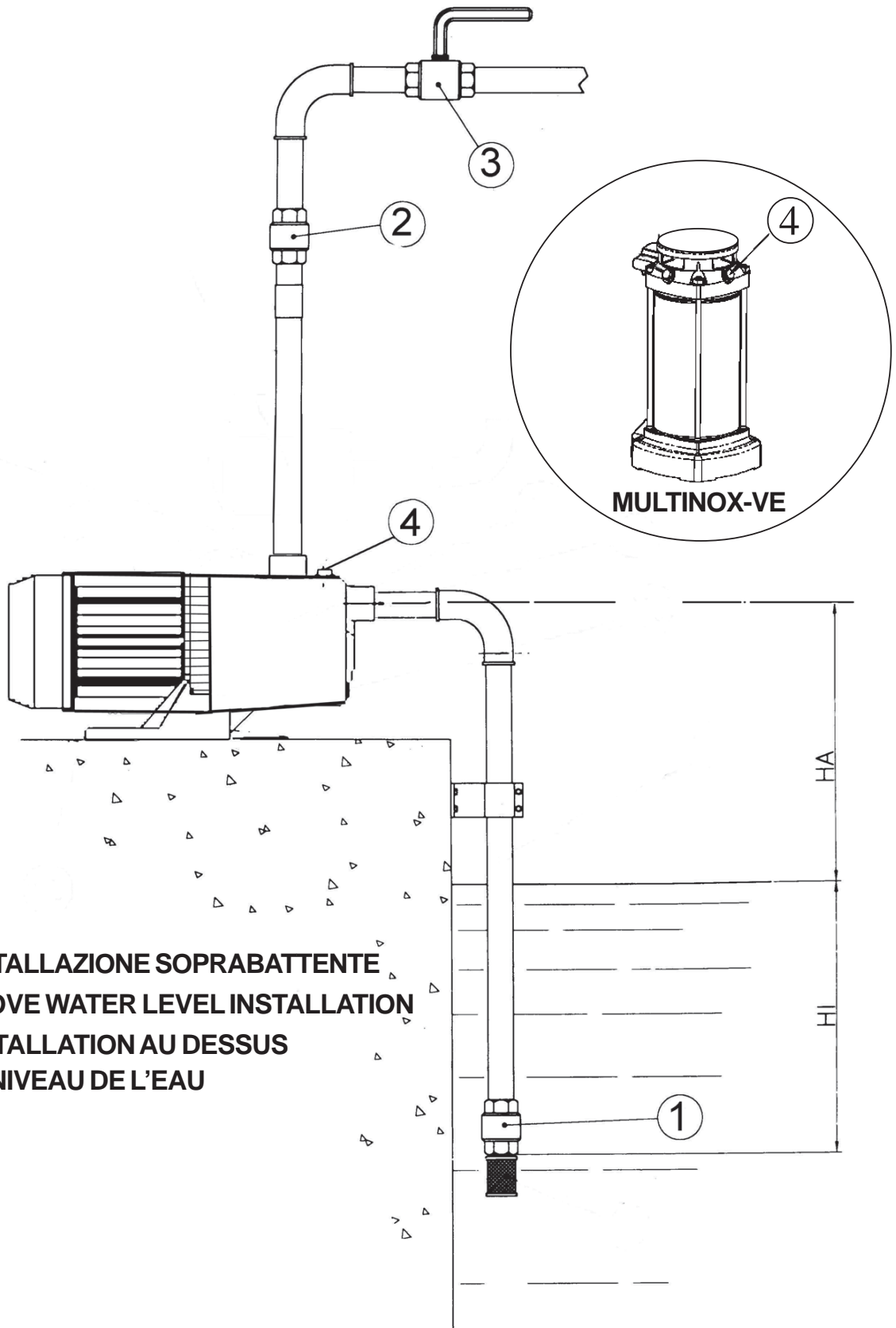


FIG. 5



- INSTALLAZIONE SOPRABATTENTE
- ABOVE WATER LEVEL INSTALLATION
- INSTALLATION AU DESSUS DU NIVEAU DE L'EAU

## I CONDIZIONI DI GARANZIA

Questo apparecchio è coperto da garanzia legale in base alle leggi e norme in vigore alla data e nel paese di acquisto, relativamente ai vizi e difetti di fabbricazione e/o del materiale impiegato. La garanzia si limita alla riparazione o alla sostituzione, presso i Centri Assistenza autorizzati da PENTAIR INTERNATIONAL S.a.r.l., della pompa o delle parti riconosciute mal funzionanti o difettose. I componenti soggetti ad usura quali, ad esempio, tenuta meccanica e controfaccia, anelli e guarnizioni di tenuta, girante e parte idraulica, membrane e cavi elettrici sono garantiti per un periodo non superiore alla loro vita utile. Per il corretto utilizzo e durata della pompa, nonché per usufruire del diritto alla garanzia, è necessario far revisionare ed eventualmente sostituire dai centri assistenza autorizzati tali parti, in funzione del loro utilizzo. Per esercitare il diritto di garanzia, in caso di guasto, rivolgetevi direttamente al Vostro rivenditore e/o al Centro Assistenza autorizzato. L'eventuale denuncia del prodotto ritenuto difettoso deve essere avanzata non appena viene riscontrata l'anomalia e comunque entro e non oltre i termini previsti dalla legge. Il diritto alla garanzia decorre dalla data di acquisto e deve essere dimostrato dall'acquirente mediante presentazione contestuale del documento comprovante l'acquisto: scontrino fiscale, fattura o documento di consegna. **La garanzia decade:** se il guasto è provocato da trattamenti o operazioni improprie e messa in opera o magazzinaggio errati, errori di collegamento elettrico o idraulico, mancata o inadeguata protezione. Se l'impianto o l'installazione dell'apparecchio non sono stati eseguiti correttamente. Se il guasto è dovuto a cause di forza maggiore o altri fattori esterni ed incontrollabili. Se il prodotto è utilizzato con liquidi abrasivi o corrosivi o diversi da quelli consentiti e comunque non compatibili con i materiali impiegati nella costruzione delle pompe. Nel caso di utilizzo del prodotto oltre i limiti dichiarati in targa o in condizioni non consentite e di interventi da parte dell'acquirente o di personale non autorizzato per smontaggio anche parziale del prodotto, modifiche o manomissioni. Se i materiali sono avariati a seguito del naturale logoramento. Ogni uso diverso da quello indicato sul manuale d'uso e manutenzione non è garantito se non espressamente indicato per iscritto dal produttore. Si raccomanda sempre di leggere attentamente e preventivamente il libretto di istruzioni. **Avvertenze:** Qualora il Vostro apparecchio non funzionasse, controllate che il mancato funzionamento non sia provocato da altri motivi, ad esempio interruzione dell'alimentazione di corrente apparecchi di controllo o di comando oppure manipolazione non appropriata. ricordarsi di allegare all'apparecchio difettoso la seguente documentazione: Ricevuta di acquisto (fattura, scontrino fiscale) descrizione dettagliata del difetto riscontrato

## GB WARRANTY CONDITIONS

This device is covered by legal warranty, based on the regulations and standards in force to date and in the country of purchase, as regards manufacturing and/or material defects. The warranty only covers fixing or replacement of the pump or defective parts, at the PENTAIR INTERNATIONAL S.a.r.l. authorized service centers. Components subject to wear, such as mechanical seal and counter face, sealing rings and gaskets, impeller and hydraulic part, membranes and electric cables are guaranteed for a period not exceeding their useful life. For a proper use and life of the product, and to make use of the warranty rights, have these parts inspected and optionally replaced at the authorized service centers, based on their use. To exercise warranty rights, in the event of fault please contact your retailer and/or the authorized service center. Any defects of the product should be reported as soon as the fault is discovered and in any event, within the terms set forth by law. The warranty is valid as of the date of purchase, as proved by the user submitting a purchase receipt, invoice or delivery note. **The warranty becomes void:** if the failure is caused by improper treatments or operations, incorrect startup or storage, wrong electric or hydraulic connections, failed or inappropriate protection; if the equipment installation or system were not performed correctly; if the failure is due to force majeure or external non-controllable factors; if the product is used with abrasive or corrosive liquids or other than those allowed, or in any event not compatible with the materials used in the pump construction; if the product is used besides the limits reported on the plate or in conditions not allowed and in the event of unauthorized interventions by the user or other personnel for even partial disassembly of the product, changes or tampering; if the materials are naturally worn. Any use differing from that indicated on the use and maintenance manual is not guaranteed, unless otherwise indicated in writing by the manufacturer. Please read the instruction manual carefully before using the product. **Warnings:** If the unit does not work, check whether the failure is due to other reasons, such as power supply failure, control or command equipment or wrong handling. Please enclose the following documents with the faulty equipment: Purchase receipt (invoice, slip) Detailed description of the fault found

## F CONDITIONS DE GARANTIE

Cet appareil est couvert par la garantie légale d'après les normes en vigueur à la date d'achat et dans le pays de destination, pour ce qui concerne les vices et les défauts de fabrication et/ou du matériel employé. La garantie se limite à la réparation ou au remplacement, dans les Centres d'Assistance Autorisés par PENTAIR INTERNATIONAL S.a.r.l., de la pompe ou des pièces dont on reconnaît le dysfonctionnement ou la défectuosité. Les composants sujets à usure comme, par exemple, la garniture mécanique et la contre-face, les anneaux et les joints d'étanchéité, la roue et la partie hydraulique, les membranes et les câbles électriques sont garantis pour une période non supérieure à leur durée de vie utile. Pour une utilisation correcte et une longue durée de ce produit, ainsi que pour bénéficier du droit à la garantie, il est nécessaire de faire réviser et éventuellement remplacer ces pièces dans les Centres d'Assistance Autorisés, en fonction de leur utilisation. Pour exercer le droit à la garantie, en cas de panne, adressez-vous directement à Votre revendeur et/ou au Centre d'Assistance Autorisé. Le retour éventuel d'un produit jugé défectueux devrait s'effectuer dès la constatation de l'anomalie et de toute façon dans les stricts délais prévus par la Loi. Le droit à la garantie prend effet à partir de la date d'achat et il doit être démontré par l'acheteur sur présentation du document prouvant l'achat : ticket de caisse, facture ou document de livraison. **La garantie tombe:** si la panne est provoquée par des traitements ou des opérations impropres et des mises en œuvre ou un stockage erronés, par des erreurs de raccordement électrique ou hydraulique, par une protection nulle ou inadéquate. Si l'installation ou la mise en place de l'appareil n'ont pas été correctement effectués. Si la panne est due à des causes de force majeure ou à d'autres facteurs externes et incontrôlables. Si le produit est utilisé avec des liquides abrasifs ou corrosifs ou différents de ceux qui sont admis et quoi qu'il en soit non compatibles avec les matériaux utilisés pour la construction des pompes. En cas d'utilisation du produit au-delà des limites nominales déclarées ou dans des conditions non admises et d'interventions de la part de l'acheteur ou d'un personnel non autorisé pour le démontage même partiel du produit, de modifications ou d'altérations. Si les matériaux sont détériorés suite à une usure naturelle. Tout usage différent de celui qui est indiqué dans le manuel d'utilisation et d'entretien n'est pas garanti s'il n'est pas expressément indiqué par écrit par le producteur. Nous recommandons toujours de lire attentivement et préalablement le manuel d'instruction. **Avertissements:** Dans le cas où votre appareil ne fonctionnerait pas, vérifiez que le dysfonctionnement n'est pas dû à d'autres raisons, par exemple à une coupure de courant, aux appareils de contrôle ou de commande défectueux ou bien à une manipulation non appropriée. Joindre impérativement à l'appareil défectueux les documents suivants: Reçu d'achat (facture, ticket de caisse) Description détaillée du défaut relevé.

## D GARANTIEBEDINGUNGEN

Dieser Apparat wird von der gesetzlichen Garantie gemäß den Gesetzen und Vorschriften gedeckt, die gültig sind am Tag und im Land des Erwerbs bezüglich der Mängel und Defekte der Fabrikation und/oder des verwendeten Materials. Die Gewährleistung beschränkt sich auf die Reparatur oder den Ersatz der Pumpe oder der als schlecht funktionierend oder defekt erkannten Teile bei den von PENTAIR INTERNATIONAL S.a.r.l., ermächtigten Kundendienstzentren. Die der Abnutzung unterliegenden Teile wie z. B. mechanische Halterung und Unterseite, Halteringsringe und -dichtungen, Antriebsrad und hydraulischer Teil, Membrane und hydraulische Kabel sind nur für ihre normale Lebensdauer garantiert. Für die korrekte Verwendung und Dauerhaftigkeit des Produktes sowie um das Garantierrecht in Anspruch nehmen zu können, ist es erforderlich, diese Teile je nach ihrem Gebrauch von den ermächtigten Kundendienstzentren revidieren oder ersetzen zu lassen. Um das Garantierrecht geltend zu machen im Falle eines Defekts wenden Sie sich direkt an Ihren Wiederverkäufer und/oder an das ermächtigte Kundendienstzentrum. Die allfällige Meldung der Mangelhaftigkeit des Produkts muss erfolgen, sobald die Unregelmässigkeit festgestellt wird, spätestens aber innert den vom Gesetz festgelegten Fristen. Das Recht auf Garantie beginnt vom Tag des Erwerbs an zu laufen und muss vom Erwerber bewiesen werden durch gleichzeitige Vorlage des Dokumentes, das den Erwerb beweist: Kassenzettel, Rechnung oder Lieferschein. **Die Garantie verfällt:** wenn der Defekt von ungeeigneten Behandlungen oder Tätigkeiten und falschen Inbetriebsetzungen oder Lagerungen herrührt, Fehlern beim elektrischen oder hydraulischen Anschluss, fehlendem oder unangemessenem Schutz. Wenn die Einrichtung oder die Installation des Geräts nicht korrekt ausgeführt worden sind. Wenn der Defekt auf Gründe höherer Gewalt oder andere externe und unkontrollierbare Faktoren zurückzuführen ist. Wenn das Produkt mit schmirgelnden oder korrosiven oder sonstwie unerlaubten Flüssigkeiten gebraucht wird, die nicht mit den beim Bau der Pumpen verwendeten Material kompatibel sind. Im Verfall der Verwendung des Produkts über die auf der Etikette bestimmte Frist hinaus oder unter nicht erlaubten Bedingungen und unter Eingriffen seitens des Erwerbers oder von nicht ermächtigtem Personal für die selbst teilweise Demontage des Produkts, Änderungen oder Aufbrechen. Wenn die Materialien beschädigt werden in Folge natürlicher Abnutzung. Jeder in der Gebrauchs- und Wartungsanweisung nicht vorgesehene Gebrauch ist nur garantiert, wenn er vom Produzenten schriftlich bestätigt wird. Man empfiehlt, das Bedienungsbüchlein stets achtsam und sorgsam zu lesen. **Hinweise:** Sollte Ihr Gerät nicht funktionieren, kontrollieren Sie bitte, ob das Fehlverhalten nicht auf Gründe zurückzuführen ist wie z. B. kein Strom beim Kontroll- oder Befehlsgerät oder unrichtige Handhabung. Legen Sie bitte dem defekten Gerät folgende Dokumente bei: Erwerbssquittung (Rechnung, Kassenzettel) genaue Beschreibung des festgestellten Fehlers

## E CONDICIONES DE GARANTÍA

Este equipo está cubierto con garantía legal según las leyes y normas vigentes a la fecha y en el país de adquisición, con referencia a los daños y defectos de fabricación y / o del material empleado. La garantía se limita a la reparación o a la sustitución, en los Centros de Asistencia autorizados por PENTAIR INTERNATIONAL S.a.r.l., de la bomba o de las partes reconocidas mal funcionantes o defectuosas. Los componentes expuestos a desgaste como, por ejemplo, sello mecánico y contracara, anillos y juntas de sello, rodete y parte hidráulica, membranas y cables eléctricos están garantizados por un periodo no superior a la vida útil de los mismos. Para la correcta utilización y duración del producto, como también para usufructuar del derecho a la garantía, es necesario hacer controlar y eventualmente sustituir en los centros de asistencia autorizados dichas partes, en función de la utilización. Para ejercer el derecho de garantía, en caso de averías, dirigirse directamente a su revendedor y / o al Centro de Asistencia autorizado. La eventual denuncia del producto considerado defectuoso debe presentarse apenas se encuentra el defecto y, de todas formas, dentro y no más allá de los términos establecidos por la ley. El derecho a la garantía inicia el mismo día de adquisición y debe ser probado por el comprador mediante la presentación contextual del documento comprobante la adquisición: resguardo fiscal, factura o documento de entrega. **La garantía caduca:** si la avería ha sido provocada por tratamiento u operaciones impropias y puesta en obra o almacenaje equivocado, errores de conexión eléctrica o hidráulica, sin o con inadecuada protección. Si el equipo o la instalación del aparato no han sido efectuados correctamente. Si la avería se debe a causas de fuerza mayor u otros factores externos e incontrolables. Si el producto viene utilizado con líquidos abrasivos o corrosivos o diversos de aquellos permitidos y de todas maneras incompatibles con los materiales utilizados en la construcción de las bombas. En caso de utilización del producto fuera de los límites declarados en placa o en condiciones no permitidas y de intervenciones de parte del comprador o de personal no autorizado al desmontaje también parcial del producto, modificaciones o adulteraciones. Si los materiales están deteriorados a continuación del natural desgaste. Un uso diverso de aquel indicado en el manual de uso y mantenimiento no viene garantizado si no expresamente indicado por escrito por el productor. Se aconseja siempre de leer con atención y preventivamente el manual de instrucciones. **Advertencias:** En el caso de que su equipo no funcionara, controlar que la inoperatividad no sea consecuencia de otras causas, como por ejemplo la interrupción de la alimentación de corriente, equipos de control o mando o también manipulación inadecuada. Recordarse de adjuntar con el equipo defectuoso la siguiente documentación: Recibo de compra (factura, resguardo fiscal) Descripción detallada del defecto individualizado

## **P** CONDIÇÕES DE GARANTIA

Este aparelho tem garantia legal, segundo as leis e as disposições vigentes na data e no país de compra, relativamente aos vícios e defeitos de fabrico e/ou do material utilizado. A garantia limita-se à reparação ou à substituição, nos Centros de Assistência autorizados pela PENTAIR INTERNATIONAL S.a.r.l., da bomba ou das partes julgadas com mau funcionamento ou defeituosas. Os componentes sujeitos a desgaste como, por exemplo, empanque mecânico e contraface, anéis e juntas de estanqueidade, rotor e secção hidráulica, membranas e cabos eléctricos estão garantidos por um período não superior à sua vida útil. Para a correcta utilização e duração do produto, como também para usufruir do direito à garantia, é necessário fazer a revisão e, eventualmente, substituir nos centros de assistência autorizados estas partes, em função da sua utilização. Para exercer o direito de garantia, em caso de avaria, dirija-se directamente ao revendedor e/ou ao Centro de Assistência autorizado. A eventual denúncia do produto julgado defeituoso tem que ser apresentada logo que for relevada a anomalia e, de qualquer maneira, dentro dos prazos previstos pela lei. O direito à garantia conta desde a data de compra e tem que ser demonstrado pelo comprador mediante apresentação contextual do documento comprovante à compra: recibo fiscal, factura ou documento de remessa. **A garantia declina:** se a avaria é provocada por tratamentos ou operações impróprias e colocação em funcionamento ou armazenamento incorrectos, erros de ligação eléctrica ou hidráulica, falta ou inadequada protecção. Se o equipamento ou a instalação do aparelho não tiverem sido efectuados correctamente. Se a avaria foi devida a causas de força maior ou outros factores externos e incontroáveis. Se foram utilizados líquidos abrasivos ou corrosivos ou diferentes aos permitidos no aparelho e, desta forma, não compatíveis com os materiais utilizados na construção das bombas. No caso de utilização do produto além dos limites declarados na plaqueta de classificação ou em condições não permitidas e de intervenções por parte do comprador ou do pessoal não autorizado para a desmontagem, mesmo que parcial do produto, modificações ou violações. Se os materiais são avariados em consequência do seu desgaste natural. Todo uso diferente do indicado no manual de uso e manutenção não é garantido, se não expressamente indicado por escrito pelo produtor. Recomenda-se sempre ler atenta e antecipadamente o livrete de instruções. **Advertências:** No caso de que o seu aparelho não funcione, verificar se a falta de funcionamento não foi provocada por outros motivos, por exemplo, interrupção da alimentação eléctrica dos aparelhos de controlo ou de comando ou manipulação não adequada. Lembrar de apresentar junto com o aparelho defeituoso a seguinte documentação: Recibo de compra (factura, recibo fiscal) descrição detalhada do defeito encontrado

## **NL** GARANTIEVOORWAARDEN

Dit apparaat heeft een wettelijke garantie volgens de geldende wetten en normen op datum en in het land van aankoop met betrekking tot fabricage- en/of materiaal fouten. De garantie is beperkt tot het repareren of vervangen van de pomp of van de onderdelen waarvan door een officieel PENTAIR INTERNATIONAL S.a.r.l. Assistentiecentrum is erkend dat ze slecht functioneren of defect zijn. De onderdelen die onderhevig zijn aan slijtage, zoals bijvoorbeeld mechanische afdichtingen, afdichtingsringen en pakkingen, de rotor en het hydraulische gedeelte, membranen en elektrische kabels, zijn gegarandeerd voor een periode die hun nuttige levensduur niet overschrijdt. Voor een correct gebruik, het garanderen van de juiste levensduur van het product en om gebruik te kunnen maken van het recht op garantie, dienen deze onderdelen te worden gereviseerd en indien nodig vervangen door een van de officiële assistentiecentra ten behoeve van hun gebruik. Om gebruik te maken van het recht op garantie dient u zich in geval van een defect rechtstreeks tot uw verkoper en/of het officiële assistentiecentrum te wenden. De eventuele claim voor het defecte product moet meteen na het optreden van de storing worden ingediend of in ieder geval binnen de daarvoor vastgestelde wettelijke termijn. Het recht op garantie treedt in werking op de datum van aankoop; de koper dient dit aan te tonen door gelijktijdig met de claim het aankoopbewijs te overhandigen: kassabon, factuur of leveringsbon. **De garantie vervalt:** als het defect wordt veroorzaakt door oneigenlijke hantering of handelingen en verkeerd gebruik of opslag, onjuiste elektrische of hydraulische aansluitingen, ontbrekende of ontoereikende beveiliging en als het apparaat niet correct is geïnstalleerd. Als het defect wordt veroorzaakt door overmacht of andere externe onbeheersbare factoren. Als het product wordt gebruikt met schurende of corrosieve vloeistoffen of andere vloeistoffen dan de toegestane die niet compatibel zijn met de materialen die voor de constructie van de pompen zijn gebruikt. Als de op het serieplaatje voorgeschreven limieten worden overschreden, als het apparaat wordt gebruikt in niet-toegestane omstandigheden en in het geval van handelingen door de koper of door niet-erkend personeel om het product geheel of gedeeltelijk te demonteren, aan te passen of te wijzigen. Als de materialen defect zijn als gevolg van hun natuurlijke slijtage. Geen enkel gebruik dat afwijkt van wat in de gebruiks- en onderhoudshandleiding staat, valt onder de garantie, tenzij dit uitdrukkelijk schriftelijk is vermeld door de producent. Het verdient altijd aanbeveling om van tevoren aandachtig de handleiding te lezen. **Waarschuwingen:** Als uw apparaat niet naar behoren functioneert, controleer dan eerst of de storing geen andere oorzaken heeft, zoals bijvoorbeeld het uitvallen van de stroom, controle-of besturingssapparatuur of onjuist gebruik. Vergeet niet de volgende documentatie bij het defecte apparaat te voegen: aankoopbewijs (factuur, kassabon) - nauwkeurige beschrijving van het defect.

## **DK** GARANTIBETINGELSER

Denne apparat er i henhold til de love og regler, der var gældende på tidspunktet for købet i det land, hvor købet blev foretaget, dækket af en juridisk garanti med hensyn til fejl og mangler ved fremstillinger og/eller ved det anvendte materiale. Garantien dækker udelukkende for reparation eller udskiftning af pumpen eller dårligt fungerende eller defekte dele på et Autoriseret PENTAIR INTERNATIONAL S.a.r.l. Servicecenter. For de dele, der udsættes for slitage, som f.eks. mekanisk tæthed og tæthed af bagside, tætningsringe og - pakninger, rotor og hydraulisk del, membraner og elektriske kabler, gælder garantien kun i løbet af deres almindelige levetid. For at opretholde produktets funktionsdygtighed i løbet af dets forventede levetid, samt for at blive ved med at have ret til garantien, skal man lade disse dele kontrollere og om nødvendigt udskifte på autoriserede servicecentre, efter behov i betragtning af anvendelsen. For at udøve garantiretten i tilfælde af skade, skal De henvende Dem direkte til Deres forhandler og/eller til det autoriserede servicecenter. En eventuel anmeldelse af et produkt, der anses for at være behæftet med fejl, skal foretages, så snart uregelmæssigheden konstateres, og under alle omstændigheder inden for de af loven fastsatte frister. Garantiretten løber fra købsdatoen, og køberen skal dokumentere sin ret ved forevisning af: bon, faktura eller leveringsdokument. **Garantien bortfalder:** Hvis fejlen skyldes uhensigtsmæssige behandlinger eller handlinger, forkert indretning eller opmagasinering, samt forkerte elektriske eller hydrauliske forbindelser, utilstrækkelig eller overhovedet ingen beskyttelse. Hvis apparatet ikke er indrettet eller installeret rigtigt. Hvis fejlen skyldes force majeure eller andre esterne faktorer, der ikke kan kontrolleres. Hvis produktet anvendes sammen med ætsende eller korroderende væsker eller væsker, der afviger fra de tilladte og som ikke er forenelige med pumpeernes fremstillingsmaterialer. Hvis produktet anvendes i strid med de på specifikationsmærket angivne grænser eller i utiladte omgivelser, eller hvis brugeren eller uautoriseret personale udfører hel eller delvis afmontering, ændring eller manipulering af produktet. Hvis materialerne ødelægges som følge af naturligt slid. Der garanteres på ingen vis for enhver anvendelse, der afviger fra angivelserne i betjenings- og vedligeholdelsesvejledningen, med mindre der leveres en udtrykkelig skriftlig tilladelse dertil af fabrikanten. Det tilrådes altid på forhånd at læse instruktionsbogen omhyggeligt. **Advarsler:** Såfremt Deres apparat ikke skulle virke, kontrolleres det, om den manglende funktion skyldes andre årsager, fx afbrydelse af strømtilførslen til overvågnings- eller betjeningsudstyr eller utilsigtet ændring. Husk at vedlægge det fejlbefættede apparat følgende dokumentation: kvittering for købet (faktura, bon) detaljeret beskrivelse af den konstaterede fejl

## **FIN** TAKUUEHDOT

Tämän laitteen kattaa hankintamaassa ostopäivänä voimassa olevien lakien ja normien mukainen takuu koskien materiaali- ja/tai valmistusvikoja. Takuu käsittää pumpun tai todetuista toimintahäiriöistä kärsivien taikka viallisten osien korjauksen tai vaihdon PENTAIR INTERNATIONAL S.a.r.l.:n valtuuttaman huoltoliikkeen toimesta. Kulutukselle alttiit laiteosat kuten esimerkiksi tiivistysohjetti ja takapinta, tiivistysrenkaat ja tiivisteet, juoksupyörä ja hydrauliset osat, kalvot ja sähkökaapelit, kuuluvat takuun piiriin niiden luonnollisen käyttöajan ajan. Laitteen tarkoituksenmukaisen hyödyntämisen ja kestävyysden sekä takuuoikeuden käytön vuoksi on välttämätöntä suorittaa laitteen tarkistus ja mahdollisesti vaihtaa valtuutettujen huoltoliikkeiden toimesta edellä mainitut laiteosat niiden käyttöasteen mukaisesti. Mikäli laite osoittautuu vialliseksi, voidaan takuuoikeutta käyttää kääntymällä suoraan jälleenmyyjän ja/tai valtuutetun huoltoliikkeen puoleen. Mahdollinen ilmoitus viallisena pidettävästä tuotteesta on tehtävä välittömästi viian ilmetessä ja kuitenkin lain säätämän määräajan puitteissa. Takuuoikeus on voimassa ostopäivästä lukien ja ostajan on osoitettava se esittämällä tosine hankinnasta: ostokuitti, lasku tai toimitusasiakirja. **Takuun raukeaminen:** takuu ei kata vikoja, jotka aiheutuvat väärästä käsittelystä tai vääristä toimenpiteistä, virheellisestä käyttöönnotosta tai varastoinnista, virheellisestä sähkö- tai hydraulikkennästä, puuttavasta tai epätarkoituksenmukaisesta suojuksesta. Takuu ei ole voimassa, jos asennus tai laitteen asentaminen ei ole suoritettu asianmukaisella tavalla. Jos vika johtuu ylipääsemättömästi esteestä tai muista ulkopuolisista tai hallitsemattomista tekijöistä. Jos tuotteesta on käytetty hankaavia tai syövyttäviä aineita tai aineita, jotka eivät ole sallittuja tai yhteensopivia pumpun valmistusmateriaalien kanssa. Takuu raukeaa siinä tapauksessa, että tuotteen käyttö ylittää tuotekilven osoittaman käyttörajoituksen tai sitä käytetään asiaankuulumattomissa olosuhteissa tai jos ostaja tai valtuuttamaton huoltohenkilö on suorittanut laitteeseen toimenpiteitä sen osittaiseksikin purkamiseksi, muuttamiseksi tai korjaamiseksi. Jos materiaalit ovat menneet pilalle niiden luonnollisen kulumisen ansiosta. Kaikkinaisen käyttö- ja huolto-oppaan vastainen käyttö on takuun ulkopuolella, ellei tätä ole selvästi ja kirjallisesti osoitettu laitevalmistajan toimesta. On aina suositeltavaa lukea huolellisesti käyttöohjeet ennen laitteen käyttöä. **Huomautuksia:** Mikäli laitteenne ei toimi asianmukaisesti tarkistakaa, ettei toimintahäiriö johdu muista syistä, kuten esim. sähkövirran katkoksesta valvonta- tai ohjauslaitteissa tai epäasianmukaisesta käsittelystä. Muistakaa liittää viallisen laitteen mukaan seuraavat asiakirjat: Ostosite (ostokuitti tai lasku) - yksityiskohtainen kuvaus havaitusta viasta

## **N** GARANTI

Denne apparat er dekket af en juridisk garanti i henhold til gjældende lover og forskrifter i brugerlandet på det tidspunkt som kjøpet ble foretatt. Garantien gjelder for fabrikkasjonsfeil og mangler og/eller feil ved materialet som er brukt. Garantien begrenser seg til reparasjon eller bytting ved serviceverksted godkjent av PENTAIR INTERNATIONAL S.a.r.l., av pumpen eller de deler som har funksjonsfeil eller er defekte. De komponentene som utsettes for slitasje som f.eks. mekanisk tetning og motflens, ringer og pakninger, rotor og hydraulisk enhet eller membraner og elektriske ledninger er garantert for en periode som ikke overskrider deres levetid. For korrekt anvendelse og for å sikre produktet en lengst mulig levetid, såvel som å kunne nyte godt av garantiretten, er det nødvendig å sørge for jevnlig kontroll og eventuell utskifting av slitte dele, ved et autorisert verksted. For å utøve den juridiske garantiretten dersom feil skulle oppstå, skal du henvende deg direkte til din forhandler og/eller til et autorisert serviceverksted. En eventuell klage på et antatt defekt produkt skal fremmes så snart uregelmessigheten oppdages og uansett innen det tidsrom som loven foreskriver. Garantiretten trår i kraft fra salgsdatoen og kjøperen må derfor presentere et salgsdokument som kvittering, faktura eller leveringsdokument. **Garantien er ikke gyldig:** dersom skaden skyldes uforutsiglig behandling eller feilinngrep, feilaktig lagring, feil elektrisk eller hydraulisk tilkobling eller manglende eller utilfredsstillende beskyttelse. Dersom koblingen og installasjonen av apparatet ikke er utført korrekt. Dersom skaden er forårsaket av tvingende grunn eller andre eksterne faktorer som ikke kan kontrolleres. Hvis det blir brukt slipemidler eller etsende væsker, eller andre midler enn de som er anbefalt og som ikke er egnet for materialene som er brukt under konstruksjon av pumpene. Dersom du bruker produkter som overskrider de grenser som er opplyst på skiltet eller under forhold som ikke er samtykket og ved inngrep foretatt av kjøper eller uautorisert personell for å demontere også deler av apparatet, eller dersom skaden skyldes naturlig slitasje på materialene. All bruk som skiller seg fra den som er indikert i manualen for bruk og vedlikehold er ikke garantert dersom det ikke foreligger en uttrykkelig skriftlig erklæring fra produsenten. Det anbefales at du alltid leser nøye gjennom instruksjonsmanualen på forhånd. **N:B.** Dersom apparatet ikke skulle fungere, kontroller at problemet ikke skyldes andre årsaker, for eksempel strøbrudd til kontroll/ kommando apparatene, eller feil håndtering. Husk og legge ved det defekte apparatet følgende dokumentasjon: Salgsdokument (faktura, kvittering) - Detaljert beskrivelse av defekten som er funnet.





## **(CZ) PODMÍNKY ZÁRUKY**

Tento přístroj podléhá zákonné záruce v souladu se zákony a normami platnými ke dni jeho zakoupení v zemi, kde byl zakoupen. Tato záruka se vztahuje na výrobní chyby a na vady použitého materiálu. Záruka je omezena na opravu nebo výměnu čerpadla nebo jeho částí, které jsou vystaveny opotřebení, jako např. mechanické těsnění a opravných autorizovaných firmou PENTAIR INTERNATIONAL S.a.r.l. Záruka na součásti, které jsou vystaveny opotřebení, jako např. mechanické těsnění a protipříruba, kroužky a těsnění, sací kolo a hydraulická část, membrány a elektrické kabely, je na dobu, která nepřesahuje délku životnosti těchto prvků. Za účelem správného použití a zachování životnosti výrobku, jakož i k možnosti uplatnění práva na záruku, je nutno, aby byly autorizovanými opravami prováděny kontroly a, v případě opotřebení, eventuelní výměna těchto součástí. Při uplatnění nároku na záruku se v případě poruchy obraťte přímo na vašeho prodejce a/nebo na autorizovanou opravnu. Případná reklamacie výrobku, který je považován za vadný, má být provedena okamžitě po zjištění závady a v každém případě v zákonem dané lhůtě. Právo na záruku začíná dnem nákupu a musí být kupujícím prokázáno současným předložením dokladu o nákupu: pokladní stvrzenkou, fakturou nebo dodacím listem. **Právo na záruku se pozbývá:** Jestliže je porucha způsobena nevhodnými zásahy nebo provozem, chybným uvedením do provozu, nesprávným skladováním, chybami v elektrickém nebo v hydraulickém zapojení, chybějící nebo nevhodnou ochranou. Jestliže instalace zařízení nebyla správně provedena. Jestliže je porucha zapříčiněna působením vyšší moci nebo jinými vnějšími a nekontrolovatelnými faktory. Jestliže je výrobek používán s abrazivními, korozivními nebo s jinými než povolenými kapalinami, jejichž použití není slučitelné s materiály použitými ke konstrukci čerpadel. V případě používání výrobku mimo specifikace uvedené na štítku nebo v nedovolených podmínkách a v případě takových zásahů ze strany kupujícího nebo ze strany nepovolaných osob, jako je demontáž výrobku (i částečná), modifikace výrobku nebo jeho poškození. Jestliže dojde k poruše následkem přirozeného opotřebení. Každé použití odlišné od toho, které je uvedeno v Pokynech k provozu a údržbě, nepodléhá záruce, pokud tak není výrobcem výslovně a písemně stanoveno. Doporučujeme, abyste si vždy předem pozorně přečetli Návod k obsluze. **Upozornění:** Jestliže vaše zařízení nefunguje, ověřte, zda poruchu funkce nezpůsobily vnější příčiny, např. přerušeni dodávky elektrického proudu, kontrolní nebo řídicí zařízení nebo nevhodné používání. Nezapomeňte přiložit k vadnému zařízení následující dokumentaci: Doklad o nákupu (faktura, daňový doklad) Podrobný popis zjištěné vady

## **(TR) GARANTI SARTLARI**

Bu cihaz, satın alım ükesinde satış tarihinde yürürlükteki yasa ve standartlara göre üretim ve/veya malzeme hatalarından meydana gelebilecek arızalara karşı garantilidir. Bu garanti PENTAIR INTERNATIONAL S.a.r.l. yetkili servis merkezlerince pompa veyabunun arızalı parçaların tamiri veya değiştirilmesi ile sınırlıdır. Örneğin Conta, halka ve sızdırmaz conta, pervane ve hidrolik kısım, membran ve elektrik kabloları gibi aşınmaya maruz kalan parçalar normal kullanım sürelerini aşmamak suretiyle garanti kapsamındadırlar. Cihazı doğru ve uzun bir süre kullanabilmek ve garanti hakkından yararlanmak için, bu parçaları kullanım alanlarına göre yetkili servis merkezlerinde bakım yaptırınız ve gerekirse değiştiriniz. Garantiden istifade edebilmek için, arıza halinde doğrudan doğruya bayinize ve/veya Yetkili Servis Merkezine başvurunuz. Ayıplı ürün hakkındaki şikayetinizi hatayı tespit eder etmez ve her hal-i karda yasanın öngördüğü süre içinde bildiriniz. Garanti kapsamı ürünün satın alım tarihinden itibaren başlamakta olup, alıcının bu tarihi kasa fişi, fatura veya teslim belgesi gibi bir evrakla kanıtlanması gerekmektedir. **Aşağıdaki durumlar garanti dışıdır:** arızanın ugun olmayan bakım veya kullanım, yanlış depolama, hatalı elektrik veya su bağlantısı, eksik ve yetersiz korumadan kaynaklanması halinde. Cihazın bağlantısı veya montajı doğru bir şekilde yapılmamış ise. Arıza mücbir veya başka dış ve kontrol edilemez sebepten kaynaklanıyor ise. Ürünün aşındırıcı veya eritici, izin verilen dışında veya pompa yapımında kullanılan malzeme ile uyumlu olmayan bir sıvı ile birlikte kullanılması halinde. Plakada belirtilen limitler dışında veya izin verilmeyen şartlarda kullanılması, alıcı veya yetkili olmayan personel tarafından tamamen veya kısmen sökülmesi veya üzerinde değişiklik yapılması halinde. Malzemelerin normal aşınma ve yıpranma sebebiyle hasar görmesi halinde. Kullanım ve bakım kılavuzunda belirtilen kullanım dışındaki kullanım, üretici tarafından aksi yazılı olarak belirtilmedikçe garanti kapsamı dışındadır. Cihazı kullanmadan önce kullanımı el kitabını dikkatle okumanızı tavsiye ederiz. **Uyarılar:** Cihazınız çalışmadığı takdirde, çalışmama nedeninin akım kesilmesi, kontrol veya kumanda cihazları veya uygun olmayan kullanım gibi başka sebeplerden kaynaklanıp kaynaklanmadığını kontrol ediniz. Ayıplı cihaza aşağıda gösterilen belgeleri eklemenizi unutmayınız:: Satın alım belgesi (fatura, kasa fişi) Arızanın ayrıntılı tarifi

## **(RUS) УСЛОВИЯ ГАРАНТИИ**

Насосный агрегат гарантирован от любого дефекта изготовления в соответствии с законами и нормами, действующими в стране покупки; гарантия покрывает неисправности и дефекты изготовления и использованного материала. Наша гарантия предусматривает замену и ремонт насосного агрегата или дефектных частей на нашем предприятии, а также в специальных центрах сервиса, уполномоченных фирмой «PENTAIR INTERNATIONAL S.a.r.l.». Составные части, подвергающие износу, такие как торцевое уплотнение, уплотнительные кольца, прокладки, рабочие колеса, гидравлические детали, резиновые мембраны, и электрические кабели, являются расходными материалами и гарантия на их замену не распространяется. Для правильной эксплуатации изделия, а также для пользования правом на гарантию, рекомендуется проверить и, при необходимости, заменить вышеуказанные части, в зависимости от их применения, обращаясь в официальные центры техобслуживания. Для пользования правом на гарантию, в случае возникновения неисправностей, непосредственно обратитесь к вашему продавцу и/или в официальный центр техобслуживания. Необходимо заявить о возможном дефекте незамедлительно после его обнаружения и, во всяком случае, не позже предусмотренных законом сроков. Право на гарантию вступает в силу с момента покупки и должно быть доказано покупателем предъявлением документов, полученных при покупке: товарный чек, счет-фактура или накладная. **Гарантийному ремонту** не подлежат поломки, возникшие по следующим причинам: неправильное подключение к электросети, отсутствие надлежащей защиты, дефектный монтаж, неправильно выполненная наладка, работа без воды, попадание посторонних предметов в корпус насосного агрегата и воды (влаги) в электрическую часть насосного агрегата, форс-мажорное или иное непредвиденное обстоятельство, перекачивание абразивных и коррозионных жидкостей, не совместимых с материалами, применяемыми для изготовления насосов, эксплуатация несоответствующая техническим данным и условиям, указанными в паспорте. **ОСОБЕННОСТИ:** гарантия не действительна, если насос был разобран, отремонтирован или испорчен покупателем. Применение, отличающееся от применения, указанного в паспорте и руководстве по эксплуатации и обслуживанию, покрывается гарантией только в том случае, если письменно заверенное изготовителем. До монтажа насоса внимательно ознакомьтесь с содержанием настоящего руководства. **Внимание:** Если насос не включается, проверьте наличие иных факторов, например, прекращение подачи тока к контрольному или командным приборам или совершение неправильных действий по отношению к прибору. При обращении к сервисному центру необходимо предъявить вместе с неисправным прибором следующую документацию: товарный чек или счет-фактуру или накладную; подробное описание обнаруженной неисправности.



**NOCCHI**<sup>®</sup>  
Pentair Water

**PENTAIR INTERNATIONAL S.a.r.l.**  
Avenue de Sevelin, 18  
1004 LAUSANNE  
Switzerland